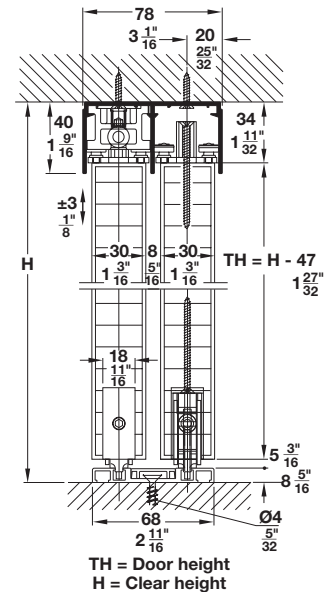
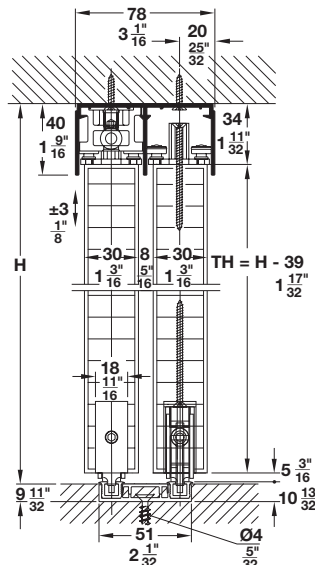
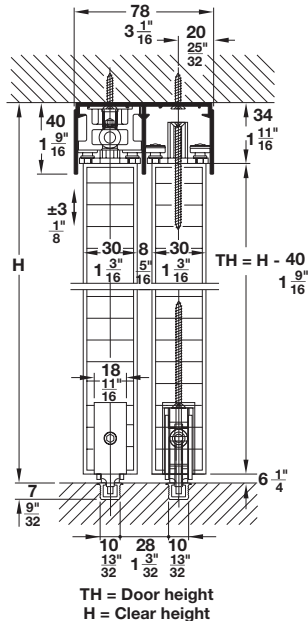
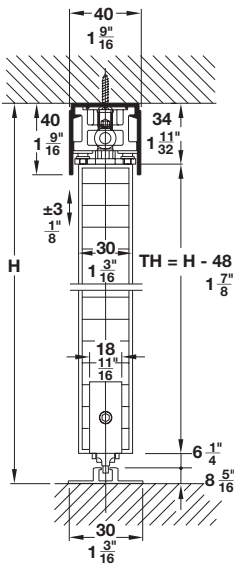
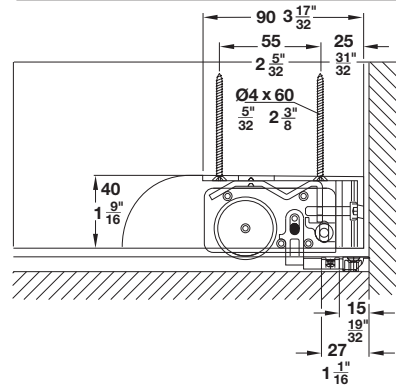
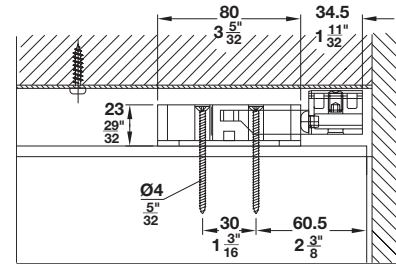
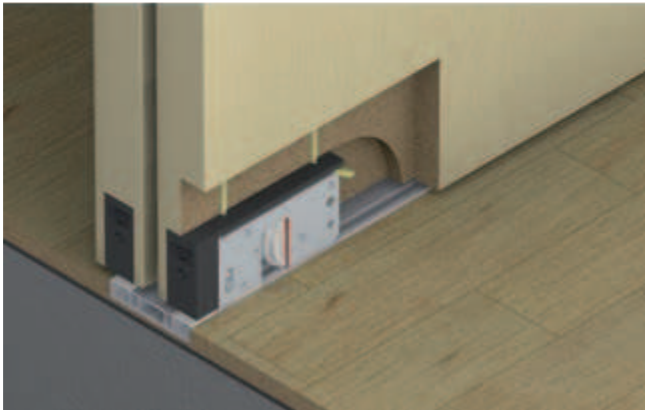


## EKU Divido 80 H

- Maximum door weight: 80 kg (176 lbs.)
- Maximum door height: 2400 mm (7' 10 1/2")
- Maximum door width: 2000 mm (6' 6 3/4")
- Door thickness, wood: 30 mm (1 3/16")
- Height adjustability: +/- 3 mm (1/8")
- For 1 – 4 sliding doors
- Running gears with special spring loaded anti-derail device that eliminates accidental displacement of sliding doors
- Allows for wood and glass sliding door combinations



TH = Door height  
H = Clear height

TH = Door height  
H = Clear height

Dimensions in mm  
Inches are approximate

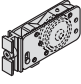
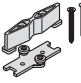
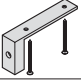

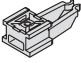

Dimensional data not binding. We reserve the right to alter specifications without notice.

**EKU Divido 80 H Set**

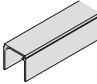
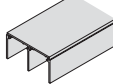
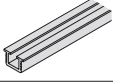
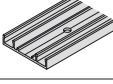
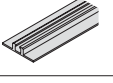
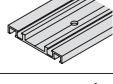
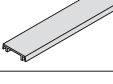
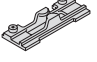
- For 1 sliding door without upper guide channel and lower running track

Item No.
940.92.001

**Set Components**

Description	Material	Finish	Qty.
 Running gear with anti-derail device, single wheel	-	-	2 pcs.
 Upper guide with plastic guide wheels, mounted on a zinc-plated steel base	-	-	2 pcs.
 Adapter for running gear, includes mounting screws	Plastic	gray	2 pcs.
 Door stopper set for lower track	Plastic	gray	2 pcs.
 Door stopper for upper guide channel	Plastic	gray	2 pcs.
 End piece to lower guide track	Plastic	gray	1 pc.

**Individual Components**

Description	Material	Finish	Length	Item No.
	Aluminum	anodized	2.5 m (8' 2 7/16")	941.13.525
			3.5 m (11' 5 13/16")	941.13.535
			6 m (19' 8 1/4")	941.13.560
	Aluminum	anodized	2.5 m (8' 2 7/16")	941.13.925
			3.5 m (11' 5 13/16")	941.13.935
			6 m (19' 8 1/4")	941.13.960
	Aluminum	anodized	2.5 m (8' 2 7/16")	941.13.825
			3.5 m (11' 5 13/16")	941.13.835
			6 m (19' 8 1/4")	941.13.860
	Aluminum	anodized	2.5 m (8' 2 7/16")	941.13.125
			3.5 m (11' 5 13/16")	941.13.135
			6 m (19' 8 1/4")	941.13.160
	Aluminum	anodized	2.5 m (8' 2 7/16")	941.13.725
			3.5 m (11' 5 13/16")	941.13.735
			6 m (19' 8 1/4")	941.13.760
	Aluminum	anodized	2.5 m (8' 2 7/16")	941.13.625
			3.5 m (11' 5 13/16")	941.13.635
			6 m (19' 8 1/4")	941.13.660
	Aluminum	anodized	2.5 m (8' 2 7/16")	941.12.825
			3.5 m (11' 5 13/16")	941.12.835
			6 m (19' 8 1/4")	941.12.860
 Center door stop, installed into upper guide channels, 33 x 90 mm (1 5/16" x 3 9/16")	Plastic	gray	-	941.12.040
Soft close 61–80 kg (135–220 lbs.)	-	-	-	940.92.010

Dimensional data not binding. We reserve the right to alter specifications without notice.

Dimensions in mm  
 Inches are approximate