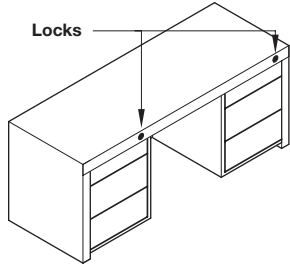


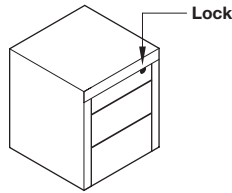
Modular Removable Core Locking System – Timberline

- An economical arrangement which allows installation of the lock body in the side panel at any position
- Installs left or right

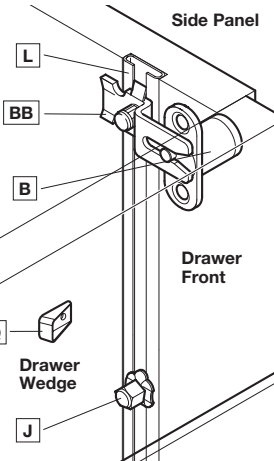
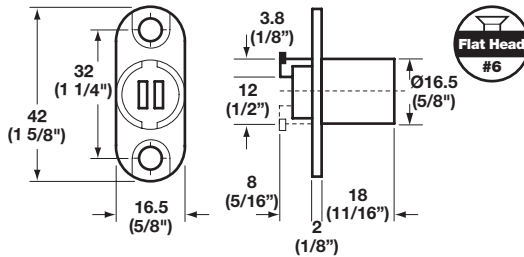
Typical Applications



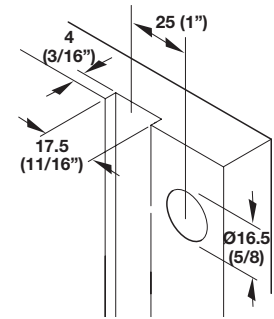
Desk with Lock
Mounted in fixed rail (1" min.)



Modular Pedestal with Lock
Mounted in drawer front



Drilling & Routing Diagram



B Side Mount Lock Body

- With locking lug
- 180° rotation; 12 mm (1/2") lift

Material: Zinc, die-cast, unfinished

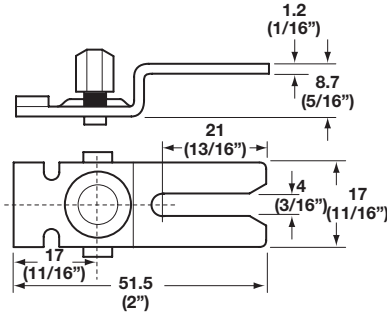
Timberline No.	Item No.
CB-150	234.86.017

BB Lockbar Clip

- To fit lockbar clip to lockbar **L**

Material: Steel

Finish	Timberline No.	Item No.
zinc	LC-150	234.86.900



Wardrobe/Overhead Storage Lock

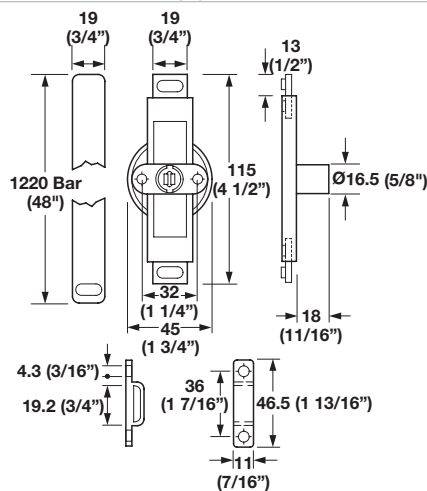
- Throw: 13 mm (1/2")

Material: Lock case: Plastic; Color: black
Cylinder housing: Zinc die-cast, unfinished
Bars: Steel; Color: black powder-coated
Bar retainers: Nylon; Color: black

Installation	Timberline No.	Item No.
horizontal	CB-265	223.63.300
vertical	CB-260	223.63.355

Supplied With

- Lock body
- 2 Bars
- 6 Bar retainers



Lock cores	page 10.5
L Lockbar	page 10.18
J Arresting pins	page 10.18
Q Drawer wedges	page 10.18
Insertion tool	page 10.18
Miscellaneous strikes	page 10.20
Flat head screws	pages 11.132-11.133, 11.135

Dimensional data not binding. We reserve the right to alter specifications without notice.

Dimensions in mm
Inches are approximate