

1/4 - 20 Cross Dowel, Phillips

- Off-center thread

Material: Zinc, die-cast, galvanized

	Item No.
	264.86.913



1/4 - 20 Cross Dowel, Slotted

- Center thread

Material: Steel, zinc-plated

	Item No.
	264.86.020

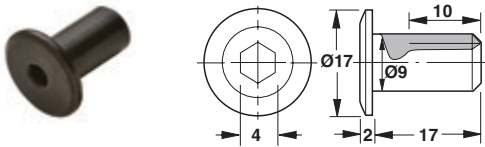


1/4-20 Joint Connector Bolt, Type JCB-B

Flat head Ø17 mm with M4 hexagon socket

Material: Steel

Length	Thread Length	Antique bronze	Black oxide	Nickel-plated
30	20	264.76.130	264.76.330	264.76.730
35	25	264.76.135	264.76.335	264.76.735
40	30	264.76.140	264.76.340	264.76.740
45	35	264.76.145	-	264.76.745
50	40	264.76.150	264.76.350	264.76.750
55	40	264.76.155	-	264.76.755
60	40	264.76.160	-	264.76.760
70	40	264.76.170	264.76.370	264.76.770
80	40	264.76.180	-	264.76.780
100	40	264.76.200	-	-

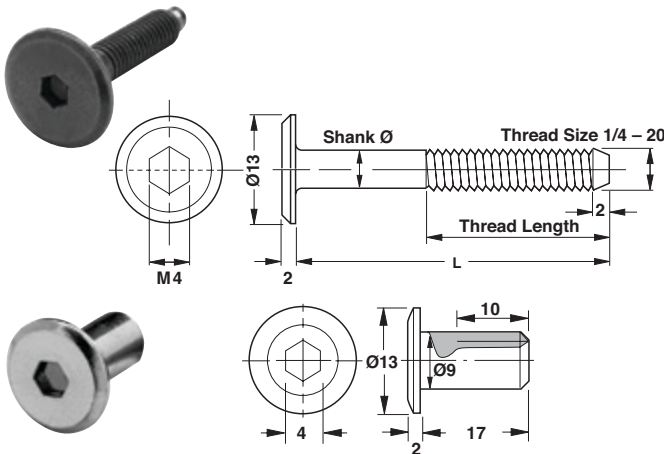


1/4-20 JCN Nut

Flat head Ø17 mm with M4 hexagon socket

Material: Steel

Finish	Item No.
antique bronze	267.10.116
black oxide	267.10.316
nickel-plated	267.10.616
black	267.10.317



1/4-20 Joint Connector Bolt, Type JCB-C

Flat head Ø13 mm with M4 hexagon socket

Material: Steel

Length	Thread Length	Nickel-plated	Black oxide
30	20	264.88.630	264.88.330
35	25	264.88.635	264.88.335
40	30	264.88.640	264.88.340
50	40	-	264.88.350
55	40	-	264.88.355
60	40	-	264.88.360
70	40	264.88.670	-

1/4-20 JCN Nut

Flat head Ø13 mm with M4 hexagon socket

Material: Steel

	Item No.
nickel-plated	267.10.606



Hex Key, M4

Material: Steel, unfinished

	Item No.
	008.28.044

Dimensional data not binding. We reserve the right to alter specifications without notice.