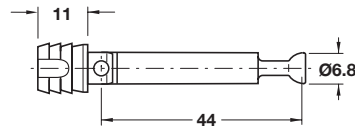


Minifix® Miter Joint Connectors

- A practical method of joining miter-jointed cabinets and profiles without costly gluing, and making large panels of furniture with miter joints
- Minifix® GV miter joint connectors are hinged connecting bolts, capable of securing miter joints at any angle from 90° to 180°
- These connectors should preferably be used only with Ø15 mm zinc die-cast Minifix® cams

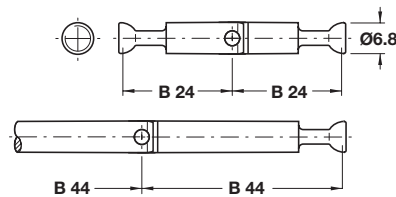


Minifix® GV

- With nylon sleeve
- For miter angles 90° to 180°
- Bolt hole: 7 mm
- Drilling distance: 44 mm
- For drilled hole: 8 mm

Material: Steel, galvanized

	Item No.
	262.12.804

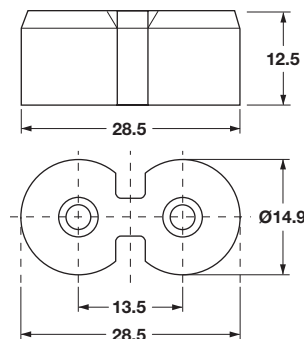


Minifix® GV

- Hinged miter joint connector for double-sided installation in 7 mm diameter holes

Material: Steel, galvanized

Drilling distance B	Item No.
24	262.12.859
44	262.12.939



Miter Joint Connector

28.5 x 12.5 mm

Material: Plastic

Color	Item No.
white	261.98.720

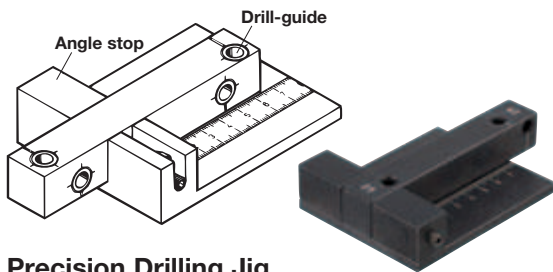
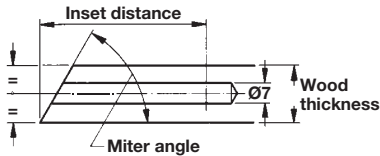
Minifix® Miter Joint Connectors

Inset distance table

To determine the center point for Minifix® cam drill holes (wood thickness 19 mm and miter joint angle 60°= inset distance 49.5 mm).

Table is for miter joint connectors with drilling distance B 44. For drilling distance B 24, 20 mm must be deducted from the given dimensions.

Formula for calculating inset distance:
 $\tan x \times 1/2 \text{ wood thickness} + 44 \text{ mm}$.



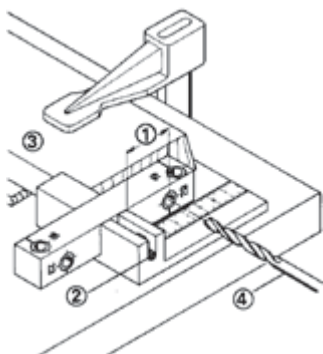
Precision Drilling Jig

- For Ø7 mm hole
- Includes angle stop with 0 to 8 mm scale for inset interval adjustment and socket head screw to secure the drill-guide
- For wood thicknesses: 16, 19, 23 and 29 mm

Material: Zinc die-cast with hardened drilling bushings

Item No.
001.27.202

Using the Precision drilling jig



- ① Measure inset distance from edge of panel and transfer to drilling jig.
- ② Fix inset distance on drilling jig with the hex screw.
- ③ Secure panel and jig with a screw-clip.
- ④ With Ø7 mm twist bit, drill hole approximately 44 mm deep.



Precision Marking Gauge

- For Ø15 mm cam holes
- Includes guide pin with two pointed stops and marking jig with locating hole to center the drill-hole for the cam
- The precision marking gauge can only be used for miter cut angles up to 45° maximum (90° corner)

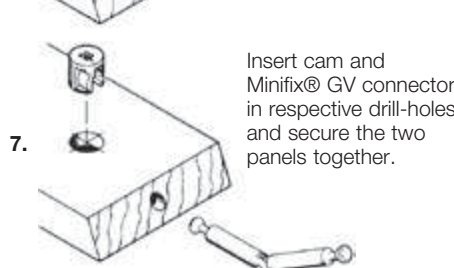
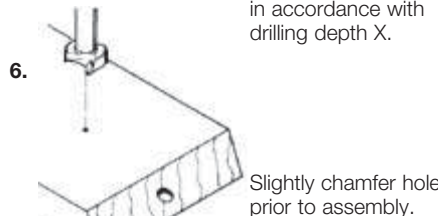
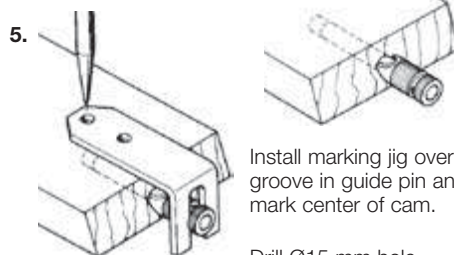
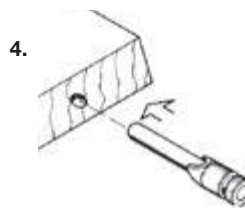
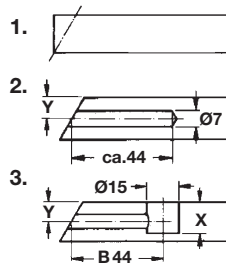
Material: Zinc die-cast with hardened drilling bushings

Item No.
001.27.211

Miter angle	Wood thickness (bore horizontal hole prior to mitering)												
	12	13	15	16	17	18	19	20	21	22°	23	29	32
20°	60.5	61.9	64.6	66	67.4	68.7	70.1	71.5	72.8	74.2	75.6	83.9	88
22.5°	58.5	59.7	62.1	63.3	64.5	65.7	66.9	68.1	69.3	70.6	71.8	79	82.6
25°	56.9	57.9	60.1	61.2	62.2	63.3	64.4	65.4	66.5	67.6	68.7	75.1	78.3
30°	54.4	55.3	57	57.9	58.7	59.6	60.5	61.3	62.2	63.1	63.9	69.1	71.7
35°	52.6	53.5	54.7	55.4	56.1	56.9	57.6	58.3	59	59.7	60.4	64.7	66.9
40°	51.2	51.7	52.9	53.5	54.1	54.7	55.3	55.9	56.5	57.1	57.7	61.3	63.1
45°	50	50.5	51.5	52	52.5	53	53.5	54	54.5	55	55.5	58.5	60
50°	49	49.5	50.3	50.7	51.1	51.6	52	52.4	52.8	53.2	53.6	56.2	57.4
55°	48.2	48.6	49.3	49.6	50	50.3	50.7	51	51.4	51.7	52.1	54.2	55.2
60°	47.5	47.8	48.3	48.6	48.9	49.2	49.5	49.8	50.1	50.4	50.6	52.4	53.2
65°	46.8	47	47.5	47.7	48	48.2	48.4	48.7	48.9	49.1	49.4	50.8	51.5
67.5°	46.5	46.7	47.1	47.3	47.5	47.7	47.9	48.1	48.3	48.6	48.8	50	50.6
70°	46.2	46.4	46.7	46.9	47.1	47.3	47.5	47.6	47.8	48	48.2	49.3	49.8
75°	45.6	45.7	46	46.1	46.2	46.4	46.5	46.7	46.8	46.9	47.1	47.9	48.3
80°	45	45.1	45.3	45.4	45.5	45.6	45.7	45.8	45.9	45.9	46	46.6	46.8
85°	44.5	44.6	44.7	44.7	44.7	44.8	44.8	44.9	44.9	45	45	45.3	45.4
90°	44	44	44	44	44	44	44	44	44	44	44	44	44

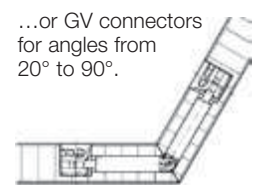
Inset distances (mm)

Using the Precision drilling jig



For miter cuts of less than 45° (feasible with Minifix® GV connectors with sleeves), the drill-hole center – B 44 – for the cam must be marked out by hand (see inset distance table above).

The type of connector selected will depend on the intended application, e.g. connectors with nylon sleeves should be used for joint angles from 30° to 180°...



...or GV connectors for angles from 20° to 90°.

Dimensional data not binding. We reserve the right to alter specifications without notice.