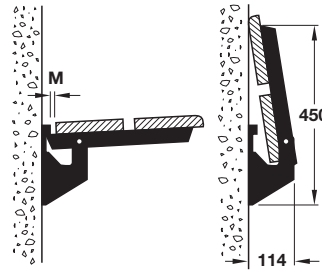


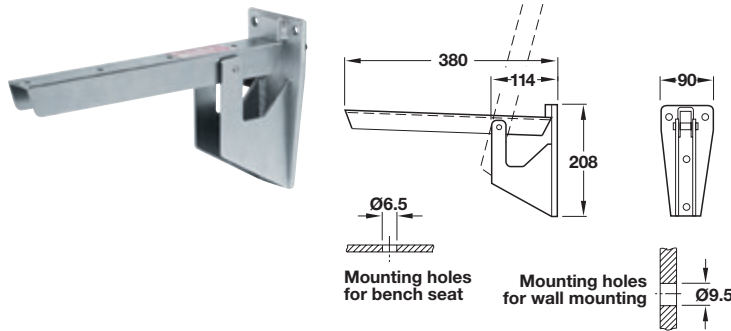
Note

Weight capacities are approximate figures and can change depending on application. These figures were determined by static testing distributing the weight evenly over the surface, but not extending the length of the bracket.



When folded up the bracket requires the space specified at left. It is pre-drilled for the seat, which can be up to 40 mm thick.

Seat thickness	Minimum gap M
25 mm	17 mm
30 mm	17 mm
35 mm	22 mm
40 mm	28 mm



Hebgo Folding Bench Bracket

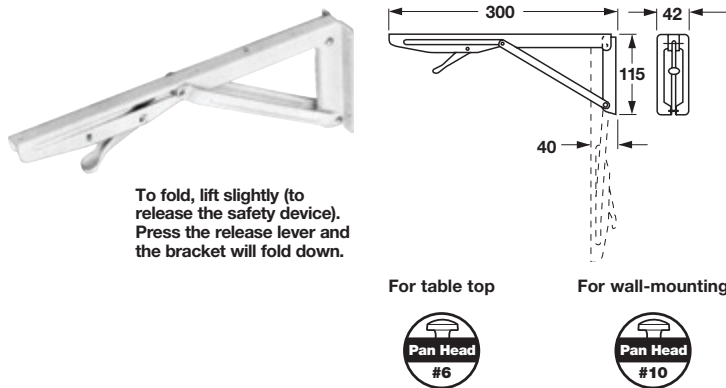
- Heavy duty model for outdoor use
Weight capacity to 500 kg (1100 lbs.) per pair

Material: Steel, galvanized

Item No.
287.47.917

Note

Maximum distance between 2 shelf supports is 700 mm (27 9/16").



To fold, lift slightly (to release the safety device). Press the release lever and the bracket will fold down.

Folding Bracket

- With locking device in supporting arm
Weight capacity to 50 kg (110 lbs.)

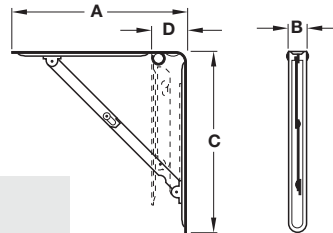
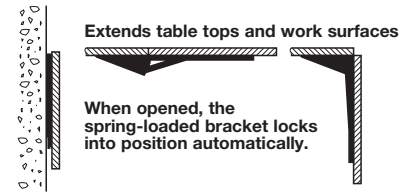
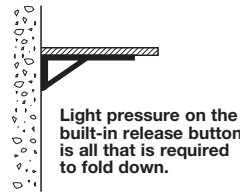
Material: Steel, bright galvanized

Color	Item No.
black	287.49.322
white	287.49.724

Dimensional data not binding. We reserve the right to alter specifications without notice.

Note

Weight capacities are approximate figures and can change depending on application. These figures were determined by static testing distributing the weight evenly over the surface, but not extending the length of the bracket.

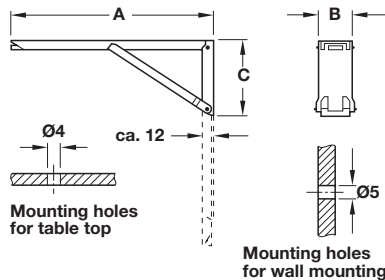


Bracket

- Folding with locking devices
- Maximum distance between brackets: 600 mm

Material: Steel, enameled

A	C	D	B	Screw hole	Weight Capacity per pair	Brown	White
210	200	40	24	5.0	30 kg (66 lbs.)	287.40.140	287.40.740
320	310	45	30	5.0	50 kg (110 lbs.)	287.40.141	287.40.741
430	410	55	30	5.0	60 kg (132 lbs.)	287.40.142	287.40.742



Hinged Spring Bracket

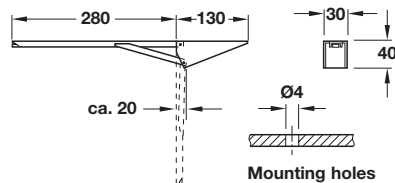
- Screw-mounted, for vertical installation
- Weight capacity to 40 kg (88 lbs.) per pair

Material: Steel; Finish: yellow chromated

A	C	B	Item No.
250	85	25	287.41.906
380	120	25	287.41.915

Material: Stainless Steel

A	C	B	Item No.
250	85	30	287.41.600
380	120	30	287.41.610

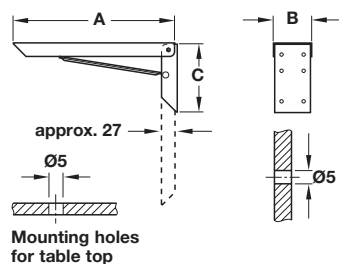


Hinged Spring Bracket

- Screw-mounted, for horizontal installation
- Weight capacity to 30 kg (66 lbs.) per pair

Material: Steel

Finish	Item No.
yellow chromated	287.41.951



Bracket

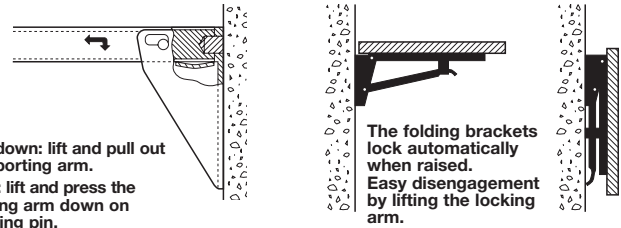
- Folding with locking device
- Weight capacity to 100 kg (220 lbs.) per pair.

Material: Steel; Color: white lacquer; Support: galvanized

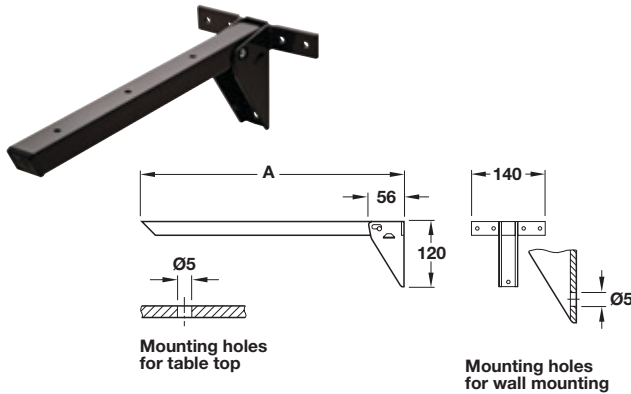
A	C	B	Item No.
200	115	61	287.54.721
250	115	61	287.54.726
300	115	61	287.54.731

Note

Weight capacities are approximate figures and can change depending on application. These figures were determined by static testing distributing the weight evenly over the surface, but not extending the length of the bracket.



The folding brackets lock automatically when raised. Easy disengagement by lifting the locking arm.

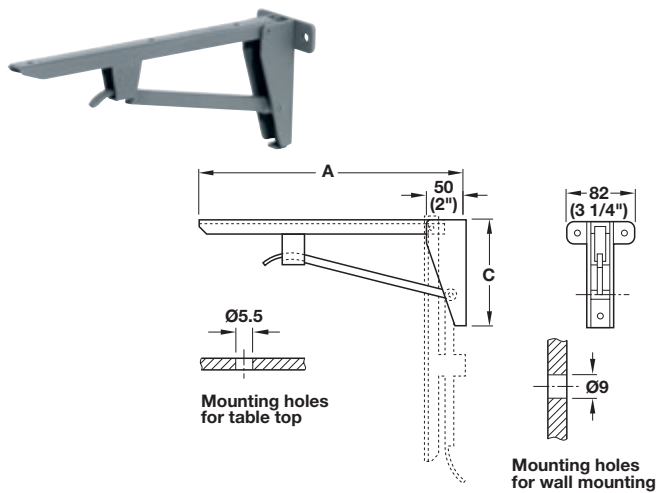


Tikla Folding Table Bracket

- Medium-duty model
Weight capacity to 100 kg (220 lbs.) per pair

Material: Steel; Color: brown lacquer

A	Item No.
360	287.48.110
460	287.48.129
560	287.48.138
660	287.48.147

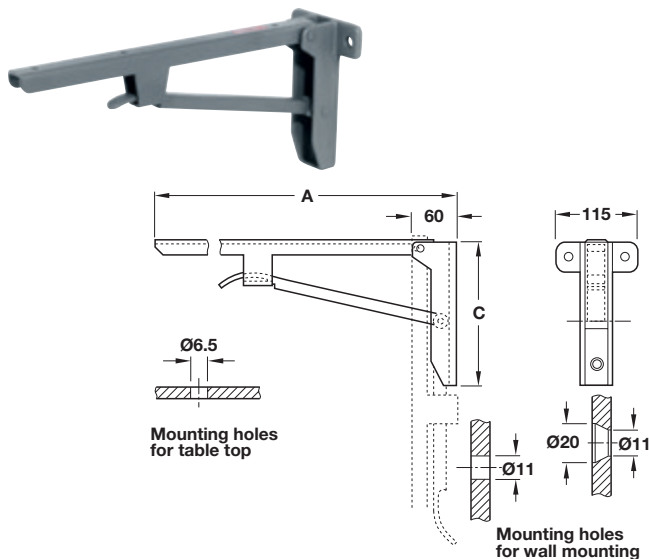


Hebgo Folding Table Bracket

- Light-duty model
Weight capacity to 150 kg (330 lbs.) per pair

Material: Steel; Color: gray primed

A	C	Item No.
330	134	287.42.403
380	134	287.42.412
480	152	287.42.421
580	178	287.42.430
680	178	287.42.449



Hebgo Folding Table Bracket

- Heavy-duty model
Weight capacity to 500 kg (1100 lbs.) per pair

Material: Steel; Color: gray primed

A	C	Item No.
420	180	287.43.400
480	180	287.43.419
580	220	287.43.428
680	220	287.43.437
780	220	287.43.446

Dimensional data not binding. We reserve the right to alter specifications without notice.

Dimensions in mm
Inches are approximate