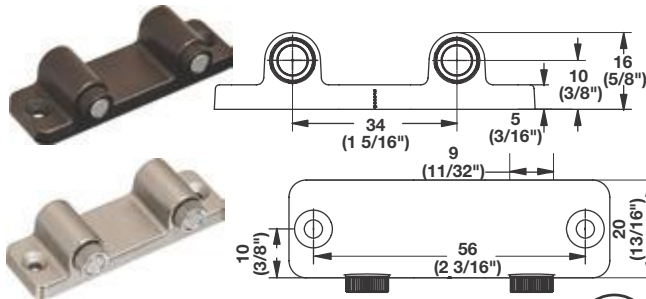


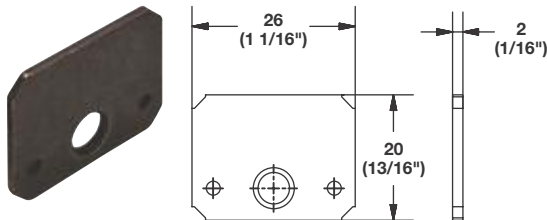
- A high-end magnetic catch specifically designed by Häfele
- Primary application is high-quality traditional cabinetry with inset doors, utilizing free-swinging decorative butt hinges
- Rounded soft shape
- Metal casing and plated finish offer a high-end look and feel
- Easy and intuitive in/out adjustment is achieved by turning the magnet; no need to loosen screws, adjust and re-tighten
- Matching strike plates and screws are available, please order separately
- Magnet adjustment range: 5 mm (3/16")
- Magnetic holding force: 2 kg (4.4 lbs)



Double Catch

Material: Housing: Zinc; Core: Steel; Magnet: Neodymium

Finish	Item No.
oil-rubbed bronze	246.15.101
nickel-plated matt	246.15.601



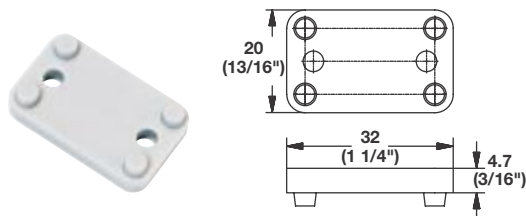
Strike Plate

Material: Steel

Finish	Item No.
oil-rubbed bronze	246.36.180
nickel-plated matt	246.36.680

Note

Order screws separately.

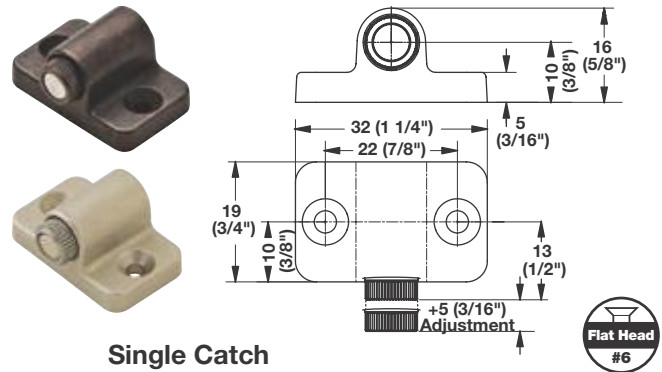


Spacer

- Provides additional height for mating catch in face frame applications
- Design creates perfect alignment with catch housing
- Screw mounts together with catch

Material: Plastic

Color	Item No.
gray	246.15.691



Single Catch

Material: Housing: Zinc; Core: Steel; Magnet: Neodymium

Finish	Item No.
oil-rubbed bronze	246.15.100
nickel-plated matt	246.15.600

Complete Set

Material: Housing: Zinc; Core: Steel;
Magnet: Neodymium; Strike plates/screws: Steel

Finish	Item No.
oil-rubbed bronze	246.15.110
nickel-plated matt	246.15.610

Supplied With

- 2 Catches
- 4 Mounting screws
- 2 Strike plates with floating head/knock-in nail

Screws for Magnetic Catch

#6 x 5/8"

Material: Steel

Finish	Item No.
oil-rubbed bronze	010.77.207
nickel-plated matt	010.77.607



Screws for Strike Plate

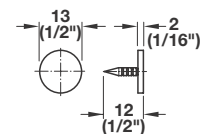
#5 x 5/8"

Material: Steel

Finish	Item No.
black	010.77.304
nickel	010.77.604

Supplied With

1000 pcs.



Strike

- With floating head and knock-in nail
- Floating head assures absolute contact between magnet and strike, creating the strongest holding force

Material: Steel

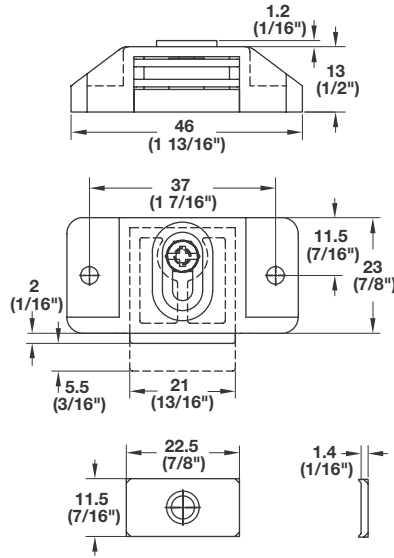
Finish	Item No.
oil-rubbed bronze	246.15.190
zinc-plated	246.15.990

Flat head screws

pages 11.132-11.133, 11.135

Dimensional data not binding. We reserve the right to alter specifications without notice.

- Magnet position can be adjusted without changing location of the housing
 - Magnet adjustment range: 5.5 mm (3/16")
- Magnetic holding force: 3 kg (6.6 lbs)



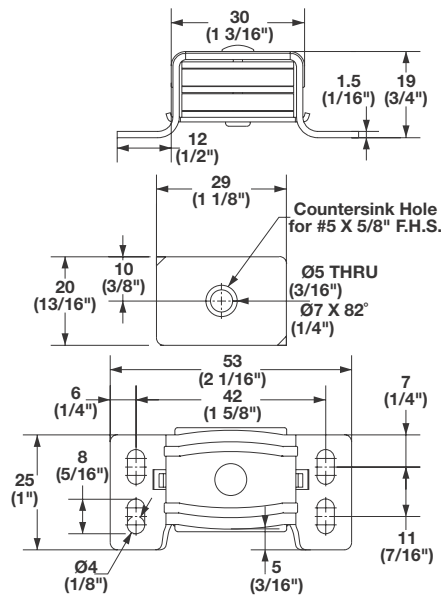
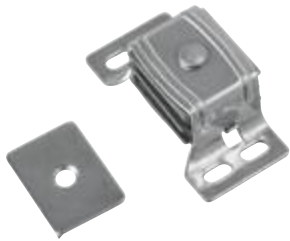
Adjustable

Material: Catch: Plastic; Strike: Metal

Color/Finish	Item No.
black/bronze	246.65.321
ivory/nickel	246.65.121

Supplied With

Strike Plate
 Mounting screws



Magnetic Catch

- Screw mounted
- Holding power: 15 lbs.

Material: Catch: Aluminum; Strike: Steel

Item No.
246.92.002

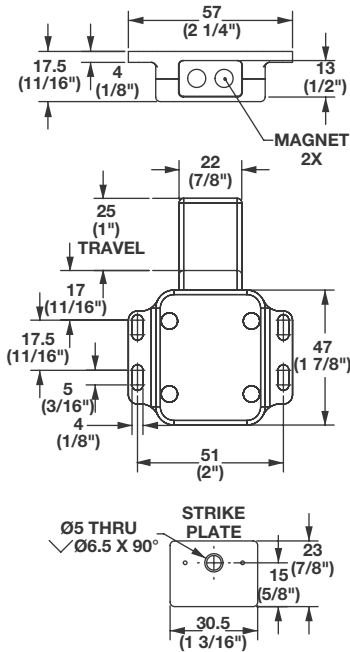
Dimensional data not binding. We reserve the right to alter specifications without notice.

Pan head screws

page 11.134

Heavy Duty Magnetic Push Latch

- For heavy duty applications using full size flush doors
 - 2 Neodymium magnets
 - 1 1/4" Bolt throw
- Opening force 10 lbs.
 Pull force: 6 lbs.



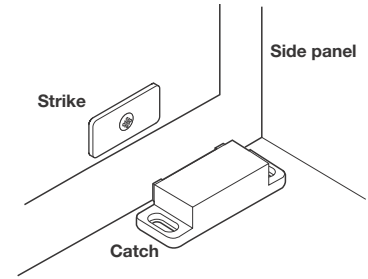
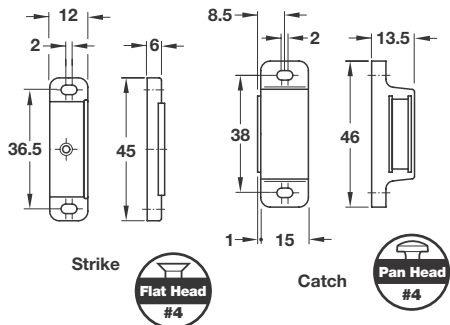
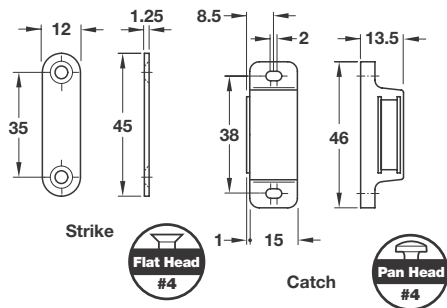
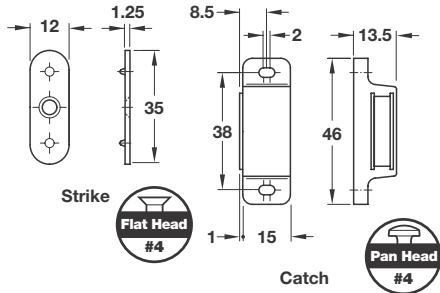
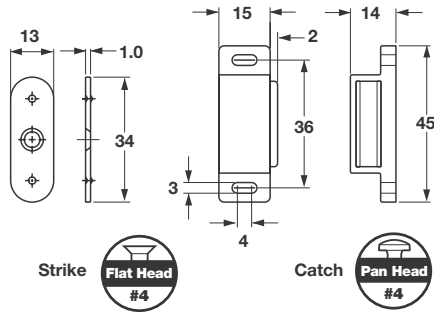
Latch

W x D x H: 57 x 47 x 17.5 mm (2 1/4" x 1 7/8" x 11/16")

Material: Catch/Housing: Aluminum
 Strike: Steel; Finish: zinc-plated

Finish	Item No.
anodized black	245.75.330
clear	245.75.930

- The most economical magnetic catch
- Extremely flexible floating plates to compensate for alignment tolerances



- Screw-mounted
- Pull: 2.5 kg

Material: Catch: Plastic; Strike: Metal

Color	Item No.
white	246.28.700
brown	246.28.100

- Screw-mounted
- Catch: floating
- Strike: fixed
- Holding power (approximately): 3 – 4 kg

Material: Catch: Plastic; Strike: Steel

Color	Item No.
white	246.26.702
brown	246.26.104
black	246.26.300

- Screw-mounted
- Floating permanent magnet poles catch adjust automatically to meet door-mounted strike
- Catch: floating
- Strike: fixed
- Holding power (approximately): 4 – 5 kg

Material: Catch: Plastic; Strike: Steel

Color	Item No.
white	246.29.703
brown	246.29.105
black	246.29.301

- Screw-mounted
- Catch: floating
- Strike: fixed
- Holding power (approximately): 4 – 5 kg

Material: Catch: Plastic; Strike: Steel

Color	Item No.
white	246.29.712
brown	246.29.114

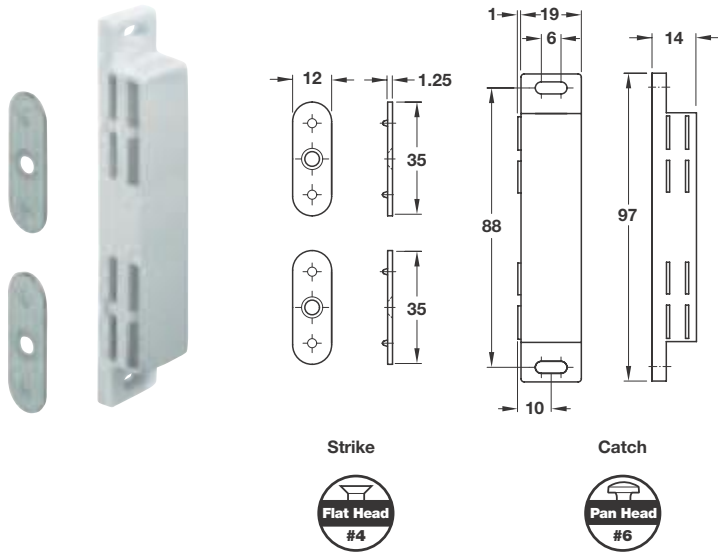
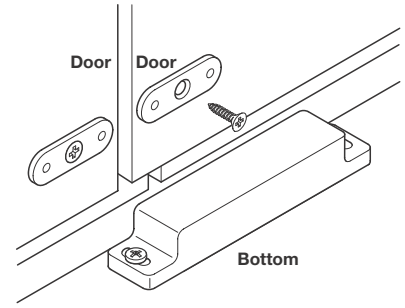
Dimensional data not binding. We reserve the right to alter specifications without notice.

Flat head screws	pages 11.132-11.133, 11.135
Pan head screws	pages 11.134-11.135

Dimensions in mm
Inches are approximate

Double Magnetic Catches

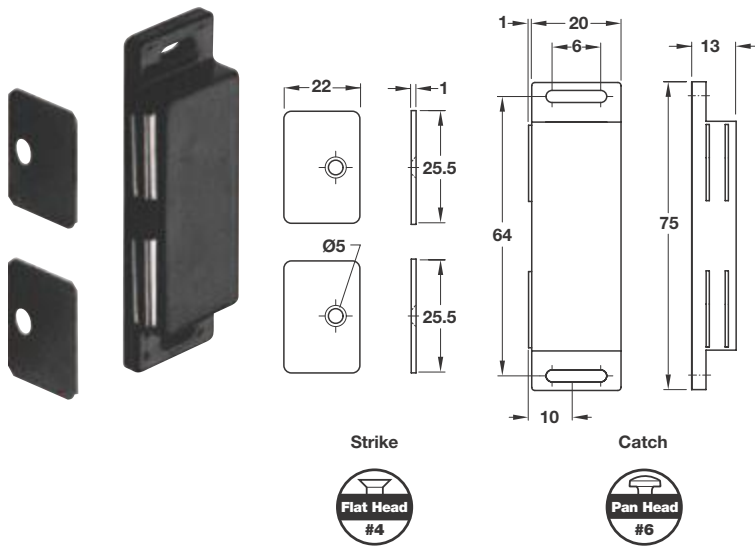
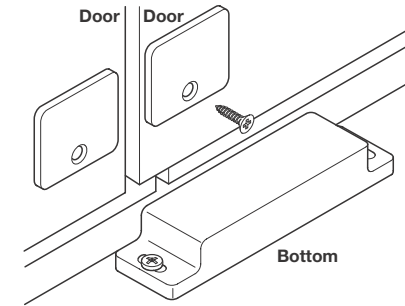
Floating permanent magnet poles in case adjust automatically, to meet door-mounted strike to top or bottom panel of cabinet in two-door installations.



- Screw-mounted
 - Catch: fixed
 - Strike: floated
- Holding power (approximately): 2 x 3 – 4 kg

Material: Catch: Plastic; Strike: Steel

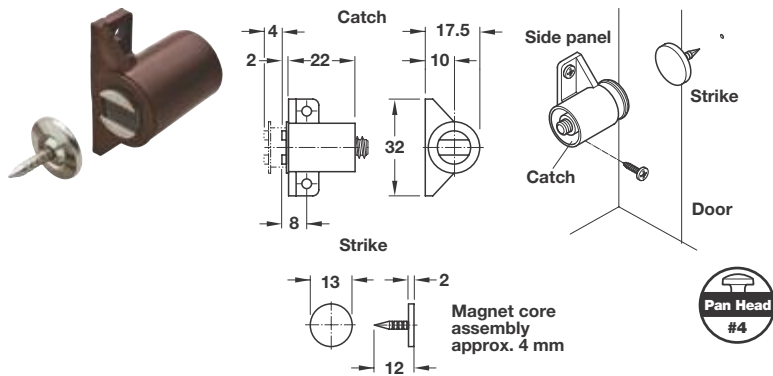
Color	Item No.
white	246.84.713
brown	246.84.115



- Screw-mounted
 - Catch: fixed
 - Strike: floated
- Holding power (approximately): 2 x 3 – 4 kg

Material: Catch: Plastic; Strike: Steel

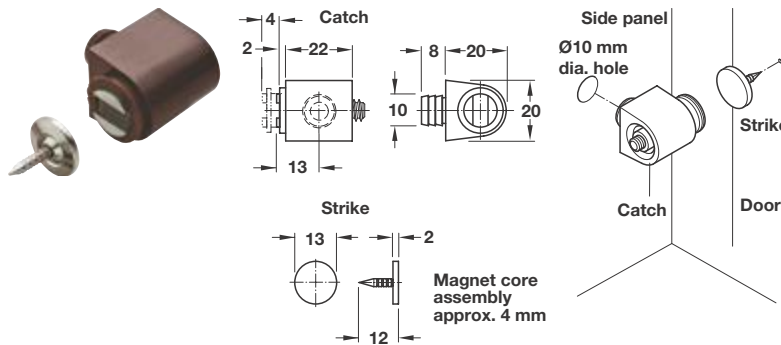
Color	Item No.
black	246.36.300



- Screw mounted
 - The poles are fixed in the case, while the magnet core is adjustable
 - Catch: fixed
 - Strike: floating
- Holding power (approximately): 3 – 4 kg

Material: Catch: Plastic; Strike: Steel

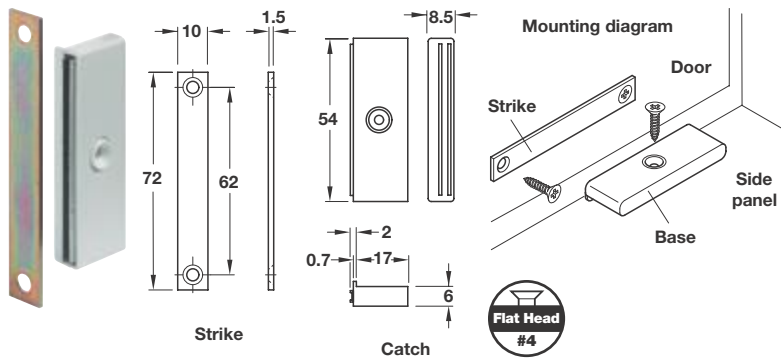
Color	Item No.
white	246.09.701
brown	246.09.103
black	246.09.309



- Press-fit with dowel
 - Catch: fixed
 - Strike: floating
- Holding power (approximately): 3 – 4 kg

Material: Catch: Plastic; Strike: Steel

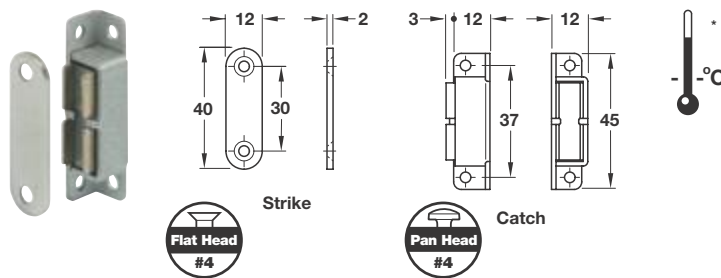
Color	Item No.
white	246.08.704
brown	246.08.106



- Screw mounted
 - Adjustable
 - Floating poles
 - Catch: fixed
 - Flat (only 6 mm high)
- Holding power (approximately): 5 kg

Material: Catch: Plastic; Strike: Steel

Color	Item No.
white	246.50.708
brown	246.50.100



- Screw mounted
 - Metal case provides heat-resistance to 300° C.
- Holding power (approximately): 5 kg

Material: Catch: Aluminum; Strike: Steel

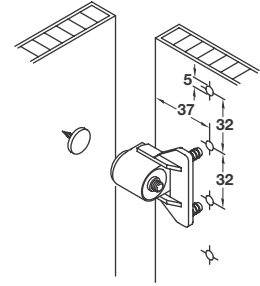
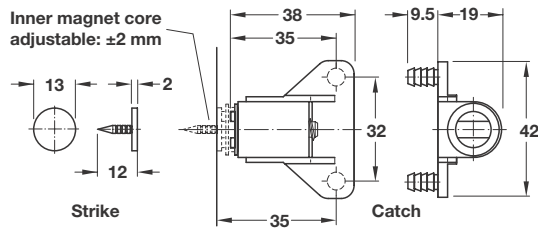
Item No.
246.92.000

Note

Holding power is diminished by 1% per 5° C (+) increase in temperature. Cooling restores the magnet's holding power to its original level. No strike is necessary with steel doors or lids.

Dimensional data not binding. We reserve the right to alter specifications without notice.

Flat head screws	pages 11.132-11.133, 11.135
Pan head screws	pages 11.134-11.135

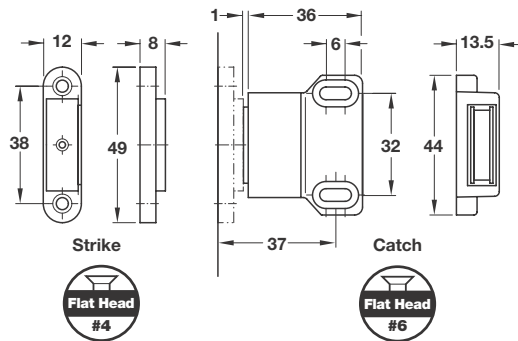


Press-Fit

Holding power (approximately): 4 kg

Material: Catch: Plastic; Strike: Steel

Color	Item No.
white	246.13.740

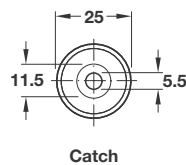
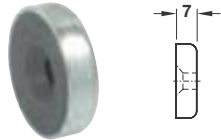


Screw-Mount

Holding power (approximately): 4 – 5 kg

Material: Catch: Plastic; Strike: Steel

Color	Item No.
white	246.17.703
black	246.11.309

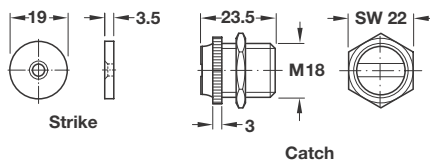


Screw-Mount Magnet

- With inside mounting hole
 - Low-profile magnet
 - For metal cabinets
 - Inside mounting Ø5 mm diameter
 - No strike needed for metal doors
- Holding power (approximately): 3.6 kg

Material: Steel

Finish	Item No.
zinc-plated	246.86.025

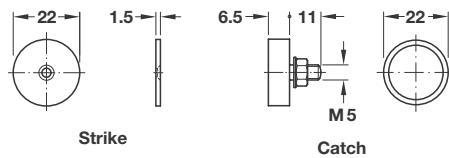


Magnet

- For metal cabinets
- Holding power (approximately): 7 kg

Material: Catch: Metal; Strike: Steel

Item No.
246.95.010



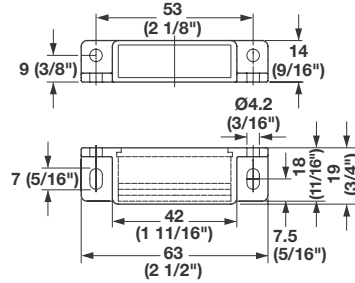
Magnet

- For metal cabinets
- Holding power (approximately): 3 kg

Material: Catch: Metal; Strike: Steel

Item No.
246.96.008

- Hermetically sealed for corrosion resistance
- No metal to metal contact
- Strong magnetic force



Catch

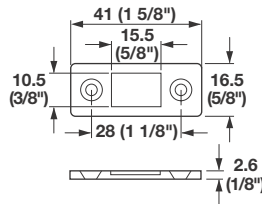
Holding power (approximately): 5 kg (11 lbs.)

Material: Catch: Polyacetal; Magnet: Neodymium

Color	Item No.
light gray	246.53.522

Note

Optional counter plate – see below.



Catch

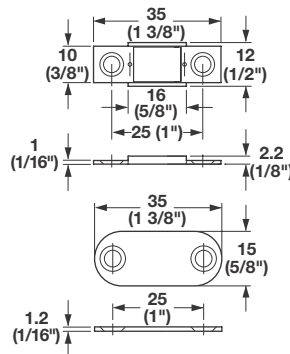
- Ultra thin catch with extra strong magnetic force
 - Max. temperature: 80° C (176° F)
 - To avoid damage, counter plate should not hit magnet
 - Screw heads should not protrude above the base plate
- Holding power (approximately): 4 kg (8.8 lbs.)

Material: Magnet: Neodymium; Base/yoke: Steel

Finish	Item No.
nickel	246.53.640

Note

Optional counter plate – see below.



Catch

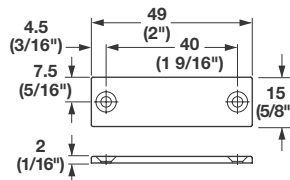
- Ultra thin catch ideal for tight spaces
 - Max. temperature: 80° C (176° F)
 - To avoid damage, counter plate should not hit magnet
 - Screw heads should not protrude above the base plate
- Holding power (approximately): 2.7 kg (5.9 lbs.)

Material: Magnet: Neodymium; Base/yoke: Steel

Finish	Item No.
nickel	246.53.650

Supplied With

Strike plate
 4 pcs. wood screws



Counter Plate, optional

Material: 316 Stainless Steel, unfinished

Item No.
246.53.030



Dimensional data not binding. We reserve the right to alter specifications without notice.

Flat head screws	pages 11.132-11.133, 11.135
Pan head screws	pages 11.134-11.135

Dimensions in mm
 Inches are approximate