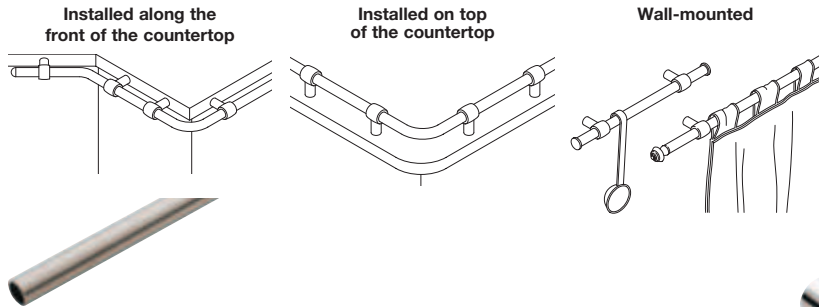


Kitchen Rail System

- Ø16 mm (5/8") seamless tubing
- End caps plug into rails

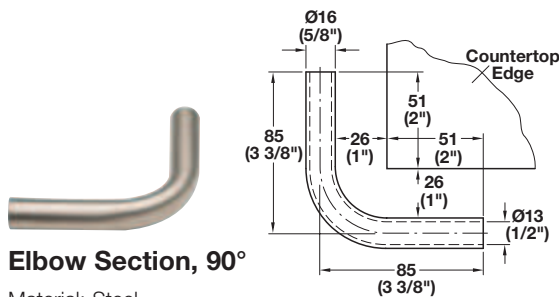


Tubular Rail

Length: 1500 mm (59 1/16")

Material: Steel

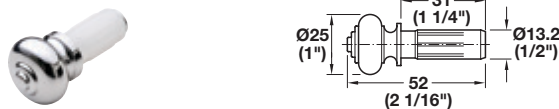
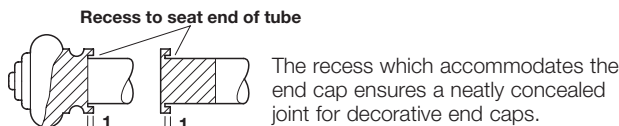
Finish	Item No.
chrome polished	522.00.236
stainless steel	522.40.015



Elbow Section, 90°

Material: Steel

Finish	Item No.
stainless steel	522.41.010



Decorative End Cap

- With profile-style head

Material: Brass; Sleeve: Plastic

Finish	Item No.
chrome polished	522.03.237

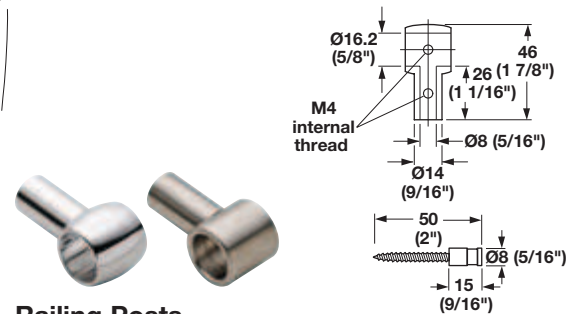


Dowel Connector

- Plugs into kitchen rails and elbow sections

Material: Plastic

Color	Item No.
white	520.72.090



Railing Posts

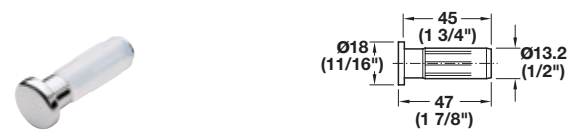
- Press-fits over fastening screw

Material: Zinc

Finish	Item No.
chrome polished	522.02.212
stainless steel	522.42.000

Supplied With

M4 Set screw and hex key

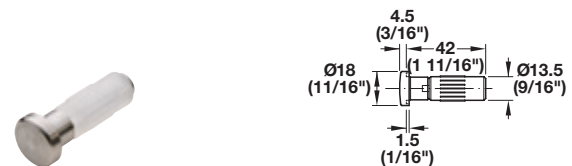


Decorative End Cap

- With flat head

Material: Brass; Sleeve: Plastic

Finish	Item No.
chrome polished	522.03.228



Decorative End Cap

- With flat head

Material: Stainless Steel; Sleeve: Plastic

Finish	Item No.
matt	522.42.050



S-Hook for Railing

Material: Steel

Finish	Item No.
chrome polished	522.04.207