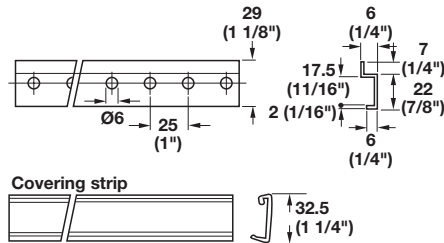
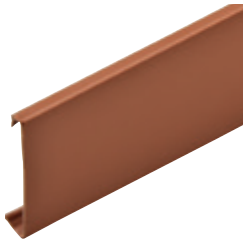


4



Covering strip

Note

We recommend attaching the wall rail to studs with Pan Head screws. Do not attach only to sheetrock/drywall. For additional attachment to sheetrock/drywall, use drywall wall anchors.

Covering Strip

- Gives clean appearance to the part(s) of the rail not covered by cabinets or other closet components

Material: Plastic

Color	Item No.
white	290.12.781
beige	290.12.481
brown	290.12.180
black	290.12.380
gray	290.12.581
bronze	290.12.181

Supplied With

25 pcs.



Wall Rail

- Rail used to hang cabinets or closets
 - First and last screw holes are 2438 mm (96") center to center with 12 mm (1/2") of rail on each end
 - Hole center to center equals 25 mm (1")
 - There is an "A" marked on the rail in intervals of 100 mm (4") to help locate studs in the wall - Four A's equal 400 mm (16")
- Length: 2463 mm (97")

Material: Steel, galvanized

Finish	Item No.
zinc-plated	290.11.901

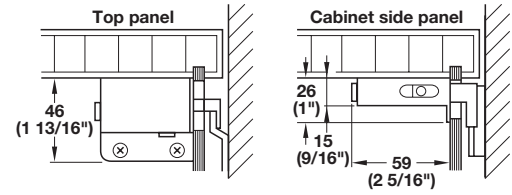
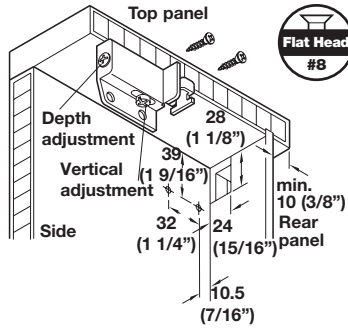
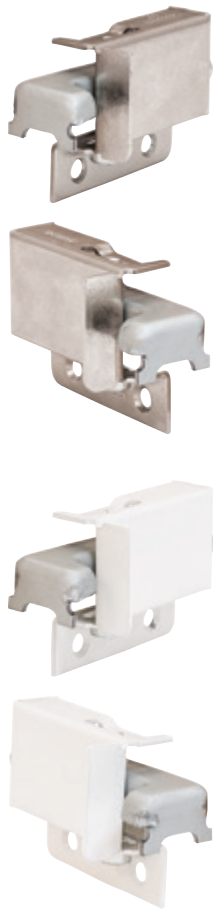
Supplied With

25 pcs.

Pan head screws	pages 11.134-11.135
Flat head screws	pages 11.132-11.133, 11.135

Dimensions in mm
 Inches are approximate

FC **4.98**



Screw-mounted Cabinet Hanger

- Wall rail suspension
 Weight capacity per pair: 200 kg (440 lbs.)
 Adjustments: Vertical: 16 mm (5/8"); Depth: 15 mm (9/16");

Material: Steel; Finish: nickel-plated

Handing	Item No.
left	290.02.721
right	290.02.720

Material: Steel, epoxy-coated

Handing	Beige	White
left	290.07.411	290.07.721
right	290.07.410	290.07.720

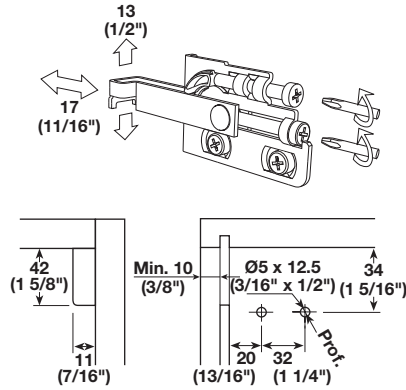
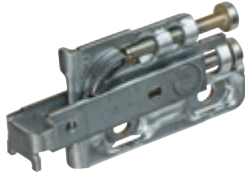
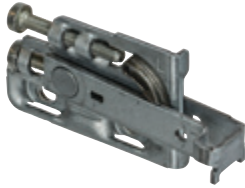


Dimensional data not binding. We reserve the right to alter specifications without notice.

Flat head screws pages 11.132-11.133, 11.135

Dimensions in mm
 Inches are approximate

4



Screw-Mounted Cabinet hanger

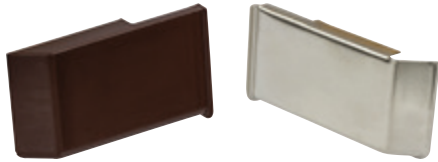
- Wall rail suspension.
- Weight capacity per pair: 130 kg (286lbs.)
- Adjustments: Vertical: 13 mm (1/2")
- Depth: 17 mm (11/16")

Material: Steel; Finish: Zinc-plated

Handing	Item No.
left	290.21.921
right	290.21.920

Supplied With

Ø5 x 16 mm Euro screws



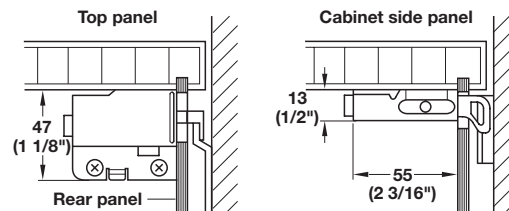
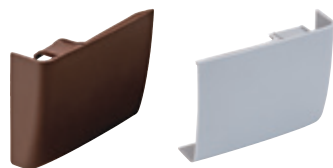
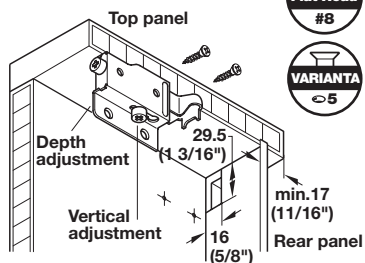
Clip-On Cover Cap, optional

Material: Plastic

Color	Left	Right
white	290.14.713	290.14.712
brown	290.14.113	290.14.112
ivory	290.14.711	290.14.710

Dimensions in mm
 Inches are approximate

FC **4.98B**



Screw-Mounted Cabinet Hanger

- For wall rail suspension
- Weight capacity per pair: 130 kg (286 lbs.)
- Adjustments: Vertical: 16 mm (5/8"); Depth: 14 mm (9/16");

Material: Steel, galvanized

Handing	Item No.
left	290.02.715
right	290.02.714

Note

For use with Euro Screw 013.02.904.

Euro Screw

- With #2 Pozzi Drive
- For 5 mm system holes
- Length x Ø: 15 mm (9/16") x 6.3 mm (1/4")

Material: Steel

Finish	Item No.
zinc-plated	013.02.904

Clip-On Cover Cap, optional

- For above hanger

Material: Plastic

Color	Left	Right
brown	290.02.191	290.02.190
tan	290.02.481	290.02.480
white	290.02.781	290.02.780
cream-white/almond	290.02.791	290.02.790
black	290.02.391	290.02.390
gray	290.02.521	290.02.520

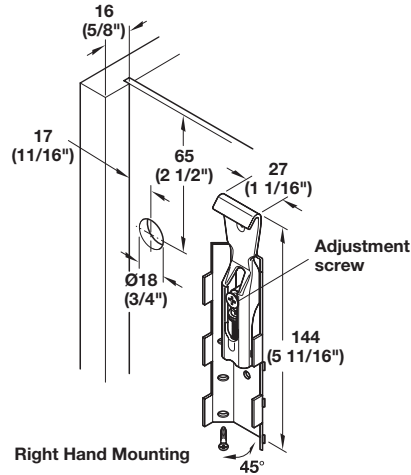
Dimensional data not binding. We reserve the right to alter specifications without notice.

Flat head screws	pages 11.132-11.133, 11.135
Varianta screws	pages 11.142

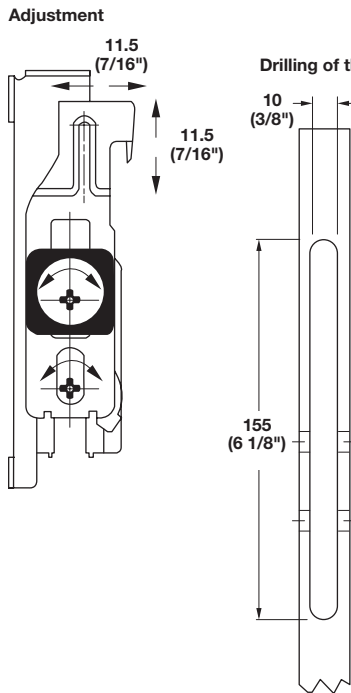
Concealed

- Cabinet hangers are mounted inconspicuously behind the rear panel, with a minimum of 16 mm (5/8") space required
- Adjustment screws can be accessed from the front after installation
- For safety reasons, the cabinet hanger must be mounted in the upper third of the cabinet

4



- Concealed within the interior of the cabinet side panel
- A cabinet back is not required
- Eliminates the gap between the cabinet and the wall
- Unhanded, can be used on either left or right side of cabinet



Invisible Cabinet Hanger

- Screw mounted
 - For wall rail suspension; unhandled
- Weight capacity per pair: 130 kg (286 lbs.)
 Adjustments: Vertical: 17 mm (11/16"); Depth: 16 mm (5/8")

Material: Steel, galvanized

Item No.
290.21.930

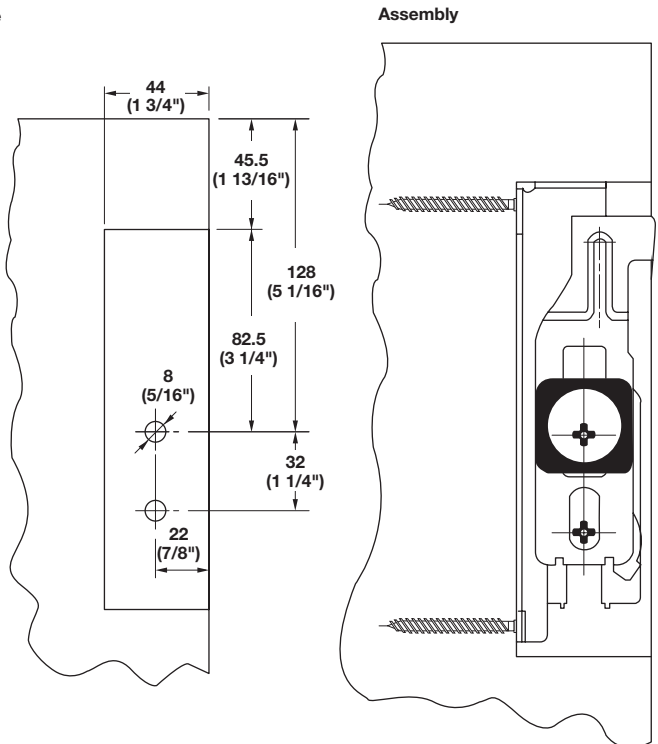


Cabinet Hanger

- For wall rail suspension
- Weight capacity per pair: 65 kg (143 lbs.)
 Adjustments: Vertical: 11 mm (7/16"); Depth: 11 mm (7/16")

Material: Steel

Finish	Item No.
zinc-plated	290.21.940



Flat head screws

pages 11.132-11.133, 11.135

Dimensional data not binding. We reserve the right to alter specifications without notice.

Dimensions in mm
 Inches are approximate