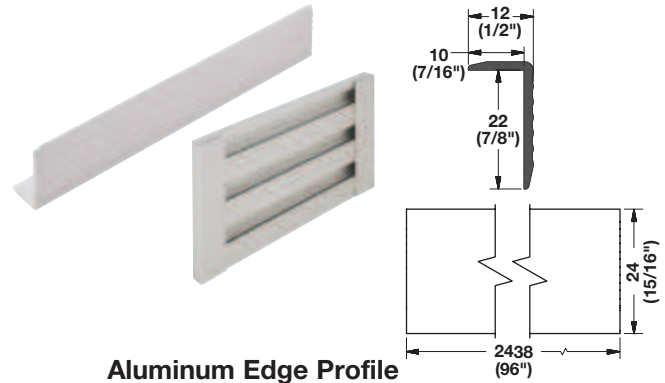
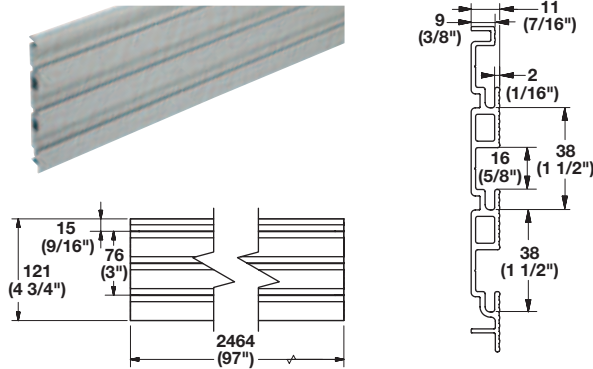


**Omni Track®**



**Wall Track**

- For organization of hooks, bins, and baskets for garages, craft rooms, laundry rooms, etc.
  - Can be used singly or configured into a panel by seamlessly overlapping the tracks above one another
  - Cut with a circular saw with a non-ferrous blade
  - Attach tracks to studs in dry wall with pan head screws below
- W x D X H: 2464 x 11 x 121 mm (97" x 4 3/4" x 1/2")

Material: Aluminum

Finish	Item No.
matt aluminum	792.00.000

**Aluminum Edge Profile**

- Covers the ends of the wall track for a finished look
  - Attaches to the wall track with mounting tape below
  - Cut with a circular saw with a non-ferrous blade
- W x H: 24 x 2438 mm (15/16" x 96")

Material: Aluminum

Finish	Item No.
matt aluminum	792.01.000

**Plastic End Caps**

- Covers the ends of one piece of wall track above for a finished look
  - Cannot be used on tracks that overlap above or below each other
  - Attaches to the wall track with attached dowels that slide into the end of the track
- W X H: 13 x 127 mm (5" x 1/2")

Material: Plastic

Color	Item No.
black	792.00.320

**Supplied With**

- 1 Right profile
- 1 Left profile

**Screw**

- Self-tapping #10 x 2"
- Square drive

Material: Steel

Item No.
792.01.993

**Supplied With**

25 pcs.

**Nail**

- For wall track installation
  - Used as a temporary means to position the wall track on a wall
  - Once position is determined, locate studs in the wall and drill a 5 mm (3/16") hole in the top and bottom channel of track to secure track with screws below
- W x L: 1.4 x 30 mm (1/16" x 1 3/16")

Material: Body: Steel; Color: black; Head: Brass

Item No.	Packing
792.01.997	1 pkg. (500 pcs.)
792.01.998	1 pkg. (50 pcs.)

**Mounting Tape**

- Attaches the aluminum edge profile above to the wall track
  - Cures in 72 hours at 68–72°
- W x L: 12 mm x 33 m (1/2" x 108')

Material: Acrylic

Item No.
792.01.994

**Screw Cover Caps**

Material: Plastic

Color	Item No.
silver	045.06.909

**Supplied With**

100 pcs.

Dimensional data not binding. We reserve the right to alter specifications without notice.