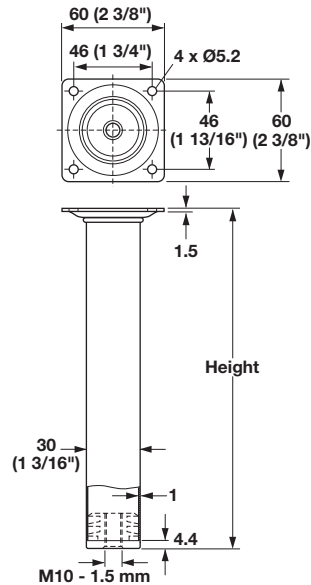


- For light duty applications
 - Heights listed are without levelers (order separately)
- Tube thickness: 1 mm (.039")
 Static weight rating approximately: 30 kg (66 lbs.) per leg

6



Mini Leg, Ø30 mm

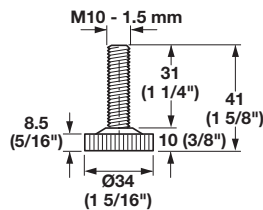
- With M10 threaded plastic insert

Material: Steel, epoxy-coated or polished
 Insert: Plastic; Color: black

Height	Black Semi-gloss	Polished Chrome
100 (4")	635.48.310	635.48.210
150 (6")	635.48.315	635.48.215
200 (7 7/8")	-	635.48.220
500 (19 3/4")	635.48.350	635.48.250

Supplied With
 4 Legs

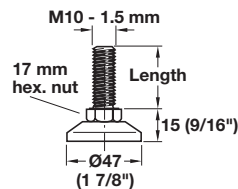
Leveler Options



Base Leveler - M10

Material: Thread: Steel; Finish: zinc-plated
 Base: Nylon; Color: black

Item No.
651.01.330

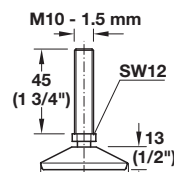


Base Leveler - M10

- With fixed foot

Material: Thread: Steel; Finish: zinc-plated
 Foot: Plastic; Color: black

Length	Item No.
30 (1 3/16")	651.01.304
50 (1 15/16")	651.01.500



Base Leveler

- Swivels with ball joint

Material: Thread: Steel; Foot: Plastic; Color: black

Finish	Item No.
zinc-plated	651.00.125

Dimensions in mm
 Inches are approximate