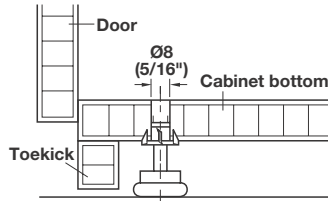
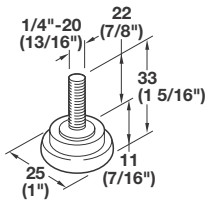


Base Leveler

1/4" - 20 mm x 1" threaded stem

Material: Steel; Finish: zinc-plated; Base: Plastic

Color (Base)	Item No.
brown	637.05.108
black	637.05.308
white	637.05.708

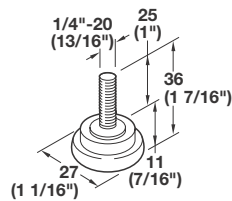


Base Leveler

1/4" - 20 mm x 22 mm threaded stem

Material: Steel; Finish: zinc-plated; Cap: Plastic

Color (Cap)	Item No.
black	651.04.332

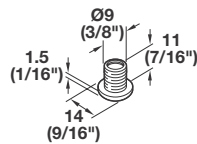


Base Leveler

1/4" - 20 mm x 25 mm threaded stem

Material: Steel

Finish	Item No.
nickel-plated	651.13.906

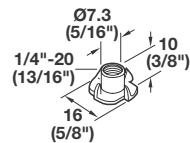


Knock-in Stem

1/4" - 20 mm x 11 mm

Material: Brass

Item No.
039.02.065



T-Nut

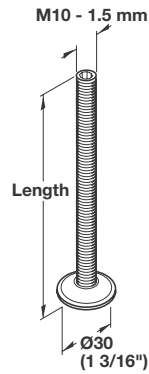
1/4" - 20 mm x 10 mm

Material: Steel

Finish	Item No.
zinc-plated	031.05.968

Dimensional data not binding. We reserve the right to alter specifications without notice.



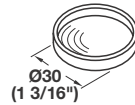


Base Leveler - M10

- With swiveling base plate and 5 mm hexagon socket

Material: Steel; Finish: zinc-plated

Length	Item No.
60 (2 3/8")	637.03.009
70 (2 3/4")	637.03.018
80 (3 3/16")	637.03.027
90 (3 9/16")	637.03.036
100 (4")	637.03.045
120 (4 3/4")	637.03.054



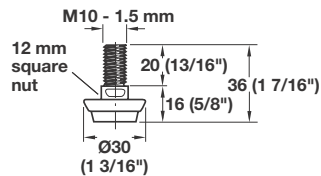
Protective Cap, optional

- Snaps over swiveling base plate (order separately)

Material: Plastic

Color	Item No.
white	637.02.090

6

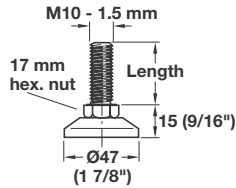


Base Leveler - M10

Material: Steel

Base: Rubber; Color: black

Finish	Item No.
zinc-plated	651.02.909

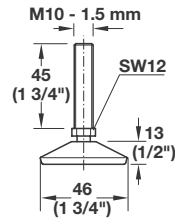


Base Leveler - M10

- With fixed foot

Material: Thread: Steel; Finish: zinc-plated
Foot: Plastic; Color: black

Length	Item No.
30 (1 1/8")	651.01.304
50 (2")	651.01.500

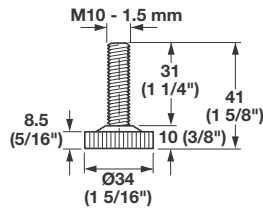


Base Leveler - M10

- Swivels with ball joint

Material: Thread: Steel; Foot: Plastic; Color: black

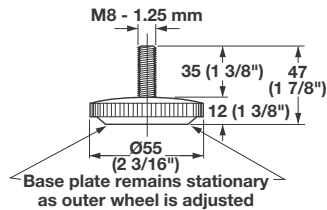
Finish	Item No.
zinc-plated	651.00.125



Base Leveler - M10

Material: Thread: Steel; Finish: zinc-plated
Foot: Nylon; Color: black

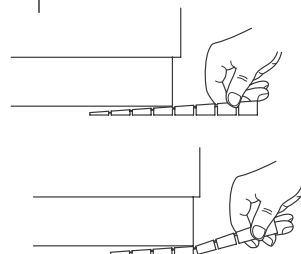
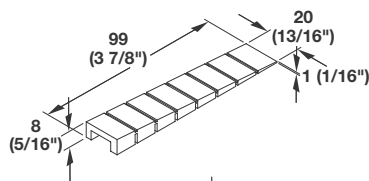
Item No.
651.01.330



Base Leveler - M8

Material: Thread: Steel; Finish: zinc-plated
Foot: Plastic; Color: black

Item No.
651.06.300



Furniture Wedge

- Perfectly levels the furniture for proper door function
- Place the strip under furniture to level, then snap off the sections
- Sections can be broken off from 1 - 8 mm (1/16" - 5/16")

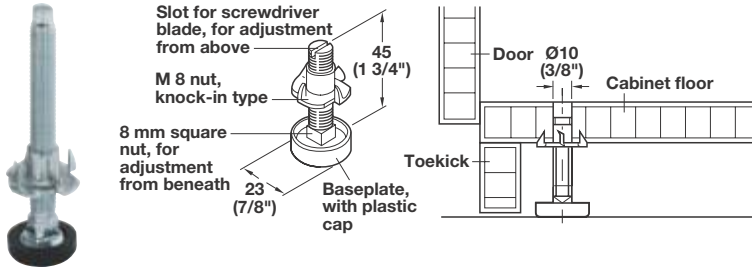
Material: Plastic

Color	Item No.
brown	006.90.900
white	006.90.920

Dimensional data not binding. We reserve the right to alter specifications without notice.

Dimensions in mm
Inches are approximate

- Adjustable from above through a hole in cabinet bottom and from below with an open-ended wrench

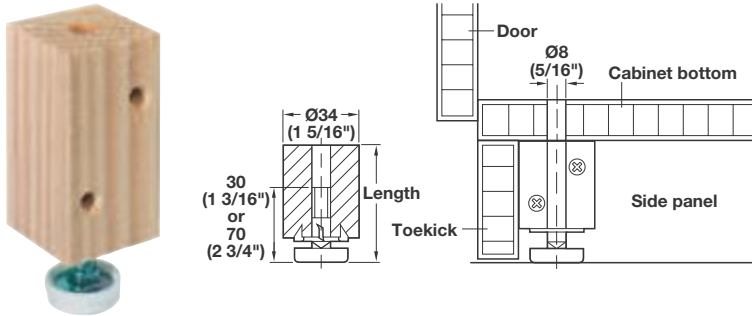


Base Leveler Screw

M8 X 45, with T-nut

Material: Steel; Finish: zinc-plated; Cap: Plastic

Color (Cap)	Item No.
white	637.05.000
black	637.05.300



Base Leveler

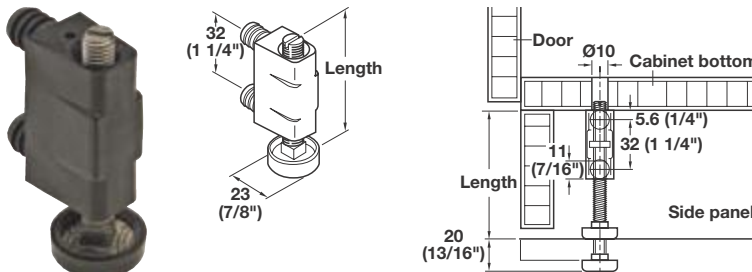
Material: Steel; Finish: zinc-plated
Mounting block: Wood
Cap: Plastic; Color: white

- With 30 mm (1 3/16") long screw x M8

Length	Item No.
55 (2 3/16")	637.12.229

- With 70 mm (2 3/4") long screw x M8

Length	Item No.
80 (3 1/8")	637.12.265
100 (3 15/16")	637.12.283



Base Leveler

- With press-fit plugs
- Minimum installation height: 50 mm (2")
- Adjustment range: +20 mm (3/4")
- Weight capacity: 50 kg (110 lbs)

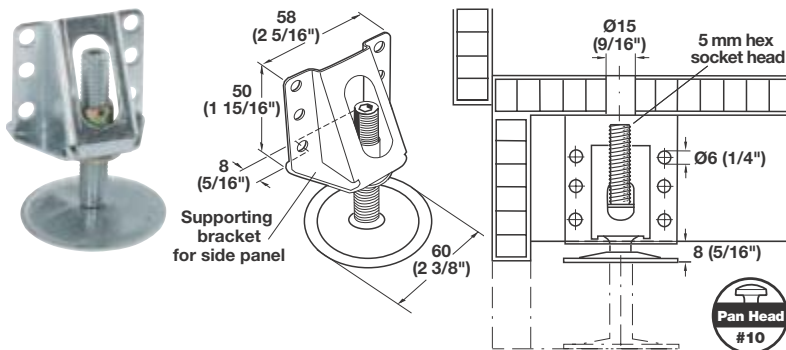
Material: Leveler and cap: Plastic; Color: black
Bolt: Steel; Finish: zinc-plated

Length	Item No.
60 (2 3/8")	637.11.320
80 (3 3/16")	637.11.348

Adjusts from above through a hole in cabinet bottom and from below with an open-ended wrench.

Supplied With

M8 bolt with slotted head
Base plate with plastic cap



Heavy-duty Base Leveler

- With supporting bracket
- Screw-mounted
- Minimum installation height: 70 mm (2 3/4")
- Adjustment range: +45 mm (1 3/4")
- Weight capacity: 200 kg (440 lbs)

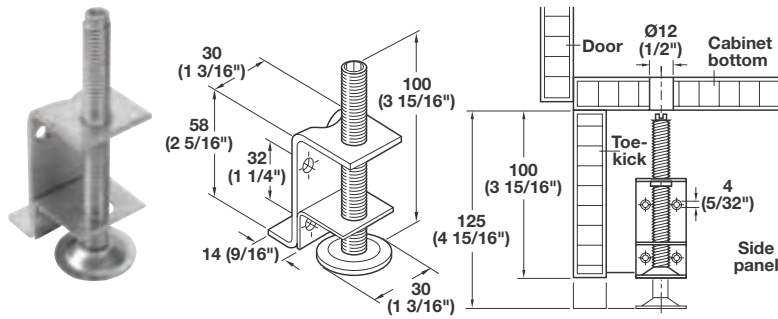
Material: Steel

Finish	Item No.
zinc-plated	637.67.900

Supplied With

M12 X 65 (2 9/16") bolt with M5 mm hexagonal socket head
Base plate Ø60 mm

Requires a Ø15 mm hole in the cabinet bottom for adjustment.



Base Leveler

- With supporting bracket
- Screw-mounted
- Minimum installation height: 100 mm (4")
- Adjusts via M5 hex key
- Adjustment range: + 32 mm (1 1/4")
- Weight capacity: 150 kg (330 lbs.)

Material: Steel

Finish	Item No.
zinc-plated	637.31.941

Supplied With

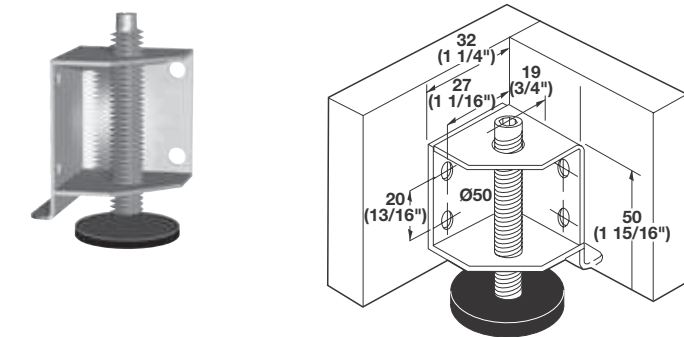
M10 X 100 (4") bolt
Swiveling base plate

Protective Cap, optional

- Snaps over swiveling base plate (order separately)

Material: Plastic

Color	Item No.
white	637.02.090



Base Leveler

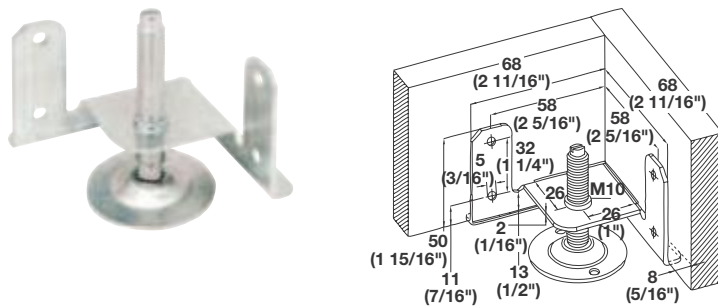
- With corner support
- Foot plate swivels for uneven surfaces
- Provides 20 mm (3/4") of adjustment
- Weight capacity: 150 kg (330 lbs.)

Material: Steel

Finish	Item No.
zinc-plated	637.37.904

Supplied With

M8 x 70 (2 3/4") bolt with M4 hexagonal socket head
Base plate Ø34 mm with plastic cap
2 Left levelers
2 Right levelers



Base Leveler

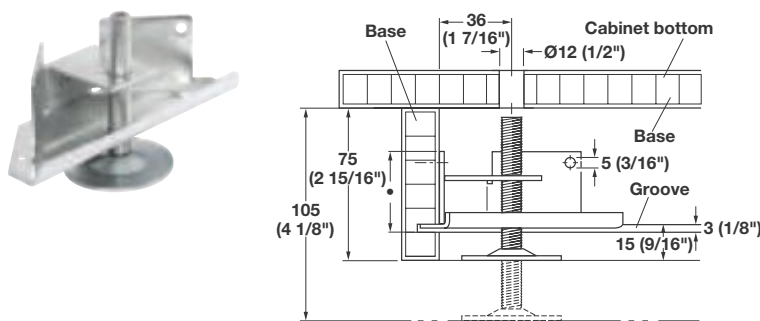
- With supporting bracket
- Groove or screw-mounted
- Provides +50 mm (2") of adjustment
- Weight capacity: 150 kg (330 lbs.)

Material: Steel

Finish	Item No.
zinc-plated	637.63.900

Supplied With

M10 x 70 (2 3/4") bolt with slotted head
Base plate Ø45 mm



Base Leveler

- With supporting bracket
- Groove or screw-mounted
- Minimum installation height: 75 mm (3")
- Adjustment range: + 30 mm (1 1/8")
- Weight capacity: 150 kg (330 lbs.)

Material: Steel

Finish	Item No.
zinc-plated	637.23.900

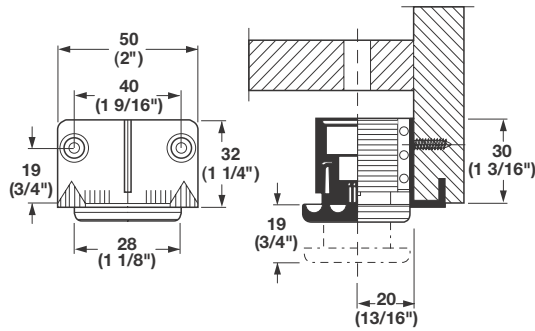
Supplied With

Threaded bolt M10 x 65 mm (2 9/16")
Hexagon socket M5
Swiveling base plate Ø50 mm (2")

Dimensional data not binding. We reserve the right to alter specifications without notice.

Pan head screws

pages 11.134-11.135

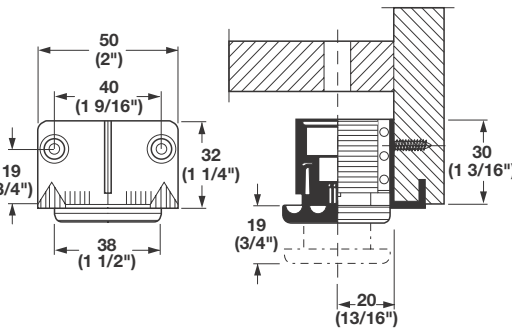


Base Leveler

- With pound-in prongs, screw-mounted
 - Adjusts via flat bladed screwdriver
- Weight capacity: 100 kg (220 lbs.)

Material: Steel, galvanized
Internal element & foot: Plastic; Color: black

Item No.
637.42.905



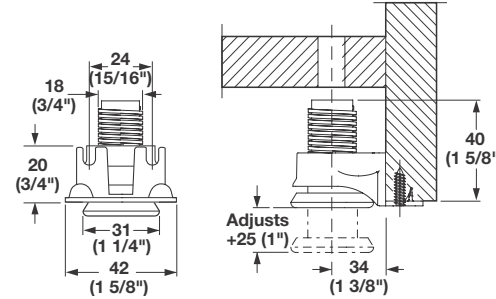
Heavy-duty Base Leveler

- With pound-in prongs, screw-mounted
 - Adjusts via 6 mm (1/4") hex key (not included)
- Weight capacity: 150 kg (330 lbs.)

Material: Steel, galvanized
Internal element: Zinc
Foot: Plastic; Color: black

Item No.
637.42.950

6

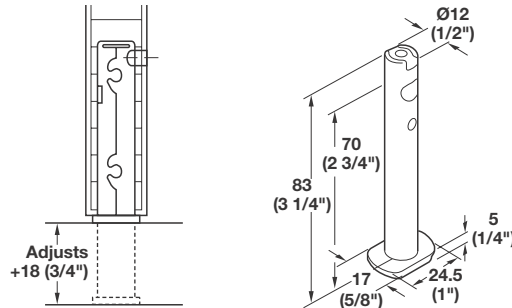


Base Leveler

- With pound-in prongs, screw-mounted
 - Adjusts with 6 mm (1/4") hex key, flat-bladed screw driver, or Phillips screwdriver
 - Integrated plastic glide functions independently of the foot to make adjustment easier and to prevent damage to floor surfaces
- Weight capacity: 175 kg (385 lbs.)

Material: Zinc, unfinished
Foot: Plastic; Color: black

Item No.
637.67.910

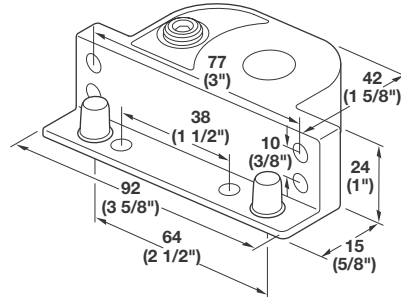


Adjustment Leveler

- Leveler is concealed in a min. 18 mm (3/4") thick panel
 - The adjustment feature is easy to operate and is driven by 4 mm hex key (sold separately)
 - Minimum installation height: 86 mm (3 3/8")
 - Easily mounted and requires only a Ø8 mm (5/16") hole in the panel for adjustment
- Static weight capacity: 150 kg (339 lbs.) per leveler

Material: Zinc, Steel; Finish: zinc die-cast
Foot: Plastic; Color: gray

Item No.
637.13.020



Leveler/Caster Combo

- Innovative design for furniture applications
 - Allows both mobility and leveling in a single unit
 - Unit is handed and used in pairs
 - Caster pivots 360°
 - Screw-mounted
 - Adjusts with M4 hex key (sold separately)
- Adjustment range: +15 mm (5/8")
Weight capacity: 120 kg (264 lbs.) for caster, 200 kg (440 lbs.) for leveler

Material: Housing: Nylon with glass fibers; Leveler: Steel

Color	Item No.
black	651.00.300

Supplied With

- 1 Right unit
- 1 Left unit



Insert Leveler

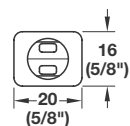
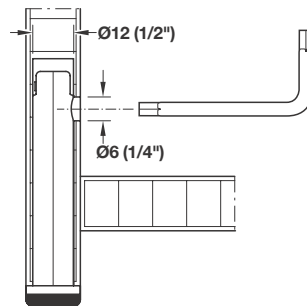
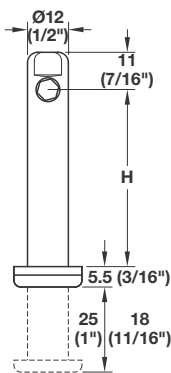
- Hexagon socket drive SW4 at side
- Height adjustment: +25 mm (1") + 18 mm (11/16")
with height 32 mm (1 1/4")
Weight capacity: approximately 300 kg (661 lbs.)

Material: Zinc alloy, unfinished

Height	Drilling Depth	Item No.
32 (1 1/4")	43 (1 11/16")	637.24.021
52 (2 1/16")	63 (2 3/16")	637.24.022
70 (2 3/4")	81 (3 3/16")	637.24.023
100 (4")	111 (4 3/8")	637.24.024
120 (4 3/4")	131 (5 5/32")	637.24.025

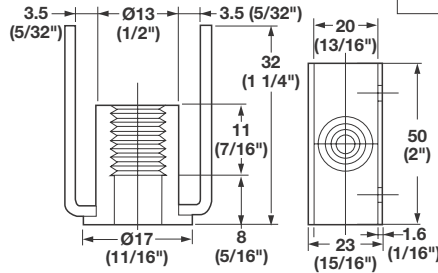
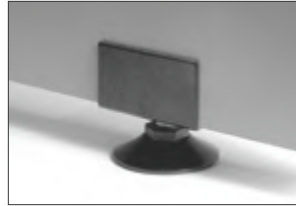
Note

Drilling Depth = Height + 11 mm (7/16")



Dimensional data not binding. We reserve the right to alter specifications without notice.

- Slightly oversized to allow for material thickness tolerances
- Holes on one side for fastening

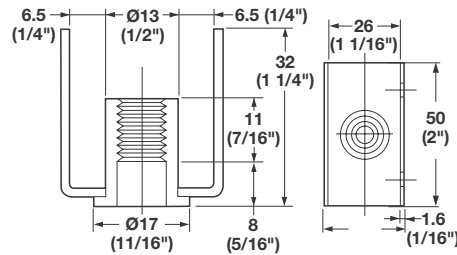


U-Bracket

- For 19 mm (3/4'') thick material

Material: Steel, epoxy-coated; Color: black

Thread Size	Item No.
1/4"-20	637.95.311
5/16"-18	637.95.312
M10 - 1.5 mm	637.95.314

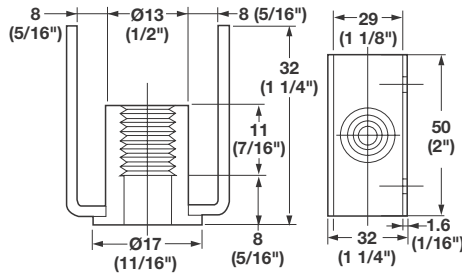


U-Bracket

- For 25 mm (1'') thick material

Material: Steel, epoxy-coated; Color: black

Thread Size	Item No.
1/4"-20	637.95.321
M10 - 1.5 mm	637.95.324



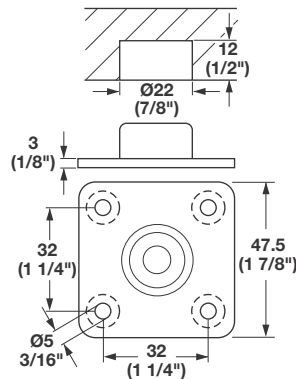
U-Bracket

- For 28 mm (1 1/8'') thick material

Material: Steel, epoxy-coated; Color: black

Thread Size	Item No.
M10 - 1.5 mm	637.95.334

6



Threaded Plate

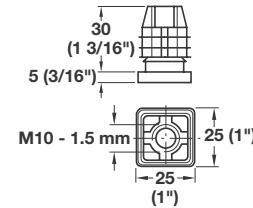
- With M10 - 1.5 mm internal thread
- Heavy-duty, screw-mounted
- For levelers or casters

Material: Zinc, plated

Internal thread element: Steel

Finish	Item No.
nickel-plated	637.07.910

Supplied With
50 pcs.



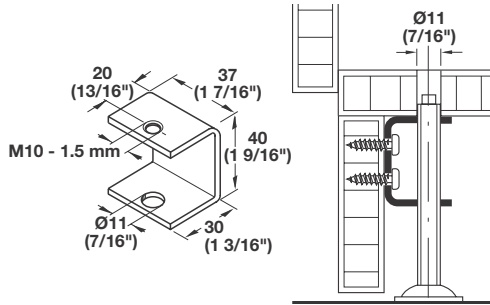
Glide

- With M10 - 1.5 mm internal thread
- Press-fit into square tubes, 1.5-2 mm thick

Material: Plastic

Color	Item No.
black	652.11.627

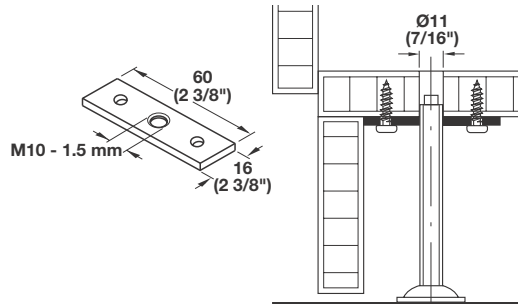
Supplied With
100 pcs.



Screw-mount Bracket - M10

Material: Steel

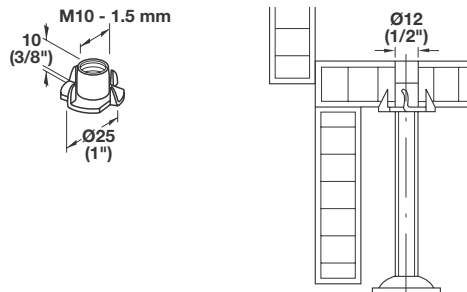
Finish	Item No.
zinc-plated	637.07.004



Screw-mount Plate - M10

Material: Steel

Finish	Item No.
zinc-plated	637.09.008



T-Nut - M10

Material: Steel, unfinished

Item No.
031.00.301

Dimensional data not binding. We reserve the right to alter specifications without notice.

6