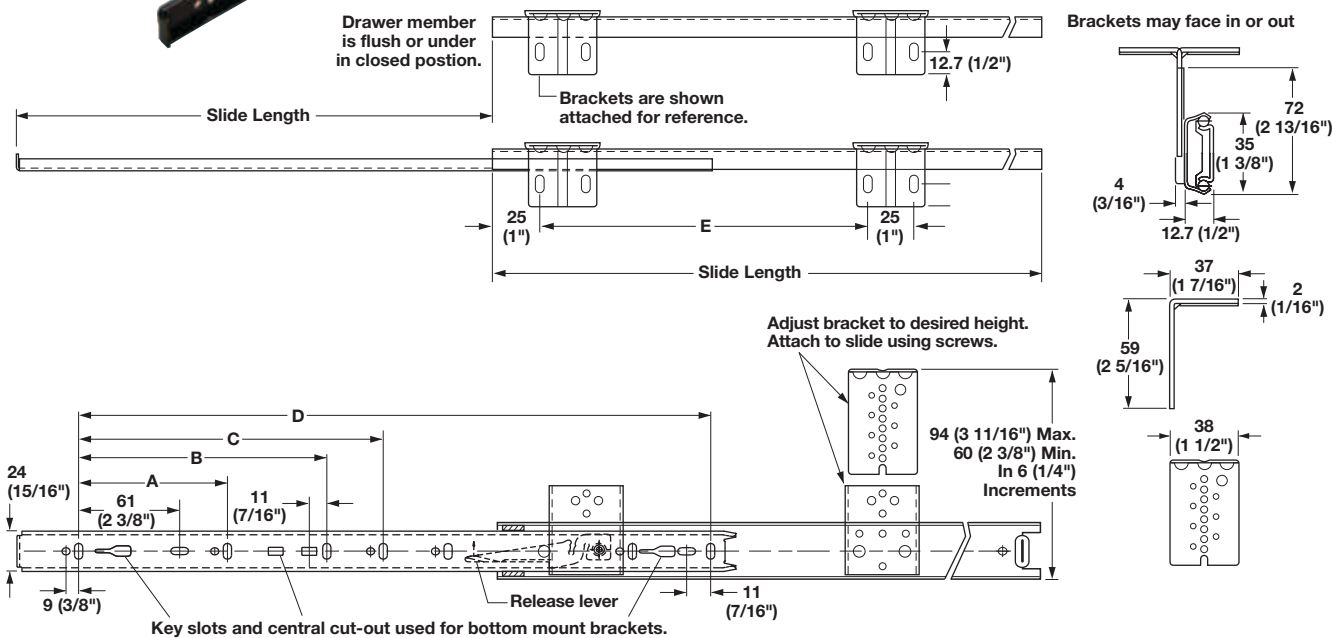
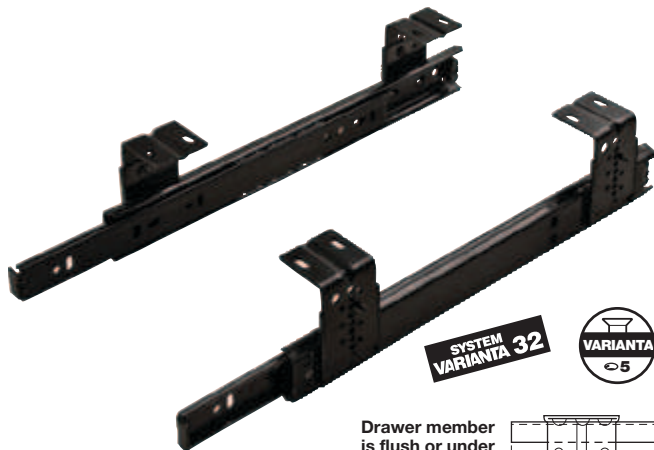
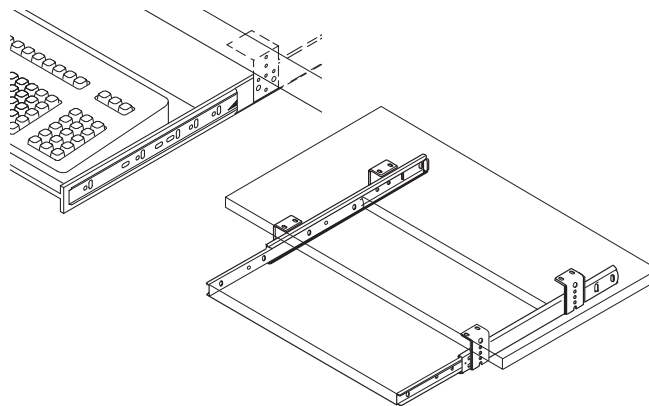


Accuride 3/4 Extension

Weight capacity: 34 kg (75 lbs.)/pair

- For drawers up to 406 mm (16") wide
- Detent-out with lever disconnect
- Features mounting brackets that are height adjustable and reversible
- For computer keyboard, printer shelf and pencil drawer applications



2109 - Top Mounted

Material: Steel; Finish: black

Slide Length	Slide Travel	A	B	C	D	E	Item No.
300 (12")	205 (8")	96 (3 7/8")	-	-	242 (9 1/2")	215 (8 1/2")	422.14.300
350 (14")	260 (10 1/4")	128 (5")	-	-	292 (11 1/2")	215 (8 1/2")	422.14.335
400 (15 3/4")	281 (11")	128 (5")	-	-	342 (13 1/2")	215 (8 1/2")	422.14.340
450 (17 3/4")	331 (13")	128 (5")	224 (8 13/16")	-	392 (15 7/16")	215 (8 1/2")	422.14.345
500 (19 11/16")	376 (14 3/4")	128 (5")	224 (8 13/16")	-	442 (17 7/16")	292 (11 1/2")	422.14.350
550 (21 21/32")	415 (16 3/8")	128 (5")	224 (8 13/16")	320 (12 5/8")	492 (19 3/8")	292 (11 1/2")	422.14.355

Dimensional data not binding. We reserve the right to alter specifications without notice.

Varianta screws

page 11.142

Dimensions in mm
Inches are approximate