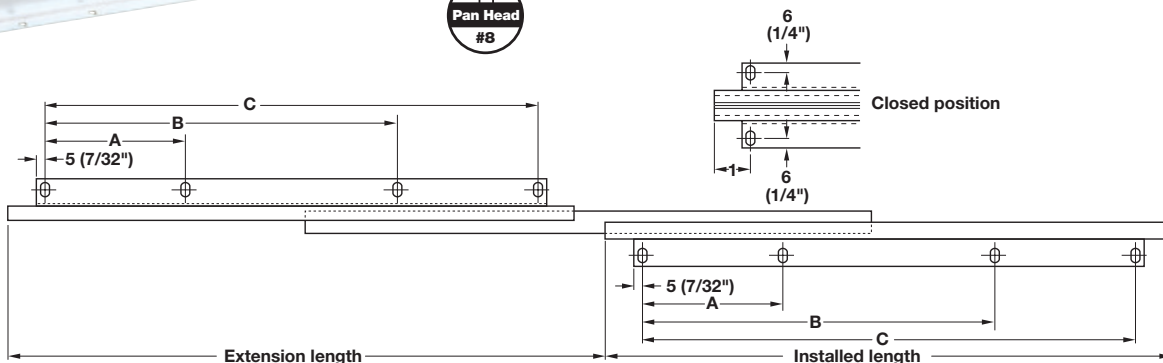
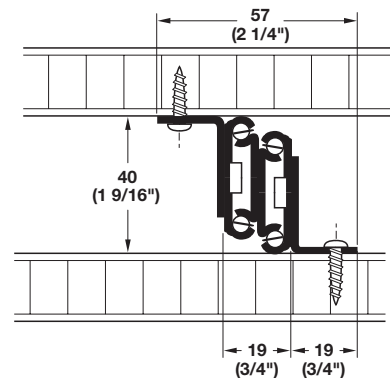


Accuride Over Extension

Weight capacity 38.5-67 kg (85-150 lbs.)

- For drawers up to 406 mm (16") wide
- Features hold-in detent
- Non-disconnect
- With top and bottom mounting brackets
- With 7/8" overtravel
- For kitchen pantry slide-out units, TV shelves, store fixtures, and institutional furniture applications



301-2590 - Base Mounted

Material: Steel; Finish: zinc-plated

Installed Length	Extension Length	Weight Capacity	A	B	C	Item No.
356 (14")	377 (14 7/8")	67 kg (148 lbs.)	102 (4")	203 (8")	305 (12")	422.08.310
406 (16")	429 (16 7/8")	63.5 kg (140 lbs.)	102 (4")	254 (10")	356 (14")	422.08.408
457 (18")	479 (18 7/8")	59 kg (130 lbs.)	102 (4")	305 (12")	406 (16")	422.08.453
508 (20")	530 (20 7/8")	55 kg (122 lbs.)	179 (7")	279 (11")	457 (18")	422.08.506
559 (22")	581 (22 7/8")	51 kg (113 lbs.)	179 (7")	330 (13")	508 (20")	422.08.551
610 (24")	631 (24 7/8")	47 kg (104 lbs.)	179 (7")	381 (15")	559 (22")	422.08.600
660 (26")	682 (26 7/8")	43 kg (95 lbs.)	179 (7")	432 (17")	610 (24")	422.08.650
711 (28")	732 (28 7/8")	38.5 kg (85 lbs.)	179 (7")	483 (19")	660 (26")	422.08.700

8