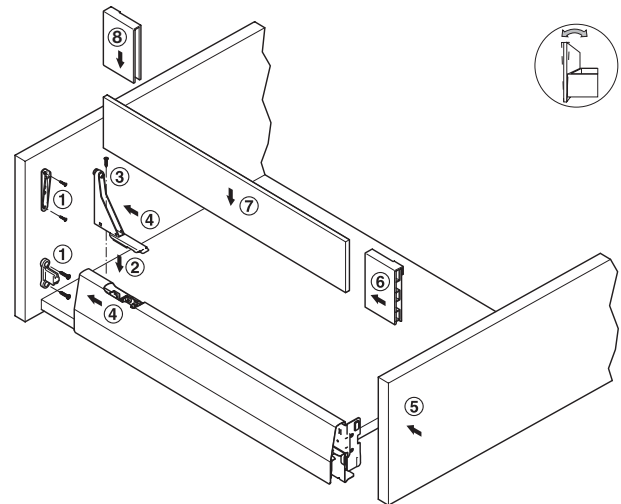
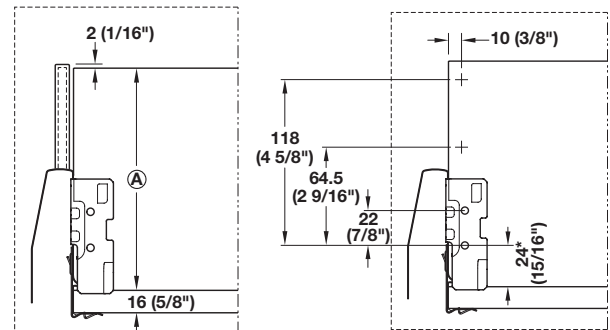
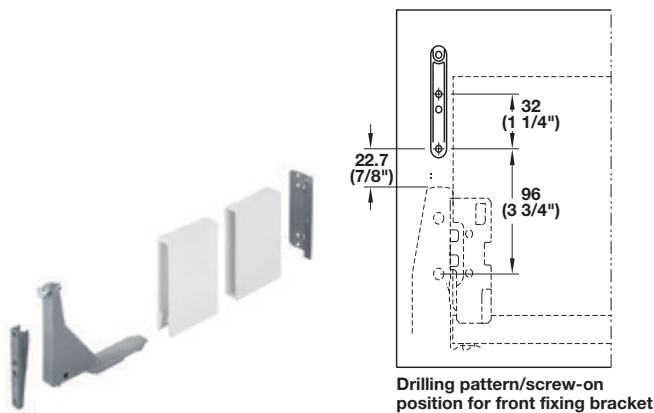


**Häfele MX Side panel**  
**For MX Drawer Side Runner System**

- For individual design with 8 mm thick panel made from glass, wood, or acrylic
- The tilting angle of the drawer front panel can be adjusted using slotted screw
- With tension spring, for mounting (clatter prevention) the panel
- For placing onto MX drawer sides, for screw mounting to drawer front and rear panel, cover caps and panel holders for clip mounting at rear



8



**Note**

- Installation dimensions for individually manufactured panels:
- Material thickness 8 mm (5/16")
  - Height 82 mm (3 1/4")
  - Panel length = nominal length – 45 mm (1 3/4")

**Panel Fittings**

Height: 86 mm (3 3/8")

Material: Flint Glass

Color	Item No.
white	553.60.699
anthracite	551.60.999

**Supplied With**

- 2 Front fixing brackets
- 2 Panel holders with tension spring, adjustable screw for front bracket and insert for MX drawer sides
- 2 Cover caps
- 2 Panel holders, rear
- 2 Rear panel fittings

**Note**

Please order MX steel drawer set, drawer side height 92 mm (3 5/8"), separately.

**Glass Panel**

- Edges are sanded and bevelled
- For glass thickness: 8 mm (5/16")

Material: Flint Glass

Length	Clear	Frosted
270 (10 5/8")	553.60.440	553.60.140
300 (11 13/16")	553.60.441	553.60.141
350 (13 3/4")	553.60.442	553.60.142
400 (15 3/4")	553.60.443	553.60.143
450 (17 11/16")	553.60.444	553.60.144
500 (19 11/16")	553.60.445	553.60.145
550 (21 5/8")	553.60.446	553.60.146
600 (23 5/8")	553.60.447	553.60.147
650 (25 9/16")	553.60.448	553.60.148
700 (27 9/16")	553.60.449	553.60.149

**Supplied With**

1 pair

Flat head wood screws	page 11.140
Varianta euro screws	page 11.142

