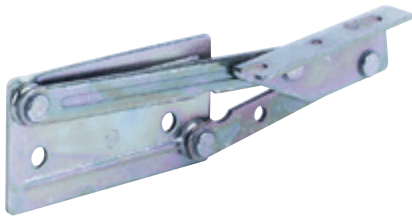
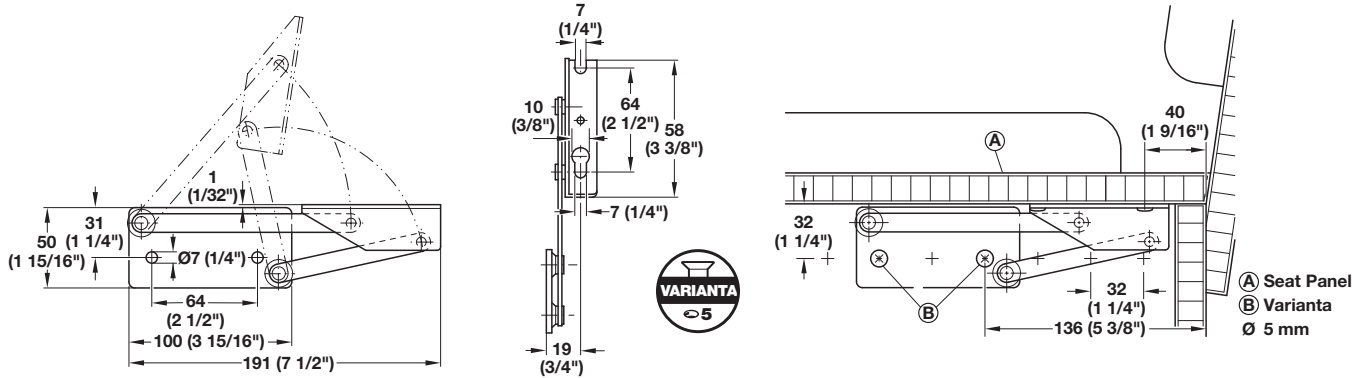


Bench Seat Hinge

- Hinge design ensures safe retention of seat top in raised position at an angle of 95°
- Approximately 110 mm (4 5/16") of forward movement is guaranteed
- Unrestricted opening even of fully upholstered seats, as a joint is not required between the seat and back
- Hinge joints incorporate a stop to prevent the open seat from slamming against the fitting
- Springs for seat tops weighing 8 and 12 kg (17.6 – 26.4 lbs.) counterbalance the weight of the seat top and assist opening



Without Spring

- For light-weight seat tops

Material: Steel; Finish: blue zinc

	Item No.
	643.01.500



With Spring

- For panel weights up to 8 or 12 kg (17.6 or 26.4 lbs.)

Material: Steel; Finish: blue zinc

Panel weight	Item No.
up to 8 kg (17.6 lbs.)	643.01.516
up to 12 kg (26.4 lbs.)	643.01.525