

Heavy Duty Maxi

- For doors made of wood, glass or with aluminum frame
- All common applications for doors and openings can be achieved by changing mounting position and combining Maxi with the appropriate accessories
- Applications include fronts with and without handle, aluminum frame and all-glass fronts, automatic opening to the end position, multi-position stop and easy opening of heavy fronts
- Can be used on one or both sides depending on the size of the door
- Holding power can be adjusted individually to respective flap weight

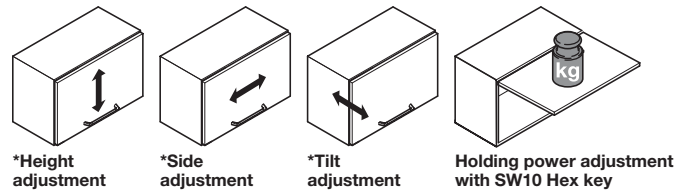


Finishes

Black, nickel-plated or white

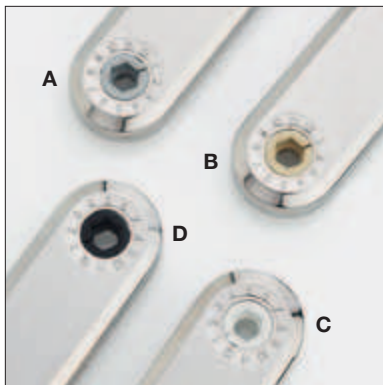


Front adjustment facility



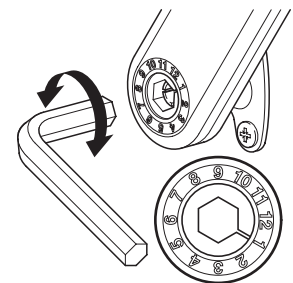
Note

*Depends on the hinges that are installed.



Overview of finish designation

(Adjusting screw) for differentiating the models "A", "B", "C" and "D"



Hex Key, 10 mm

Material: Steel

Finish	Item No.
nickel-plated	008.28.100

Note

Use numbers 1 – 8 for adjusting the holding power.
 Use numbers 9 – 12 to re-adjust door after a certain time (if necessary).

SW10 Hex Key

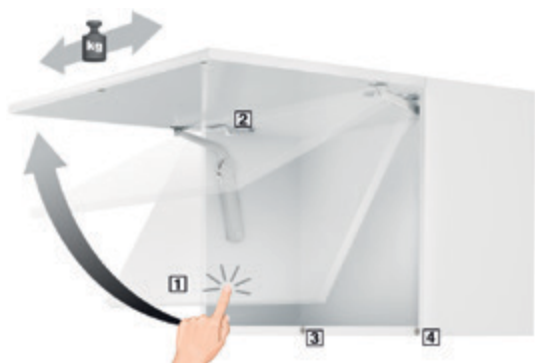
Material: Plastic; Color: gray

Item No.
235.79.301

Dimensional data not binding. We reserve the right to alter specifications without notice.

Maxi - Applications

- For handle-free doors



Maxi - Applications

- For doors with handle



Push-To-Open for Automatic Complete Opening

- 1 Slight pressure on the front opens the door completely to the end position.
- 2 Application in combination with Salice Push concealed hinges.
- 3 Door is held closed by magnetic door catch and counter plate on the front panel.
- 4 Additional magnets for holding the door closed (optional).

Application	page 9.124
Fitting	page 9.130
Accessories for Push	page 9.128

Touch-To-Open for Opening the Door Slightly and with Multi-Position Stop

- 1 Slight pressure on the front opens the door slightly, then it can be opened and closed completely by hand. The front is locked reliably in any position.
- 2 Application in combination with Salice Push concealed hinges.
- 3 Door is held closed by magnetic door catch and counter plate on the front panel.
- 4 Additional magnets for holding the door closed (optional).

Application	page 9.125
Fitting	page 9.130
Accessories for Push	page 9.128

For Power-Assisted Opening of the Door

- 1 For wide and heavy doors with handle.
- 2 Door locks reliably in any position.
- 3 Less manual force needed to open the door.
- 4 Application in combination with concealed hinges with or without automatic closing.
- 5 Optional soft closing mechanism available (recommended).

Application	page 9.126
Fitting	page 9.130
Accessories/Soft closing mechanism	page 9.129

For Particularly Wide and Heavy Doors

- 1 For particularly wide and heavy doors with handle.
- 2 Door locks reliably in any position.
- 3 Mounting in series drilled holes 32 mm (1 1/4"); Edge distance: 37 or 28 mm (1 7/16" or 1 1/8").
- 4 Application in combination with concealed hinges with or without automatic closing.
- 5 Optional soft closing mechanism available (recommended).

Application	page 9.127
Fitting	page 9.128
Accessories/Soft closing mechanism	page 9.129

Dimensional data not binding. We reserve the right to alter specifications without notice.

Maxi - Applications

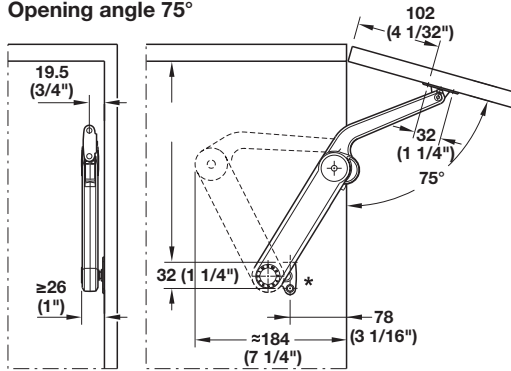
Push-to-open for Automatic Complete Opening

Note

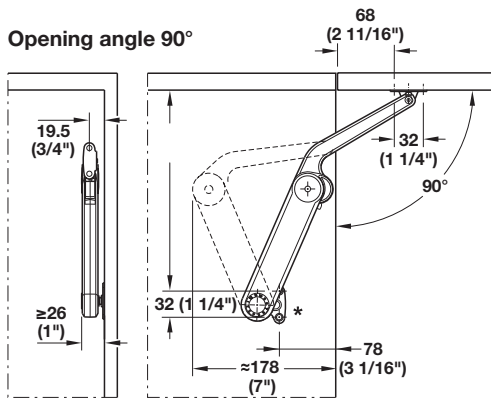
The following dimensions and sample measurement tables must be strictly observed for this kind of application. Two Maxi fittings must be installed for door widths from 600 mm (24") and above. The weight specification applies to one Maxi fitting. When using two Maxi fittings the door weight values double. Application in combination with Salice Push concealed hinges and magnetic door catches. For secure closing of the door use 1x Push magnetic door catch (356.06.401) and (in a certain distance) an additional magnet (356.06.441) each.



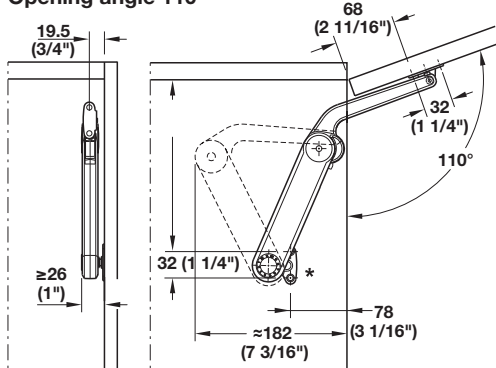
Opening angle 75°



Opening angle 90°



Opening angle 110°



*Dimensions for Maxi with mounting bracket for 37 mm (1 7/16") edge distance

Door height	Door weight lbs.			
	Model A	Model B	Model C	Model D
For opening angle 75°				
12"	5.2 - 7.2	9.9 - 14.9	12.1 - 20.9	18.9 - 25.9
16"	3.7 - 5	7.9 - 11.6	10.1 - 16.9	13.2 - 22.2
20"	-	5.9 - 10.3	9.4 - 15.4	12.7 - 20.2
24"	-	4.6 - 7.2	6.3 - 11.2	8.5 - 14.5
28"	-	4.6 - 6.6	5.7 - 9.9	7.4 - 12.7
32"	-	-	5.5 - 9.2	7.2 - 12.1
36"	-	-	4.6 - 8.1	6.1 - 10.5
40"	-	-	4.4 - 7.4	5.9 - 9.6
For opening angle 90°				
12"	3.7 - 5.2	6.8 - 10.1	8.3 - 15.4	12.7 - 21.5
16"	-	5.2 - 8.1	6.8 - 12.1	9.2 - 15.6
20"	-	3.5 - 6.3	5.7 - 9.9	7.4 - 12.7
24"	-	3.3 - 5.2	4.6 - 7.9	6.3 - 10.5
28"	-	2.6 - 4.6	3.3 - 7	5.5 - 8.8
32"	-	-	2.8 - 6.3	4.8 - 8.3
36"	-	-	2.4 - 5.7	4.1 - 7.2
40"	-	-	-	3.5 - 6.6
For opening angle 110°				
12"	-	5.9 - 8.8	7.7 - 13.4	11.2 - 17.1
16"	-	3.9 - 6.6	5.9 - 10.1	7.4 - 11
20"	-	3.7 - 5.2	5 - 8.1	6.6 - 10.7
24"	-	3 - 4.6	3.9 - 6.8	5.5 - 9.2
28"	-	-	3.5 - 5.9	4.8 - 7.7
32"	-	-	-	3.9 - 6.8
36"	-	-	-	3 - 6.3
40"	-	-	-	2.6 - 5.7

Maxi - Applications

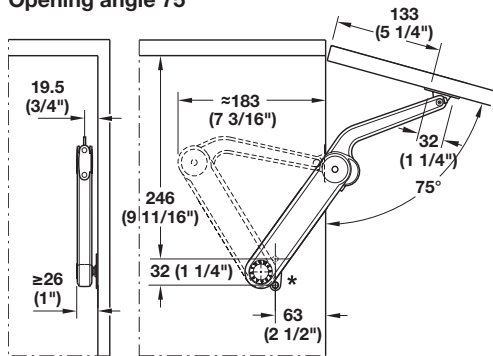
Touch-to-open For Opening the Door Slightly and with Multi-Position Stop

Note

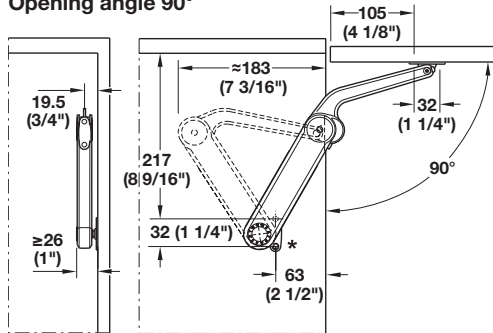
The following dimensions and sample measurement tables must be strictly observed for this kind of application. Two Maxi fittings must be installed for door widths from 600 mm (24") and above. The weight specification applies to one Maxi fitting. When using two Maxi fittings the door weight values double. Application in combination with Salice Push hinges and magnetic door catches.



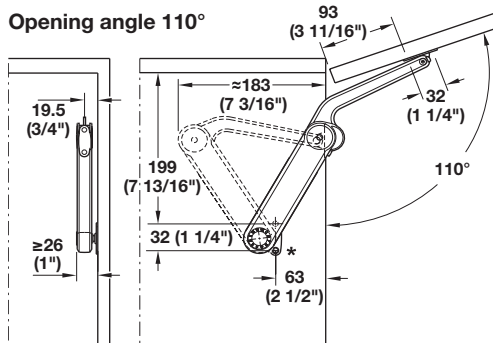
Opening angle 75°



Opening angle 90°



Opening angle 110°



*Dimensions for Maxi with mounting bracket for 37 mm (1 7/16") edge distance

Door height	Door weight lbs.			
	Model A	Model B	Model C	Model D
For opening angle 75°				
12"	4.4 - 8.4	8.8 - 17	15.4 - 30.8	-
16"	3.5 - 6.8	6.6 - 13.9	11 - 25.3	15.4 - 27.5
20"	2.9 - 5.5	5.9 - 11.4	10.3 - 18.5	12.1 - 23.1
24"	-	5.3 - 9.9	9.5 - 17.2	10.3 - 18.5
28"	-	4.8 - 8.8	8.8 - 16.5	9.5 - 17.6
32"	-	-	7.9 - 13.6	8.6 - 16.1
36"	-	-	7.5 - 12.8	7.7 - 14.7
For opening angle 90°				
12"	4.4 - 7.7	7.3 - 14.8	13.6 - 22.7	17.1 - 30
16"	3.3 - 5.7	5.5 - 11	12.1 - 17.1	12.8 - 22.4
20"	2.6 - 4.6	4.4 - 8.8	7.9 - 13.9	10.3 - 18
24"	2.2 - 4	3.7 - 7.3	6.6 - 11.4	8.6 - 15
28"	2 - 3.1	3.1 - 5.9	5.5 - 9.5	7 - 12.6
32"	1.5 - 2.9	2.6 - 5.7	4.8 - 8.6	6.4 - 11.2
36"	1.5 - 2.6	2.4 - 4.8	4.4 - 7.5	5.7 - 9.9
40"	1.3 - 2.2	2.2 - 4.4	4 - 6.8	5.2 - 9
For opening angle 110°				
12"	2.6 - 6.4	5.7 - 12.1	10.1 - 21	-
16"	2 - 4.8	4.4 - 9.7	8.4 - 15.4	10.1 - 19.1
20"	1.5 - 4	3.7 - 7.5	6.8 - 12.8	8.1 - 14.3
24"	-	3.1 - 6.6	5.7 - 10.3	6.8 - 12.8
28"	-	-	5.1 - 9	6.2 - 9.9
32"	-	-	4 - 6.8	5.3 - 9
36"	-	-	-	4.6 - 8.6
40"	-	-	-	4 - 8.1

Dimensional data not binding. We reserve the right to alter specifications without notice.

Information	page 9.122
Maxi complete set/individual fitting	page 9.128
Accessories for Push	page 9.130

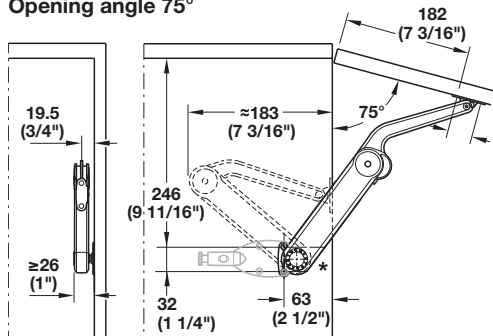
Maxi - Application with Handle
For Power-assisted Opening of the Door

Note

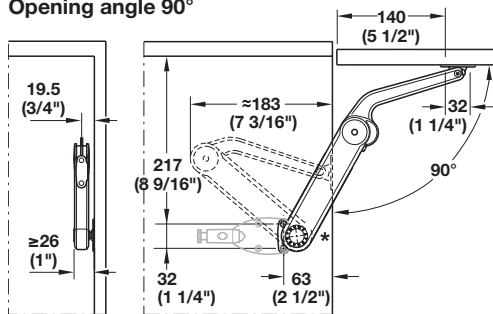
The following dimensions and sample measurement tables must be strictly observed for this kind of application. Two Maxi fittings must be installed for door widths from 600 mm (24") and above. The weight specification applies to one Maxi fitting. When using two Maxi fittings the door weight values double. Application in combination with concealed hinges with or without self closing.



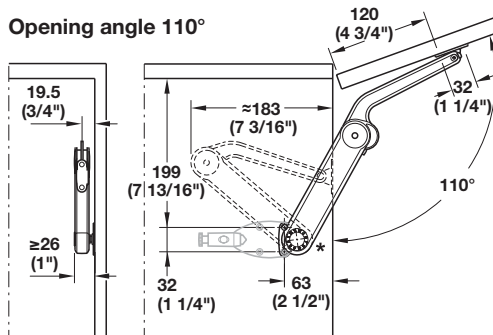
Opening angle 75°



Opening angle 90°



Opening angle 110°



*Dimensions for Maxi with mounting bracket for 37 mm (1 7/16") edge distance

Door height	Door weight lbs.			
	Model A	Model B	Model C	Model D
For opening angle 75°				
16"	4.9 - 8.8	9.5 - 18	15.6 - 30.8	-
20"	4 - 7.1	7.5 - 15.4	14.1 - 25.3	15 - 29.5
24"	3.5 - 6.6	6.4 - 12.1	11.2 - 22	14.1 - 24.6
28"	3.1 - 6.2	5.7 - 11.2	10.8 - 20	11.7 - 22.4
32"	-	5.3 - 10.1	8.8 - 16.3	10.8 - 19.8
36"	-	4.8 - 9.7	8.4 - 15.4	10.3 - 18
40"	-	4.4 - 9.2	7.7 - 14.7	9.7 - 16.8
For opening angle 90°				
12"	5.9 - 11.2	11 - 18.7	17.6 - 26.4	19.8 - 33
16"	4.6 - 7.7	9.9 - 14.7	12.8 - 24.7	15.8 - 29.7
20"	3.5 - 5.7	7.7 - 12.1	9.9 - 19.4	13.2 - 24.2
24"	2.9 - 4.8	5.9 - 9.5	8.6 - 16.9	10.6 - 18.7
28"	2.6 - 4.4	5.5 - 8.1	7 - 14.1	9.2 - 16.7
32"	-	5.3 - 7.5	6.6 - 11.9	7.7 - 14.7
36"	-	-	5.9 - 11.4	6.6 - 13.2
40"	-	-	-	5.9 - 12.1
For opening angle 110°				
12"	3.1 - 7.1	6.8 - 13	11.9 - 22	-
16"	2.6 - 5.5	6.6 - 11	9.2 - 17.8	10.6 - 19.8
20"	2 - 4.4	4.8 - 8.4	7 - 13.9	6.2 - 16.5
24"	1.5 - 3.3	4.2 - 7.7	5.9 - 13.2	7.7 - 15
28"	-	3.7 - 5.9	5.5 - 9.9	6.6 - 11.4
32"	-	-	4.8 - 7.9	5.7 - 10.3
36"	-	-	-	5.1 - 9.5
40"	-	-	-	4.4 - 8.8

Information	page 9.122
Maxi complete set/individual fitting	page 9.128
Accessories/optional soft closing mechanism	page 9.129

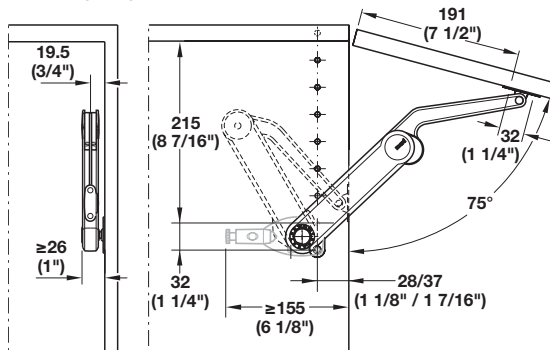
Maxi - Application with Handle
For Particularly Wide and Heavy Doors

Note

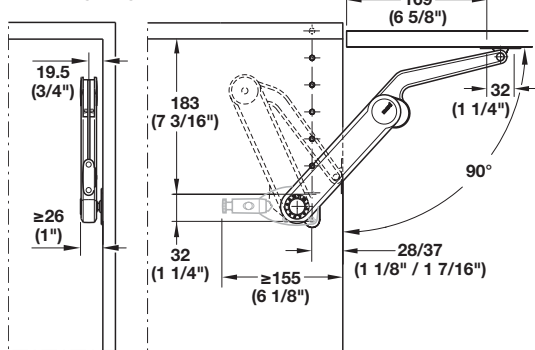
The following dimensions and sample measurement tables must be strictly observed for this kind of application. Two Maxi fittings must be installed for door widths from 600 mm (24") and above. The weight specification applies to one Maxi fitting. When using two Maxi fittings the door weight values double. Application in combination with concealed hinges with or without self closing.



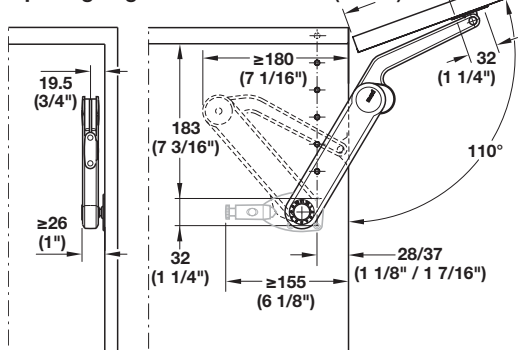
Opening angle 75°



Opening angle 90°



Opening angle 110°



Door height	Door weight lbs.			
	Model A	Model B	Model C	Model D
For opening angle 75°				
12"	8.4 - 15.6	14.7 - 30.1	26.2 - 46.2	33.9 - 60.1
16"	6.2 - 11.7	11 - 22.7	19.6 - 34.8	25.5 - 45.1
20"	5.1 - 9.5	9 - 18.3	15.8 - 27.5	20.7 - 35.6
24"	4.2 - 7.7	7.3 - 15.4	13 - 23.3	16.7 - 30.1
28"	3.5 - 6.6	6.2 - 12.5	11 - 19.4	14.3 - 25.1
32"	3.1 - 5.9	5.5 - 11.2	9.7 - 17.4	12.5 - 22.9
36"	2.9 - 5.3	4.8 - 10.1	8.8 - 15.4	5.5 - 20
40"	2.4 - 4.6	4.4 - 9	7.9 - 13.9	10.1 - 18
For opening angle 90°				
12"	6.6 - 11.7	11.2 - 22.4	20 - 34.8	26.2 - 45.8
16"	5.1 - 8.8	8.4 - 16.7	15.2 - 26.2	19.6 - 34.3
20"	4 - 7	5.3 - 13.4	12.1 - 21.1	15.8 - 27.5
24"	3.3 - 5.9	5.7 - 11.22	10.1 - 17.4	13.2 - 22.9
28"	2.9 - 4.8	4.6 - 9.2	8.4 - 14.5	10.8 - 19.1
32"	2.4 - 4.4	4.2 - 8.6	7.5 - 13	9.7 - 17.2
36"	2.2 - 4	3.7 - 7.5	6.6 - 11.4	8.6 - 15.2
40"	1.3 - 3.5	3.3 - 6.6	5.9 - 10.3	7.9 - 13.6
For opening angle 110°				
12"	5.3 - 8.8	8.6 - 16.5	15 - 25.6	20.2 - 33
16"	4 - 6.6	6.4 - 12.3	11.2 - 19.1	15.2 - 24.7
20"	3.1 - 5.3	5.3 - 9.9	8.8 - 15.6	12.5 - 19.8
24"	2.6 - 4.4	4.2 - 8.4	7.3 - 13	9.9 - 16.8
28"	2.2 - 3.7	3.7 - 6.8	6.4 - 10.6	8.4 - 13.6
32"	2 - 3.1	3.1 - 6.2	5.7 - 9.5	7.5 - 12.3
36"	1.8 - 2.9	2.9 - 5.5	5.1 - 8.4	6.6 - 11
40"	1.5 - 2.6	2.4 - 4.8	4.4 - 7.7	5.9 - 9.9

Dimensional data not binding. We reserve the right to alter specifications without notice.

Information	page 9.122
Maxi complete set/individual fitting	page 9.128
Accessories/optional soft closing mechanism	page 9.129

Dimensions in mm
Inches are approximate

Maxi

- For doors made of wood, glass or with aluminum frame
- For left and right hand use
- Installs without tools (clip-on)
- Holding power adjustment



Complete Set

- For doors made of wood or with aluminum frame
- From frame width: 45 mm (1 3/4")
- Edge distance: 37 mm (1 7/16")

Material: Stay: Zinc alloy; Brackets: Steel

Model	Nickel-plated	White	Black
A	373.69.512	373.69.742	–
B	373.69.412	373.69.744	–
C	373.69.712	373.69.746	–
D	373.69.312	373.69.748	373.69.348

- For doors with aluminum frame
- From frame width: 20 mm (13/16")
- Edge distance: 37 mm (1 7/16")

Material: Stay: Zinc alloy; Brackets: Steel; Finish: nickel-plated

Model	Item No.
A	373.69.502
B	373.69.402
C	373.69.702
D	373.69.302

Supplied with

Lid stay
 Mounting bracket for cabinet
 Screw-on bracket for door (for Euro screws)

Note

Use two Maxi fittings for flap widths from 600 mm (23 5/8") and above.

Individual Fitting

Material: Zinc alloy; Finish: nickel-plated

Model	Item No.
A	373.69.902
B	373.69.900
C	373.69.901
D	373.69.903

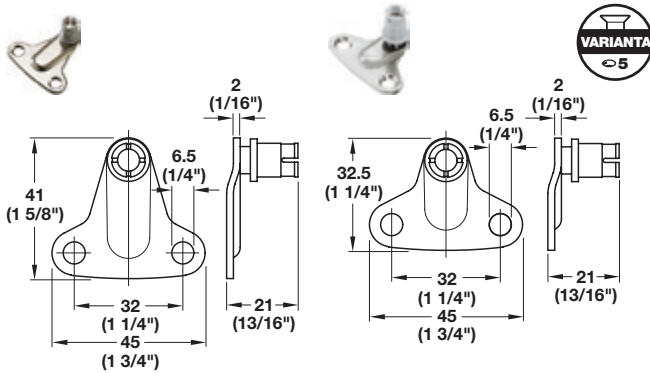
9



Dimensions in mm
 Inches are approximate

FC **9.128**

Maxi – Accessories



Mounting Bracket for Cabinet

Material: Steel; Finish: nickel-plated

For edge distance (cabinet)	Item No.
37 (1 7/16")	373.69.906
28 (1 1/8")	373.69.907



Screw-on Bracket for Door

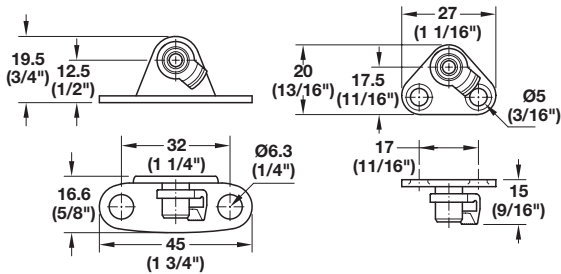
- For doors made of wood or with aluminum frame
- From frame width: 45 mm (1 3/4")

Material: Steel; Finish: nickel-plated

Installation	Item No.
wood screws	373.66.681
euro screws	373.66.036
with slide-on clip (for easy mounting), for Euro screws	373.69.908
with slide-on clip (for easy mounting), for wood screws	373.69.912

- For doors with aluminum frame
- From frame width: 20 mm (13/16")

Installation	Item No.
with slide-on clip (for easy mounting)	373.69.909
without slide-on clip	373.69.905



For doors made of wood or with aluminum frame, from frame width 45 mm (1 3/4")

For doors with aluminum frame 20 mm (13/16")



Soft Closing Mechanism

- For edge distances 28 and 37 mm (1 1/8" and 1 7/16")
- Adjustable dampening distance

Material: Zinc alloy

Finish	Item No.
nickel-plated	373.69.799

Note

The mounting bracket for the cabinet is not required when using the soft closing mechanism.

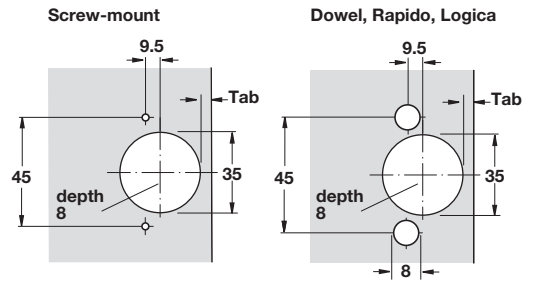
Dimensional data not binding. We reserve the right to alter specifications without notice.

Flat head screws	pages 11.132-11.133, 11.135
Varianta screws	page 11.142

Dimensions in mm
Inches are approximate



Maxi – Accessories

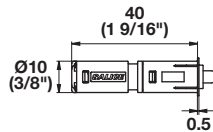
- Developed to meet the market trend of handle-less furniture
- Self-opening hinges and release devices that can easily be mounted to your furniture
- Door thickness 16 to 23 mm (5/8" – 7/8") for 110°
- Side panel thickness from 16 mm (5/8")
- Tab: 3 - 6 mm for 110°
- Allows for a very "clean" design appearance
- Reverse-spring hinges help "PUSH" the door open



Salice - PUSH System

Material: Steel; Finish: nickel-plated

Opening Angle	Closing Method	Mounting	Overlay	Hinge Arm	Model	Item No.
110°	Self-opening	Screw	Full		C2PPA99	329.17.800
110°	Self-opening	Dowel	Full		C2RPA99	329.17.810

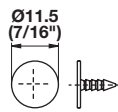


Magnetic PUSH Latch

Material: Plastic

Color	Item No.
gray	356.06.462

Note
Order catch below.



Retaining Catch with Pin

- Nail-on

Material: Steel

Finish	Item No.
nickel-plated	356.06.464



Retaining Catch with Adhesive Strip

- Adhesive backed

Material: Steel

Finish	Item No.
nickel-plated	356.06.465