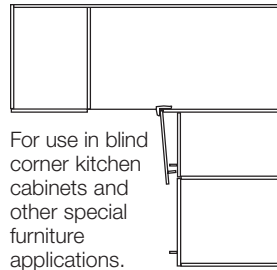


### Grass TIOMOS

- Soft-close or self-close
- Screw, dowel or Impresso mounted
- For blind corner applications
- For door thickness up to 24 mm (61/64"); for door thickness over 24 mm (61/64"), a trial mounting is recommended

#### Note

Dimensions in drawings and tables are calculated using factory settings and for mounting plate height 3 mm (1/8").

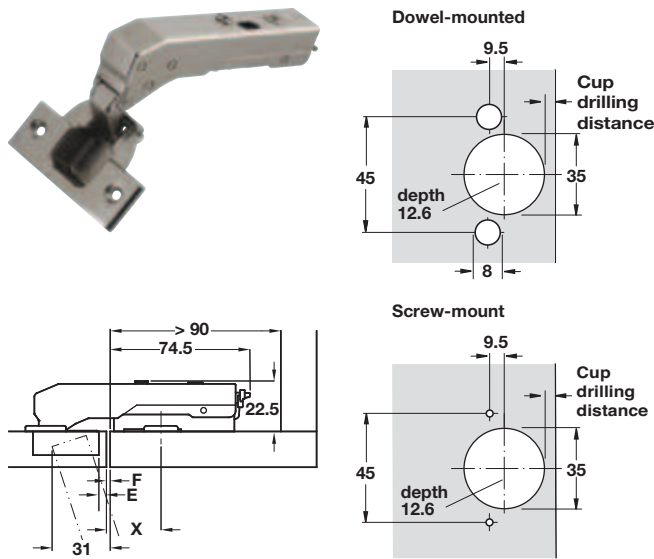


For use in blind corner kitchen cabinets and other special furniture applications.



*soft&silent*)))

Opening angle: **110°**



### Blind Corner Hinge, Inset

Material: Steel; Hinge Arm: Zinc Alloy; Finish: nickel-plated

Version	Screw	Dowel	Impresso
Soft-close	348.37.800	348.37.810	348.37.730
Self-close	348.37.600	348.37.610	348.37.530

#### Table for Cross Plate

Dim X	Drilling Distance E			
	4	5	6	7
28	1	0		
27	2	1	0	
26	3	2	1	0

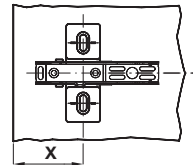
Door reveal **F**

#### Table for Inline Plate

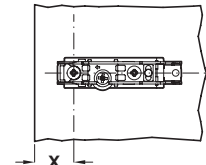
Dim X	Drilling Distance E			
	4	5	6	7
11	1	0		
10	2	1	0	
9	3	2	1	0

Door reveal **F**

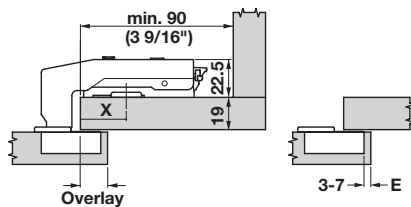
#### Cross plate



#### Inline plate



9



Shows a 3 mm height plate

### Blind Corner Hinge, Overlay

Material: Steel; Hinge Arm: Zinc Alloy; Finish: nickel-plated

Version	Screw	Dowel	Impresso
Soft-close	348.37.820	348.37.830	348.43.830
Self-close	348.37.620	348.37.630	348.43.630

Dim X	Drilling Distance E				
	3	4	5	6	7
30	18	19	20	21	22
29	17	18	19	20	21
28	16	17	18	19	20
27	15	16	17	18	19
28	14	15	16	17	18

Door overlay

Dim X	Drilling Distance E				
	3	4	5	6	7
13	18	19	20	21	22
12	17	18	19	20	21
11	16	17	18	19	20
10	15	16	17	18	19
9	14	15	16	17	18

Door overlay

Mounting plates and cover caps pages 9.56-9.57

Dimensional data not binding. We reserve the right to alter specifications without notice.