

**Hinges with Fixed Pin**

- 5 knuckles
- Knuckles (approx.) Ø5.5 mm (1/4")

Material: Steel; Finish: yellow chromated

A x B (approx.)	Material thickness (D)	Holes per wing	Item No.
50 x 35 (1 15/16" x 1 3/8")	1.2	2	354.12.905
50 x 50 (1 15/16" x 1 15/16")	1.0	3	354.12.906

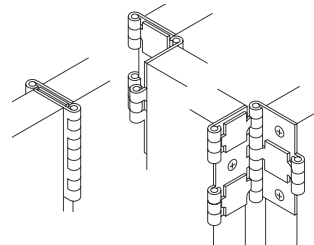
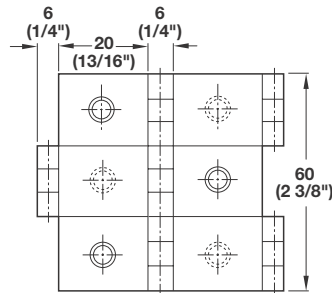
**#5 x 5/8" Flat Head Screw**

- Countersunk
- For use with 354.12.905 & 354.12.906

Material: Steel

Finish	Item No.
yellow galvanized	015.33.544

**Supplied With**  
1000 pcs.



**Screen Hinge**

- 3-part, pivotable in both directions

Material: Brass, polished

Wood thickness	Item No.
20 (13/16")	341.20.815



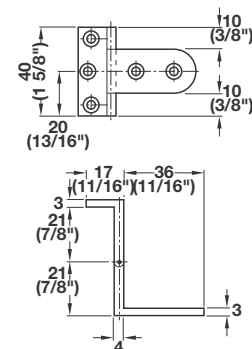
**Cranked Hinge**

- Butting for front-hung doors
- Door thickness: 20 – 21 mm (13/16")
- Side panel thickness: optional
- Barrel length: 50 mm (2")

Material: Solid Brass

Finish	Left	Right
nickel-plated matt	307.01.636	307.01.627

Flat head screws pages 11.132-11.133, 11.135  
Flat head wood screws page 11.140



**Neuform Cranked Hinge**

- Butt hinge for overlay doors
- Door thickness: 19 – 20 mm (3/4" - 13/16")
- Side panel thickness: from 17 mm (11/16")
- Barrel length: 40 mm (1 9/16")

Material: Solid Brass; Finish: nickel-plated polished

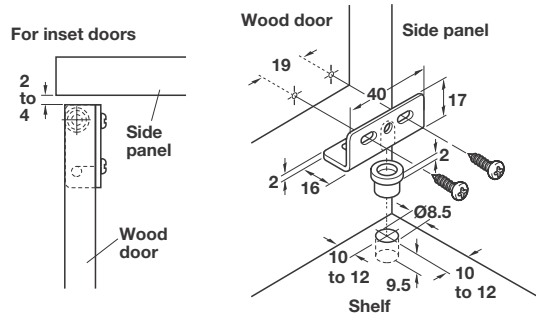
Item No.
307.04.708

Dimensional data not binding. We reserve the right to alter specifications without notice.



Dimensions in mm  
Inches are approximate

For Wood Doors and Lids



Simplex-wood Door Hinge

- With press-fit bushing
- Door thickness 14 – 19 mm (9/16" – 3/4")

Material: Steel; Bushing: Plastic; Color: black

Finish/Color	Item No.
chrome-plated	361.42.293
black	361.42.391

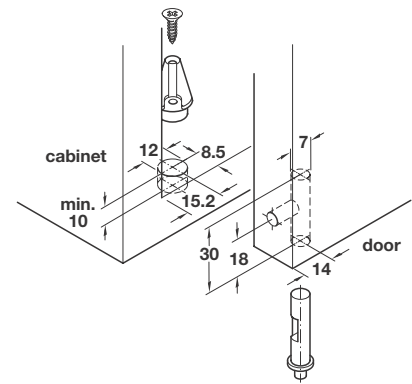
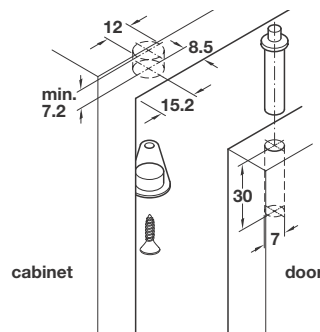
Supplied With

Bushings  
Screws

Note

Dimensions shown on mounting diagrams are only approximate. Please conduct trial mounting to determine your exact dimensions.

Max. Opening Angle: **140°**



Pivot Hinge

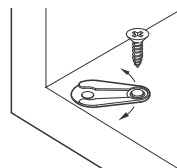
- Door thickness 2 – 21 mm (1/16" – 13/16")
- Both pins spring-loaded: no tools required for installation
- Detachable

Material: Plastic; Pivot: Steel

Color	Item No.
black	361.22.310

Supplied With

2 Pins  
2 Bushings



Note

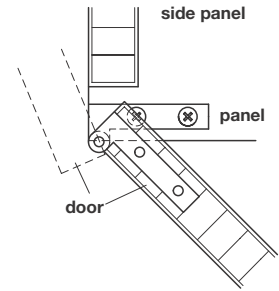
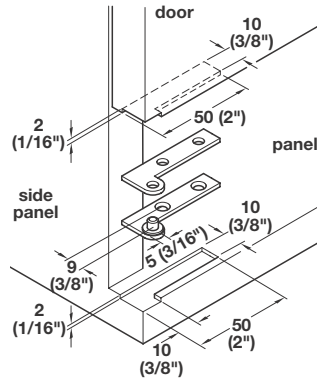
To increase or reduce gap, turn tab on its pivot bearing. Once adjusted as desired, secure tab in position using a small wood screw as shown.

Note

To detach door, insert a small screwdriver into hole located in door edge. Then, use screwdriver to lift spring-loaded pin inside lower bushing.

**Important** Be sure to match holes in door and bushing.

Opening angle: **250°**



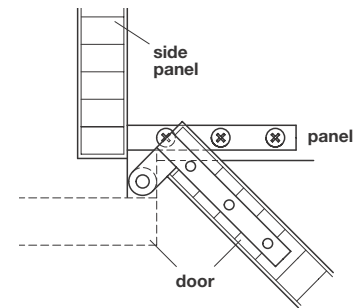
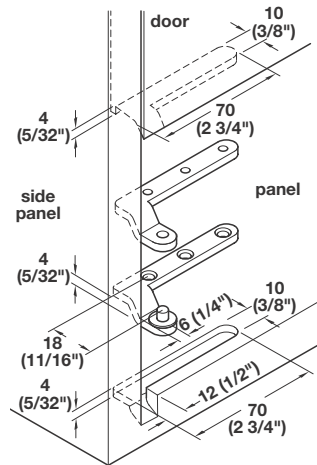
**Corner Pivot Hinge, straight**

- Screw-mounted
  - Max. door opening angle 250°
  - Without stop
  - With outer knuckle
- Length: 50 mm (1 15/16")

Material: Brass, polished

Item No.
362.10.803

Opening angle: **180°**



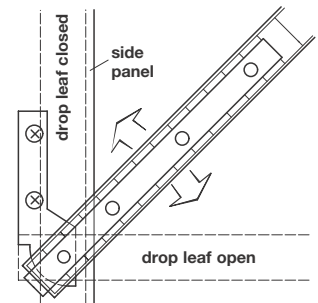
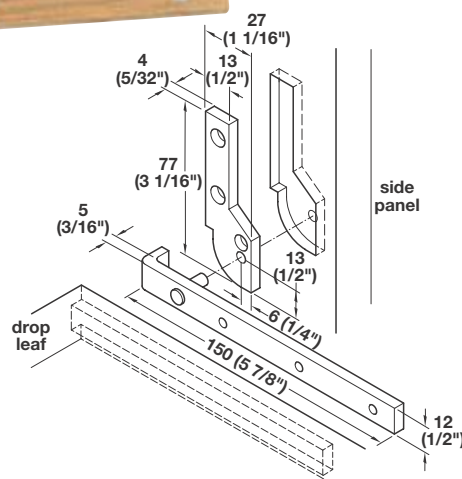
**Corner Pivot Hinge, cranked**

- Screw-mounted
  - Max. door opening angle 180°
  - Without stop
  - With outer knuckle
- Length: 70 mm (2 3/4")

Material: Brass, matt

Item No.
362.01.500

Opening Angle: **90°**



**Desk Pivot Hinge**

- Mounts on drop leaves, screw-mounted
  - With stop
- Length: 150 mm (5 7/8")

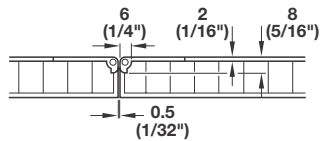
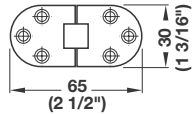
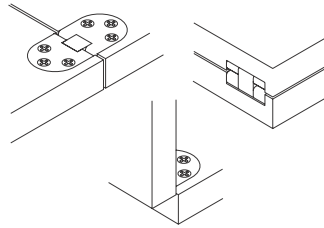
Material: Brass, polished

Item No.
361.50.820

Dimensional data not binding. We reserve the right to alter specifications without notice.

Flat head screws

pages 11.132-11.133, 11.135

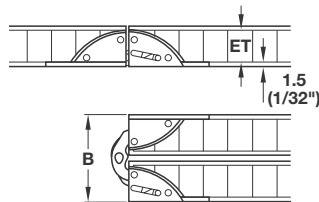
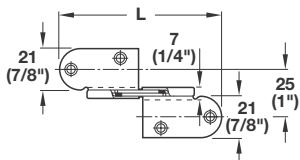
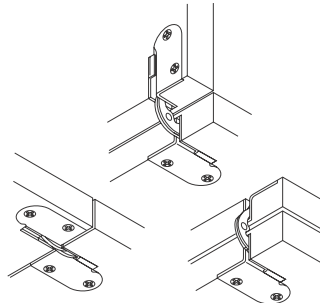


### Self-supporting Hinge

- Flush-mounted
- For folding and sewing-machine tables

Material: Brass

Finish	Item No.
nickel-plated, polished	341.32.708
matt brass	341.32.502
polished brass	341.32.806
bronzed	341.32.100



### Folding Table Hinge

- Flush-mounted
- For panel thicknesses 19 to 22 mm internal hinge
- Distance between panels is approximately 5 mm

Material: Steel

Finish	Material thickness	Mortise depth ET	L x B	Item No.
blue galvanized	19	16	85 x 47	341.30.509
yellow galvanized	22	19	85 x 51	341.30.526

**In-Side Flap Hinge**

- For doors designed to be mounted both recessed by milling the furniture side panel and internally by mounting with screws



**Hinge**

- For door thickness: 18–20 mm (11/16"–3/4")
- Horizontal, vertical and front adjustment

Material: Steel; Finish: nickel-plated



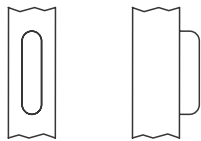
Handing	Item No.
right	342.78.722
left	342.78.723



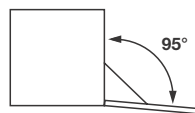
**Cover Caps**

Material: Plastic

Finish	Handing	Item No.
white	right	342.78.728
	left	342.78.729
black	right	342.78.328
	left	342.78.329
gray	right	342.78.528
	left	342.78.529

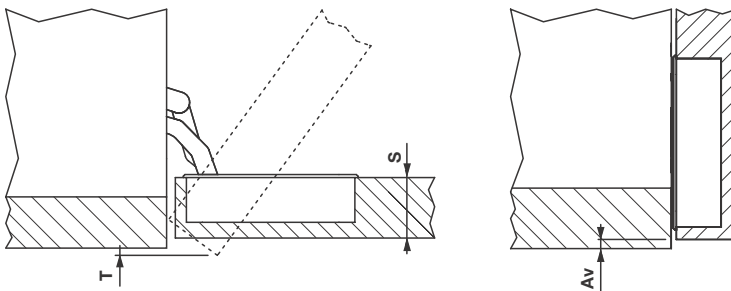


Recessed or external assembly



Door opening angle 95°

**Door Gap (T)**



**Standard thickness**

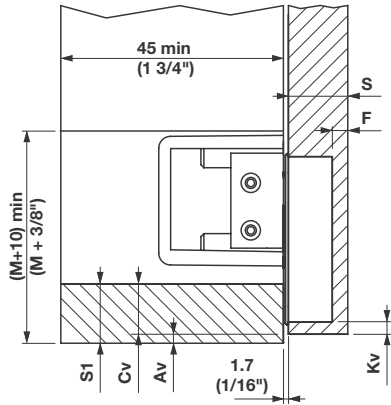
AvS	22	25	28	40
1	1	2.5	4.5	6.5
1.5	1	2	4	6
2	-	2	4	6
2.5	-	1.5	3.5	5.5
3	-	1	3	5
4	-	-	3	4
5	-	-	1	3

Dimensional data not binding. We reserve the right to alter specifications without notice.

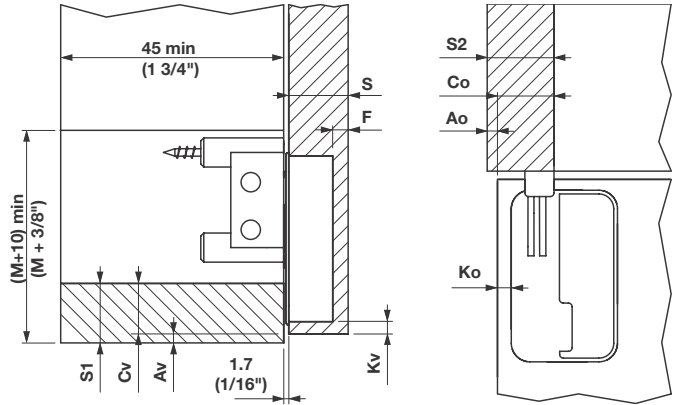


In-Side Flap Hinge

Surface Mounted



Recessed



Standard thickness

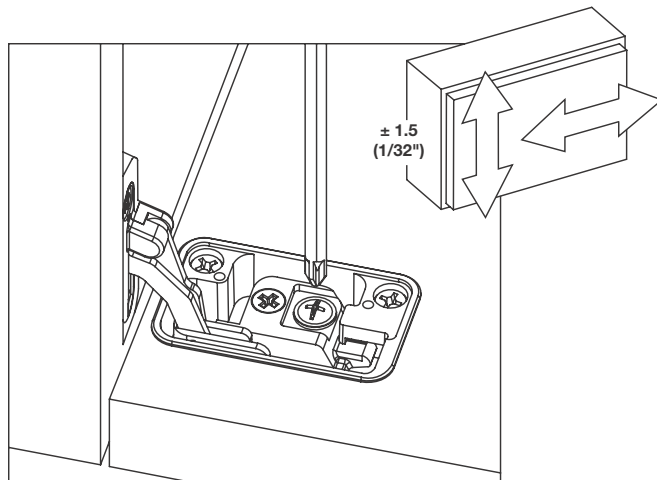
- Av = vertical reveal
- Ao = horizontal reveal
- Cv = door vertical overlay
- Co = horizontal door overlay
- F = door bottom - box bottom distance

- Kv = door panel - box hole distance
- Ko = side door panel - box hole distance
- S = door thickness
- S1 = base thickness
- S2 = side panel thickness

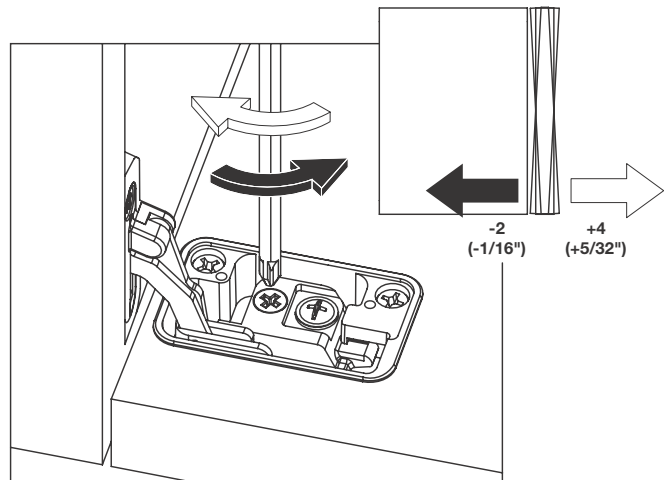
- T = door gap
- Kv = (M - 55) - Av
- Ko = Co - 13.5
- F = S - 15
- If Ko < 3 or F < 3 check the viability due to the material

Adjustments

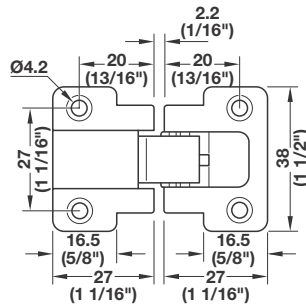
Horizontal and Vertical Adjustment



Door Front Angle Adjustment



Concealed Hinge



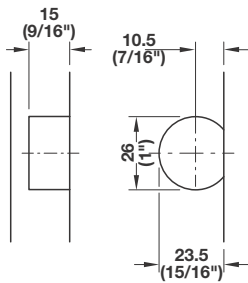
Hinge

- 3-D adjustable
- 26 mm (1") cup diameter
- Negative tab drilling
- For panel thickness from 18 mm (11/16")
- Overlay: 18.5 mm (3/4")
- Screw mounted

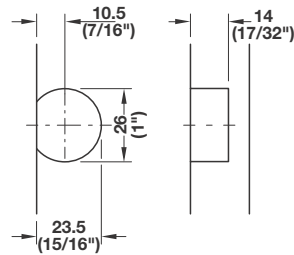
Material: Zinc alloy

Finish	Item No.
nickel-plated	342.78.700

Drilling pattern

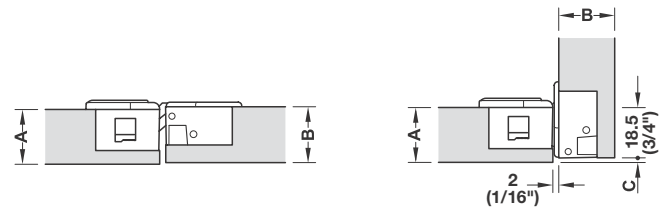


Drilling dimensions in base panel



Drilling dimensions in door

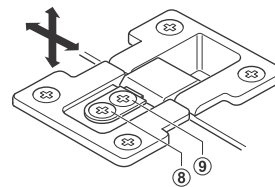
Application and planning dimensions



Door open

Door closed

Adjustment facility



- ⑧ = height adjustment: +2 mm
- ⑨ = clamping screw
- Side adjustment: ± 1 mm
- Depth adjustment: ± 4 mm

Minimum gap C for door opening

Base panel thickness A	Door thickness B						
	18 (11/16")	19 (3/4")	20 (13/16")	22 (7/8")	24 (15/16")	25 (1")	26 (1 1/16")
18 (11/16")	0	0.7	1.7	3.7	5.7	6.7	7.7
19 (3/4")	0	0	0	2.7	4.7	5.7	6.7
20 (13/16")	0	0	0	1.7	3.7	4.7	5.7
22 (7/8")	0	0	0	0	1.7	2.7	3.7



White



Black

Cover Cap

- For hinge above

Material: Plastic

Color	Item No.
white	342.78.709
black	342.78.309

Supplied With

4 cover caps for cup/4 cover caps for arm

Dimensional data not binding. We reserve the right to alter specifications without notice.

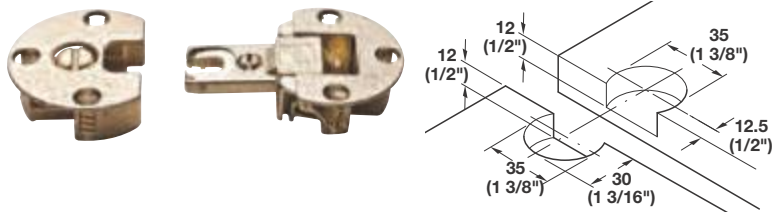


This page is left blank intentionally.



- Three-way adjustable and detachable
- The two cups can be released and detached for added shipping and installation convenience

Opening angle: **90°**

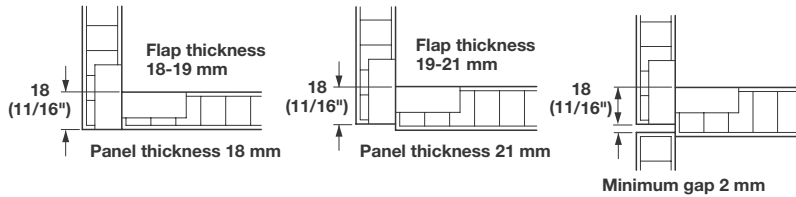


**All-Metal Flap Hinge**

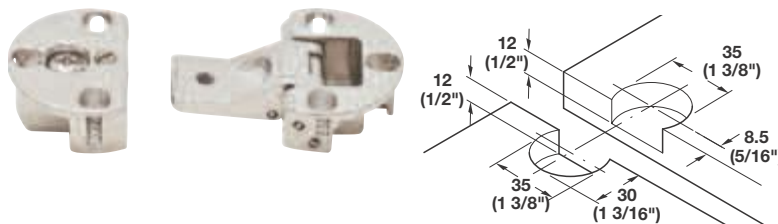
Material: Zinc, die-cast

Finish	Item No.
nickel-plated	342.66.709
brass-plated	342.66.503

**Supplied With**  
Mounting screws



There is a 1 mm gap between flap and shelf when the flap is lowered.

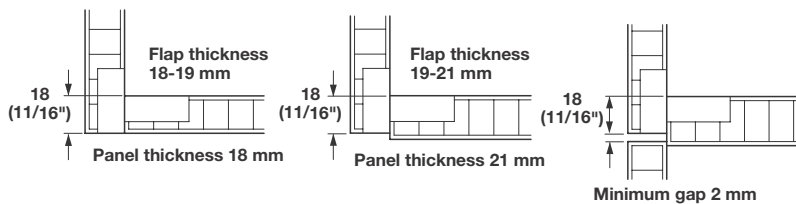


**A-Series All-Metal Flap Hinge**

Material: Zinc, die-cast

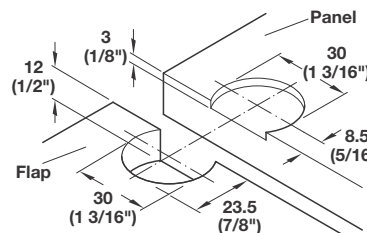
Finish	Item No.
nickel-plated	342.66.750
brass-plated	342.66.550
bronzed	342.66.150

**Supplied With**  
Mounting screws



There is a 1 mm gap between flap and shelf when the flap is lowered.

**Hole pattern:**



**Plano Medial Flap Hinge**

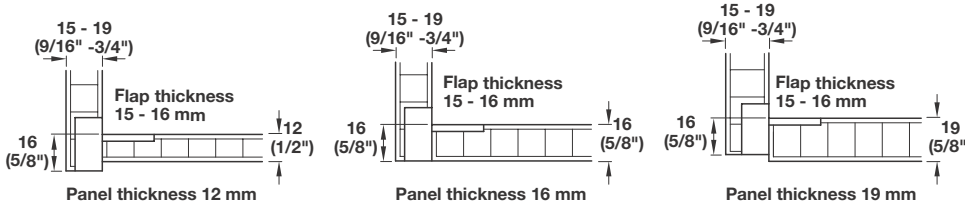
- Screw-mounted
- No projecting parts on the cabinet or flap

Material: Plastic/Zinc, die-cast

Color/Finish	Item No.
white/chrome-plated	342.75.226



**Sample installations**



Flat head wood screws page 11.140

Dimensional data not binding. We reserve the right to alter specifications without notice.

Dimensions in mm  
Inches are approximate