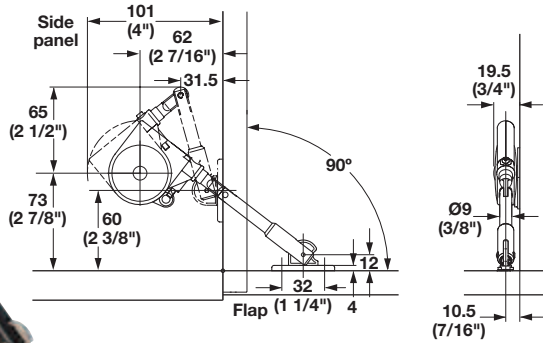
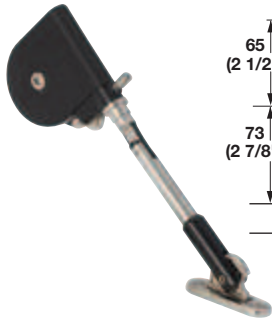


- With Soft & Silent feature
- Reversible, can be installed left or right



*soft&silent* )))



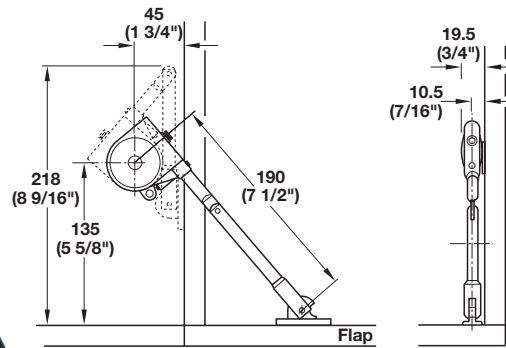
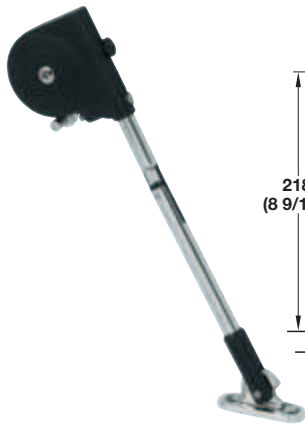
**Short Arm Flap Stay**

- For small height door applications
- Built-in catch holds the door closed
- No magnetic catch required
- Can be used with piano, butt, or flap hinges

Material: Plastic, Steel

Color/Finish	Item No.
black/nickel-plated	365.30.330

**Supplied With**  
 Mounting screws



**Flap Stay**

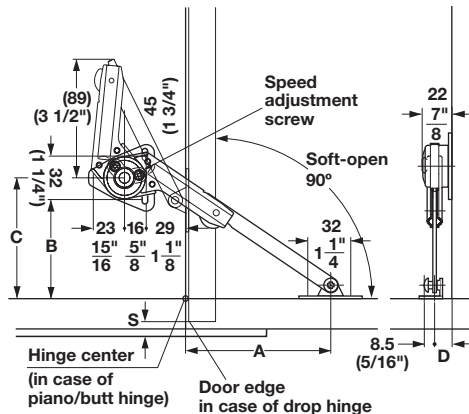
- With speed-mount bracket

Material: Plastic, Steel

Color/Finish	Item No.
black/nickel-plated	365.30.300

**Supplied With**  
 Mounting screws

9



**Flap Stay**

Material: Steel; Finish: nickel-plated

Handing	Item No.
left	365.30.681
right	365.30.680

**Supplied With**  
 Mounting screws

Hinge Type	A	B	C	D
Drop Hinge (SDH-001)	81+S	91	107	11
Piano/Butt Hinge	90	99	115	

**Note**  
 "S" dimension is the overlay coverage for drop hinge(s).

Flat head screws

pages 11.132-11.133, 11.135

Dimensions in mm  
 Inches are approximate