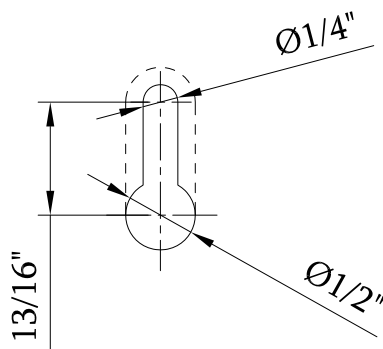
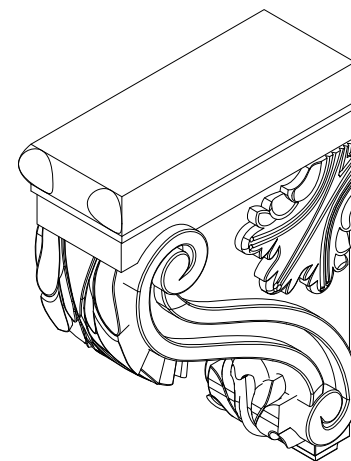
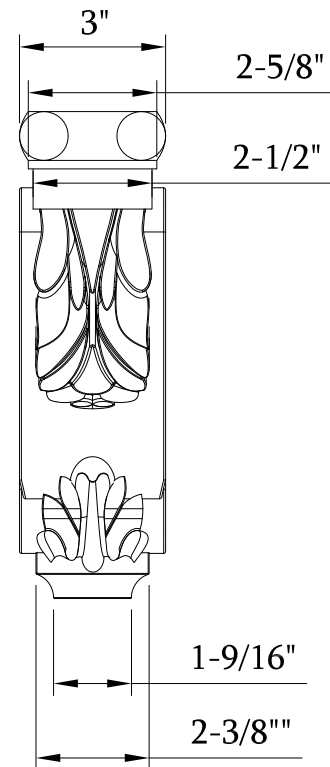
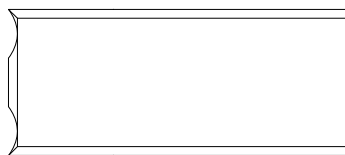
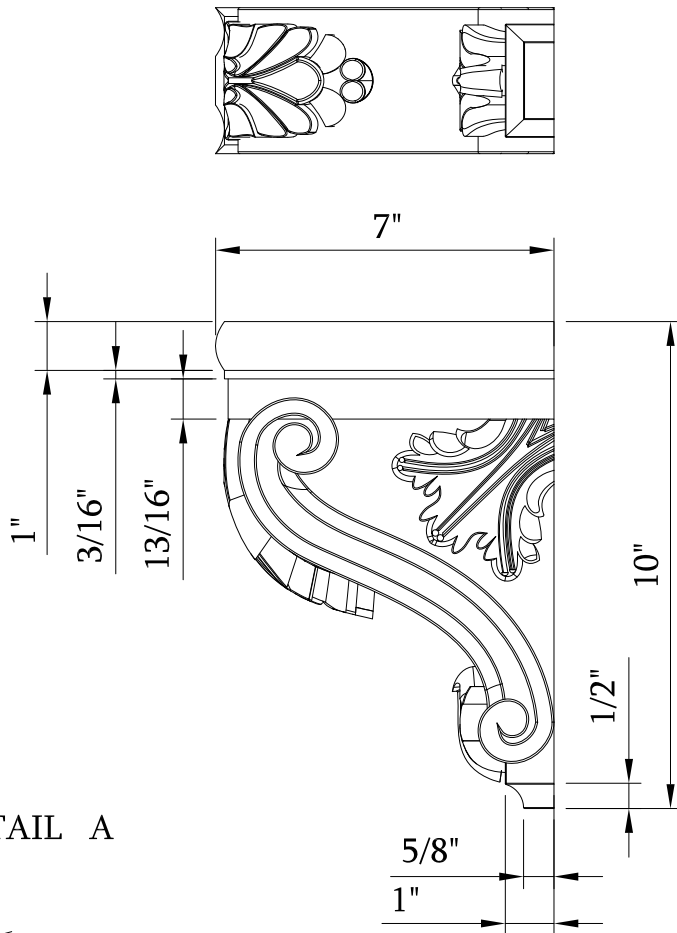


SEE DETAIL A



DETAIL A
SCALE 1:2



hardware resources <small>PROPRIETARY AND CONFIDENTIAL</small> <small>THE INFORMATION CONTAINED IN THIS DRAWING IS THE SOLE PROPERTY OF HARDWARE RESOURCES INC. ANY REPRODUCTION IN PART OR AS A WHOLE WITHOUT THE WRITTEN PERMISSION OF HARDWARE RESOURCES INC. IS PROHIBITED.</small>	ITEM#:	CORE-1		MATERIAL:
	FINISH:			WEIGHT: 9
<small>TOLERANCE UNLESS OTHERWISE SPECIFIED:</small> <small>X : MM ±0.20</small> <small>X.X : MM ±0.10</small> <small>X.XX : MM ±0.05</small> <small>ANGULAR: ±0.5°</small> <small>DO NOT SCALE DRAWING</small>	PROJECTION:			DATE: 09-07-15
	UNIT:		DRAWN BY: alexander.w	DATE:
	SIZE:		CHECKED BY:	DATE:
		APPROVED BY:		DATE: