

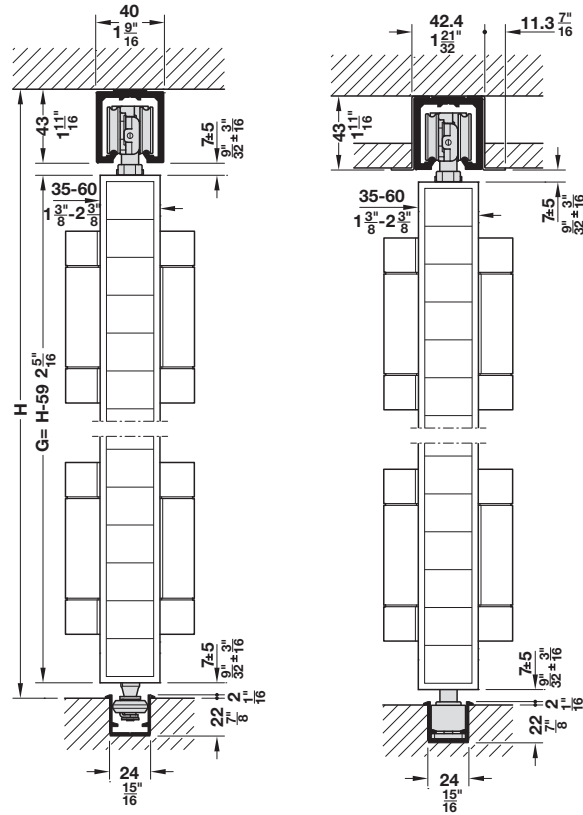
1

Häfele Slido Fold 100-T Folding Wall

- Suitable for edge and center suspended folding wall applications
- Door weight: ≤100 kg (220 lbs.)
- Door height ≤ 3.5 m (11' 5 13/16")
- Door width 500 – 1000 mm (19 11/16" – 39 3/8")
- Door thickness 35 – 60 mm (1 3/8" – 2 3/8")
- Height adjustable +/- 5mm (3/16")
- Maximum opening width: 6 m (19 8 1/4") for doors folding to one side of the opening and 12 m (39 4 7/16") for doors folding to both sides of the opening



Installation dimensions



Note

- Refer to installation instructions for exact calculations of door widths
- Number of butt hinges are based on the height of the door
- Edge suspended systems require a lower guide channel unless the application calls for a pair of doors to be folded on both sides of the opening
- Center suspended systems don't require a lower guide channel

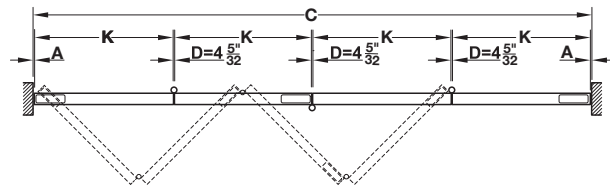
Dimensions in mm
Inches are approximate

AH **1.157A**

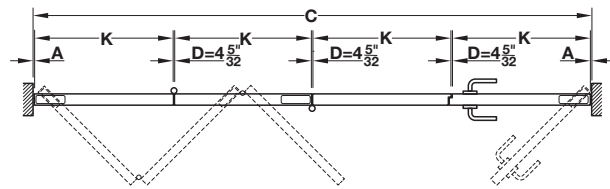
Häfele Slido Fold 100-T Folding Wall

Calculation of door width

Edge suspended



$$K = (C - A - D - D - D - A) / 4$$



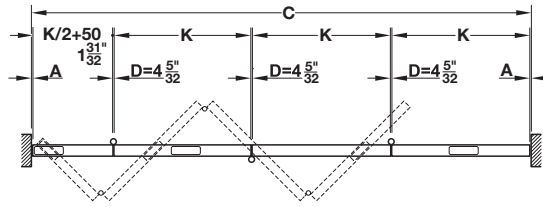
$$K = (C - A - D - D - D - A) / 4$$

A = wall distance between wall and door edge
C = total system width
D = gap dimension
K = door width

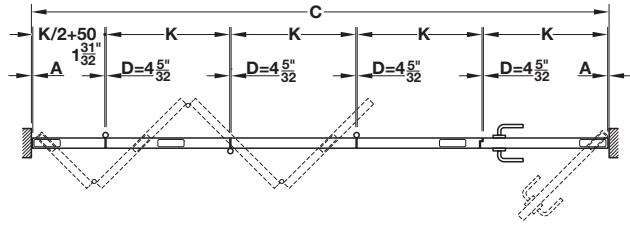
Note

- Refer to installation instructions for additional dimensions and further details

Center suspended



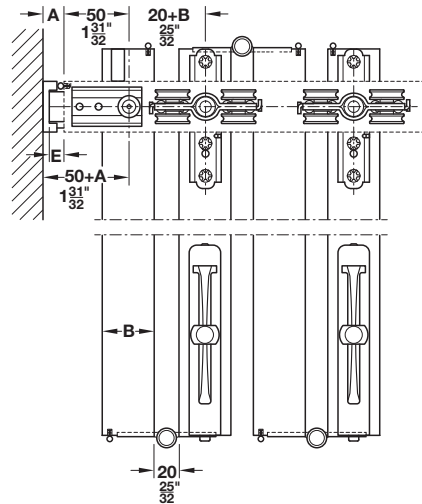
$$K = (C - A - 50 - D - D - D - A) / 3.5$$



$$K = (C - A - 50 - D - D - D - A) / 4.5$$

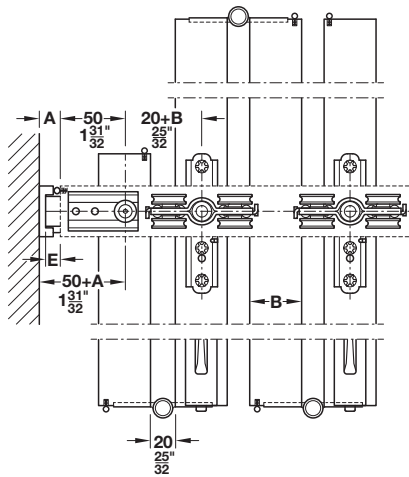
Wall connection with folded door stacks

Edge suspended



A = wall distance between wall and door edge
B = door thickness
E = opening width rotating range

Center suspended



B	35-44 mm (1 3/8"-1 23/32")	45-54 mm (1 3/4"-2 1/8")	55-60 mm (2 5/32"-2 3/8")
E	5 mm (3/16")	7 mm (9/32")	9 mm (11/32")

Note

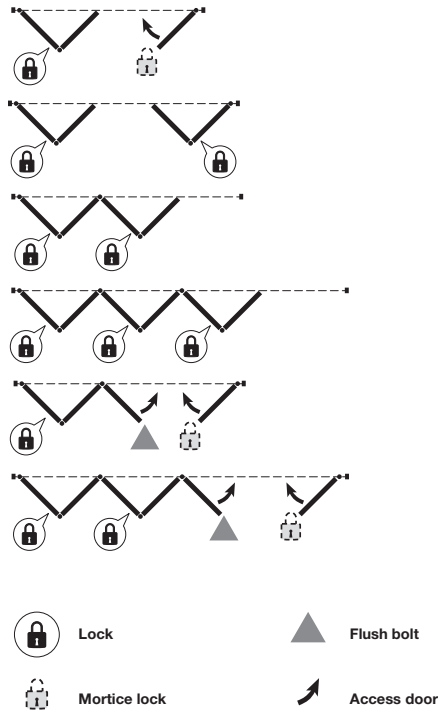
- Refer to installation instructions for additional wall connection options

Dimensional data not binding. We reserve the right to alter specifications without notice.

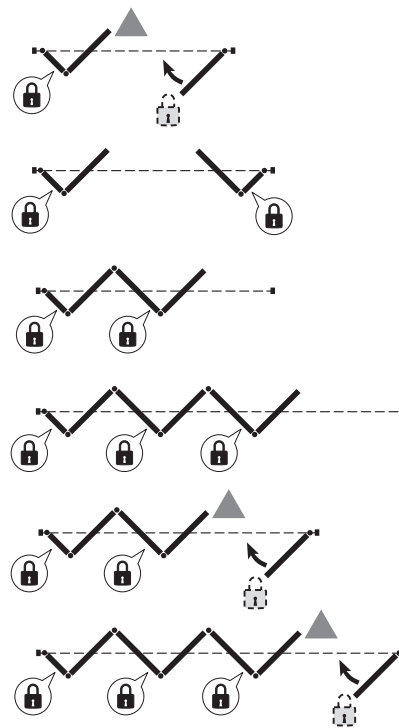
Häfele Slido Fold 100-T Folding Wall

Position and type of locks

Edge suspended



Center suspended



Sets

	Corner suspension	Center suspension	Version	Supplied with	Item No.
For edge suspended systems with lower guide channel					
Basic set			With pivot bearing at top and bottom	1 running gear, 4 rollers, with support flange 2 pivot bearings (1 each top/bottom) 1 guide 1 centering set for door	943.55.000
Additional set			With guide at top and bottom	1 running gear, 4 rollers, with support flange 1 guide 1 centering set for door	943.55.002
Set for access door for folding wall			Without guide at top and bottom	1 set of locking components for flush bolt	943.55.003
Set for access door			With pivot bearing at top and bottom	2 pivot bearings (1 each top/bottom) 1 set of locking components for flush bolt	943.55.004
For center suspended systems without a lower guide channel and edge suspended system with a maximum of 2 doors on both opening sides					
Basic set			With pivot bearing at top and point bearing with adjustable sleeve at bottom	1 running gear, 4 rollers, with support flange 2 pivot bearings (1 each top/bottom) 1 guide 1 centering set for door	943.55.001
Additional set			With guide at top	1 running gear, 4 rollers, with support flange 1 centering set for door	943.55.006
Set for access door			With pivot bearing at top and bottom	2 pivot bearings (1 each top/bottom) 1 set of locking components for flush bolt	943.55.005

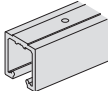
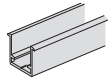
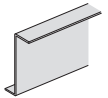
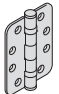

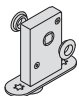


Note

- Refer to installation instructions for additional wall connection options

Dimensions in mm
Inches are approximate

Häfele Slido Fold 100-T Folding Wall

Upper tracks, guide channels, and accessories

	Description	Material	Finish	Length/Type	Item No.
	Upper track, pre-drilled	Aluminum	anodized	6.0 m (19 8 1/4") 3.0 m (9 10 1/8")	943.55.040 943.55.041
	Lower guide channel, pre-drilled	Aluminum	anodized	6.0 m (19 8 1/4") 3.0 m (9 10 1/8")	943.55.050 943.55.051
	Support profile for suspended ceiling tiles	Aluminum	anodized	6.0 m (19 8 1/4") 3.0 m (9 10 1/8")	943.55.060 943.55.061
	Butt hinge for flush doors, 102 x 76 x 3 mm (4" x 3" x 1/8")	Stainless steel	matt	round edge square edge	926.98.050 926.98.040
	Door seals	Silicone	beige black	25.0 m (82" 0 1/4") 25.0 m (82" 0 1/4")	950.09.484 950.09.483
	Lock with rosettes and dust proof strikes	Steel	galvanized	–	943.55.070
	Lock with rosettes, locks into the lower guide channel	Steel	galvanized	–	943.55.071
	Dust proof strike	Aluminum	anodized	–	943.55.073
	Key for locks	Steel	galvanized	–	943.55.072
	Tool set consisting of: 1 disassembly key 1 open end wrench for size 13 and 17 mm	Steel	galvanized	–	943.55.074

Note

- Additional locks, hinges, or flush bolts are available

Required number of butt hinges per door

Door height	Quantity
Up to 2.0 m (78 3/4")	2 pcs.
2.001-2.75 m (78 25/32"-108 9/32")	3 pcs.
2.751-3.5 m (108 5/16"-137 13/16")	4 pcs.

Dimensional data not binding. We reserve the right to alter specifications without notice.

Flush Pulls	pages 1.371 – 1.373
Flush Bolts	pages 3.23 – 3.28
Concealed Hinges	pages 4.9 – 4.27
Locks	pages 1.201 – 1.203