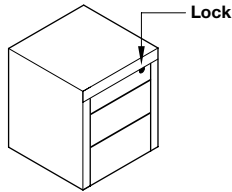


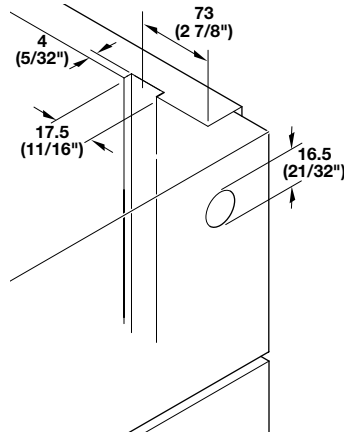
Modular Removable Core Locking System – Timberline

- The choice for fully engineered cabinets
- Allows for simplified mounting and quick adjustment making installation easy
- Adjustment to bar moves fixed pin positions
- Can be installed on the right side of the cabinet only

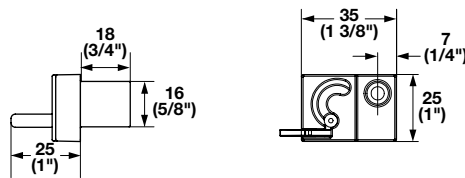
Typical Applications



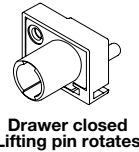
Modular Pedestal with Lock
Mounted in Drawer Front



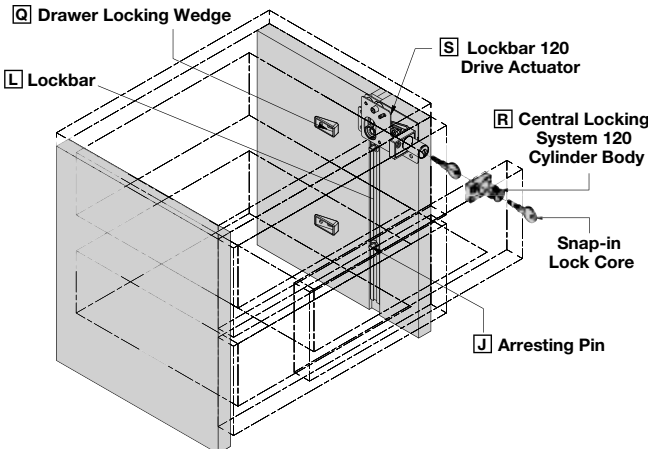
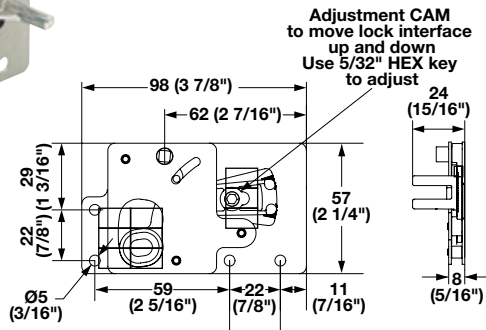
Drilling & routing diagram



Drawer open
Lifting pin locked



Drawer closed
Lifting pin rotates



R Central Locking System Body

- With small lifting pin
- 180 degree rotation; 12 mm lift
- Small pin design will not interfere with drawer contents
- Sync-Assure feature prevents rotation of lock when drawer is open, ensuring proper pin alignment when drawer is closed
- When drawer is open spring release is enabled, preventing rotation of the cylinder core and locking the lifting pin in place
- When drawer is closed spring release is disabled, allowing rotation of the cylinder core and lifting pin

Material: Lock case: Nylon; Color: black
Cylinder housing: Zinc die-cast; Finish: zinc

Timberline No.	Item No.
CB-120	237.67.300

S Drive Actuator

- Transmits horizontal rotation of drive shaft to vertical movement of lockbar
- Easy to position on side panel
- Lockbar is held in position when drawer is opened
- Unique adjustment cam design allows for easy movement of lock interface for accurate pin alignment; use a 4 mm (5/32") hex key to adjust

Material: Steel
Cam: Zinc die-cast; Finish: zinc
Linkage arm: Plastic; Color: black

Timberline No.	Item No.
AC-120	237.67.310

10

Lock cores	Page 10.6
L Lockbar	Page 10.20
J Locking pins	Page 10.20
Q Drawer wedges	Page 10.20
K Bar Retaining brackets	Page 10.20
Miscellaneous strikes	Pages 10.21–10.22

Dimensions in mm
Inches are approximate