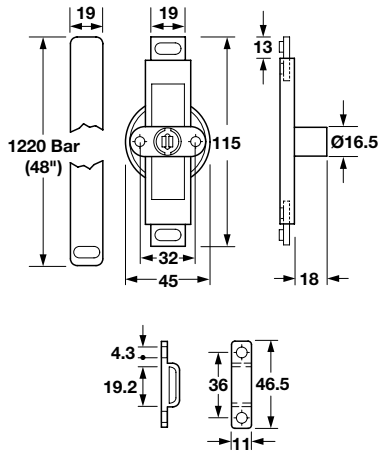


Modular Removable Core Locking System – Timberline



Wardrobe/Overhead Storage Lock

- Throw: 13 mm (1/2")

Material: Lock case: Nylon; Color: black
 Cylinder housing: Zinc die-cast, unfinished
 Bars: Steel; Color: black powder-coated
 Bar retainers: Nylon; Color: black

Installation	Timberline No.	Item No.
horizontal	BK-0002	223.63.300
vertical	BK-0001	223.63.355

Supplied With

Lock body
 2 bars
 6 bar retainers

Dimensional data not binding. We reserve the right to alter specifications without notice.

Drawer wedges	Page 10.20
Strike plates	Page 10.21–10.22
Lock cores	Page 10.6
Cylinder rosettes	Page 10.6