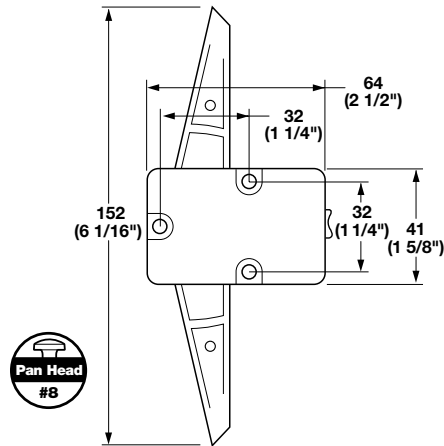


### Anti-Tip System

- Meets or exceeds ANSI/BFIMA requirements
- Only one drawer can be opened at a time

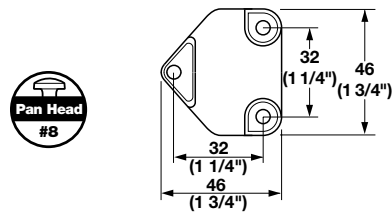


### Anti-Tip Snapper

- Mounts to side of cabinet
- 1 required for 2 drawers

Material: Zinc, die-cast; unfinished

Color	Timberline No.	Item No.
black	SN-400	237.43.310

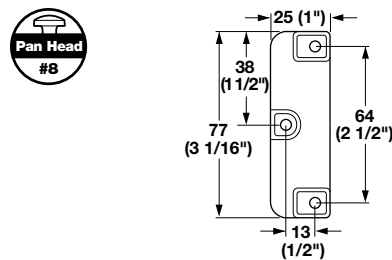


### Drawer Clips - Standard

- Mounts to side of drawers
- 2 required per snapper

Material: Plastic

Color	Timberline No.	Item No.
black	DC-400	237.43.320

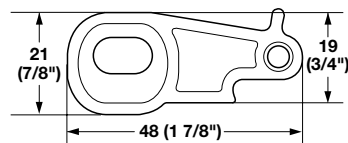


### Drawer Clips - Narrow

- Mounts to side of drawers
- For use when there is less space between drawer slides
- 2 required per snapper

Material: Plastic

Color	Timberline No.	Item No.
black	DC-410	237.43.322



### Linkage Arm

- 2 pcs. required for 4 drawers

Material: Plastic

Color	Timberline No.	Item No.
black	SN-410	237.43.330