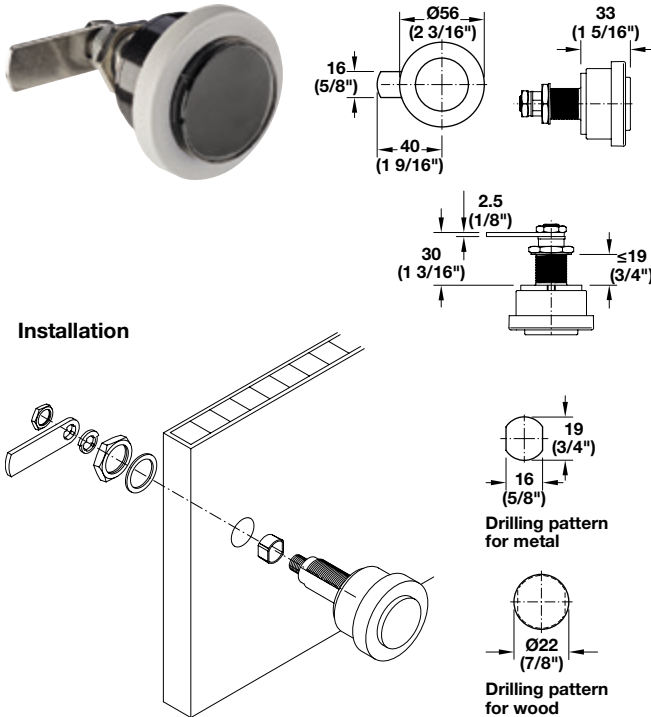


Electronic Locker Lock

- For furniture door thicknesses up to 19 mm (3/4")
 - Electronically locking and unlocking by presenting the user key
 - Suitable for left hand and right hand use
 - For screw mounting with hexagon nut
- Metal: Hole pattern 19 x 16 mm
Wood: 22 mm drill hole for knock-in sleeve



Programming and User Cards

Master Card

- To train the FL 210 cam lock in the system environment of the Dialock product range
- 54 x 85 mm (credit card size)

Material: Plastic

Technology	Item No.
Tag-it™ ISO	231.85.042
Mifare	231.85.043

Installation

For integration and programming of the electronic FL 210 cam lock in the Dialock product range, the cam lock must be integrated into the Dialock system environment using the master card.

Then the FL 210 cam lock is "linked" to the programming card by presenting it (one-off procedure).

The user cards can then be trained or cleared by using the programming card.

FL 210 Cam Lock

Material: Plastic

Collar/Dial	Item No.
silver colored/black	231.85.030

Supplied With

1 Cam
Installation and operating instructions
Battery

Note

Following are required for operation: master card, programming card and several user cards. Please order separately.

The first card that is presented, e.g. master card, determines the technology of the product.

Programming Card

- To grant access authorizations without software and programming station
- 54 x 85 mm (credit card size)

Material: Plastic

Technology	Item No.
Tag-it™ ISO	917.42.001
Mifare	917.80.703

User Card

- To lock/unlock the electronic FL 210 cam lock
 - Wear and tear free (contactless data transfer)
 - Maintenance free (without batteries)
 - Insensitive to external influences such as wetness, magnetic fields, mechanical vibrations and dust
 - Can be reprogrammed at least 100,000 times
 - Forgery-proof unique number
- 54 x 85 mm (credit card size)

Material: Plastic

Technology	Item No.
Tag-it™ ISO	917.44.011
Mifare	917.80.704