

“Berliner” Bed Fitting

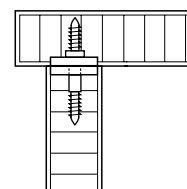
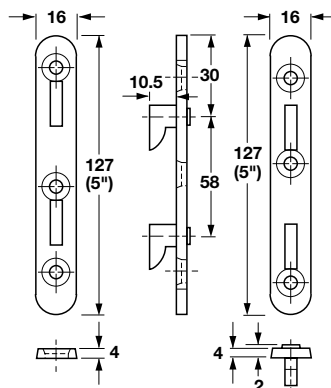
- For machined-recess installation

Material: Steel, unfinished

Item No.
271.33.008

Set Supplied With

- 4 male parts
- 4 female parts



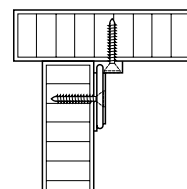
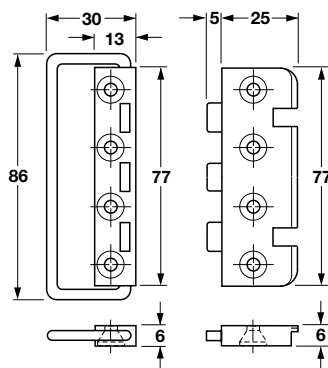
“Berliner” Bed Fitting

Material: Steel, unfinished

Item No.
271.33.090

Set Supplied With

- 4 male parts
- 4 female parts



Connecting Fitting

- Screw-mounted
- Left or right use
- Fastening by press-fitting the two elements together and snapping the bail in place
- Equally simple release by opening the bail

Material: Plastic polymide; Bail: Steel, galvanized

Color	Item No.
natural	262.59.003

