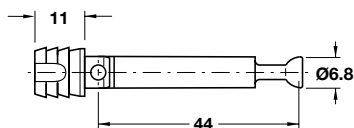


- A practical method of joining miter-jointed cabinets and profiles without costly gluing, and making large panels of furniture with miter joints
- Minifix® GV miter joint connectors, with or without nylon sleeves, are hinged connecting bolts, capable of securing miter joints at any angle from 90° to 180°
- These connectors should preferably be used only with Ø15 mm zinc die-cast Minifix® cams

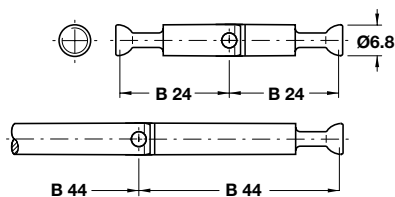


### Minifix® GV

- With nylon sleeve
- For miter angles 90° to 180°
- Bolt hole: 7 mm
- Drilling distance: 44 mm

Material: Steel, galvanized

Drilled Hole	Item No.
8	262.12.804
10	262.12.813

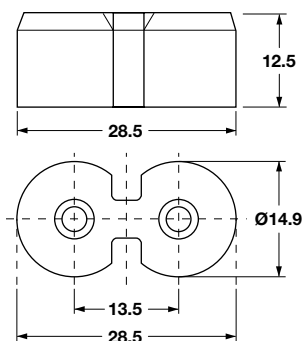


### Minifix® GV

- Hinged miter joint connector for double-sided installation in 7 mm diameter holes

Material: Steel, galvanized

Drilling distance B	Item No.
24	262.12.859
44	262.12.939



### Miter Joint Connector

28.5 x 12.5 mm

Material: Plastic

Color	Item No.
white	261.98.720