

- A high-end magnetic catch specifically designed by Häfele
- Primary application is high-quality traditional cabinetry with inset doors, utilizing free-swinging decorative butt hinges
- Rounded soft shape
- Metal casing and plated finish offer a high-end look and feel
- Easy and intuitive in/out adjustment is achieved by turning the magnet; no need to loosen screws, adjust and re-tighten
- Matching strike plates and screws are available, please order separately
- Magnet adjustment range: 5 mm (3/16")
- Magnetic holding force: 2 kg (4.4 lbs)



Single Catch

Material: Housing: Zinc; Core: Steel; Magnet: Neodymium

Finish	Item No.
oil-rubbed bronze	246.15.100
nickel-plated matt	246.15.600

Complete Set

Material: Housing: Zinc; Core: Steel;
Magnet: Neodymium; Strike plates/screws: Steel

Finish	Item No.
oil-rubbed bronze	246.15.110
nickel-plated matt	246.15.610

Supplied With

- 2 catches
- 4 mounting screws
- 2 strike plates with floating head/knock-in nail

Screws for Magnetic Catch

- #6 x 5/8"

Material: Steel

Finish	Item No.
oil-rubbed bronze	010.77.207
nickel-plated matt	010.77.607

Strike Plate

Material: Steel

Finish	Item No.
oil-rubbed bronze	246.36.180
nickel-plated matt	246.36.680

Note

Order screws separately

Screws for Strike Plate

- #5 x 5/8"

Material: Steel

Finish	Item No.
black	010.77.304
nickel	010.77.604

Order Supplied With

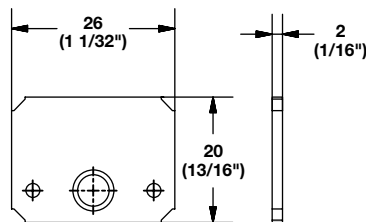
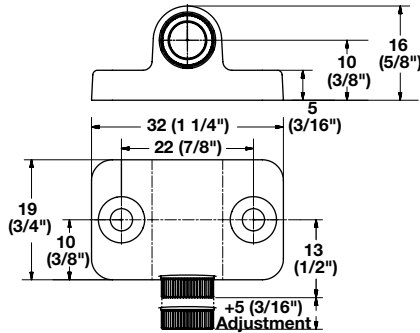
1000 pcs.

Strike

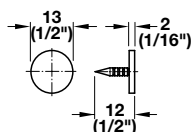
- With floating head and knock-in nail
- Floating head assures absolute contact between magnet and strike, creating the strongest holding force

Material: Steel

Finish	Item No.
oil-rubbed bronze	246.15.190
nickel-plated matt	246.15.690



11



Flat head screws

pages 11.142-11.143, 11.145

Dimensions in mm
Inches are approximate

FC 11.90

www.hafele.com