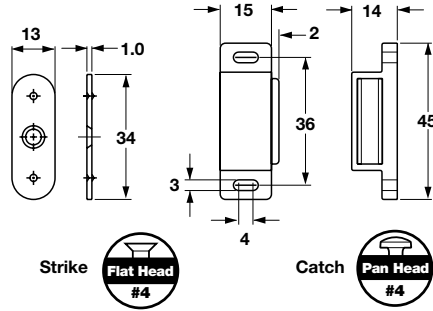
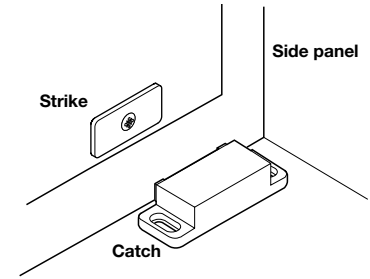


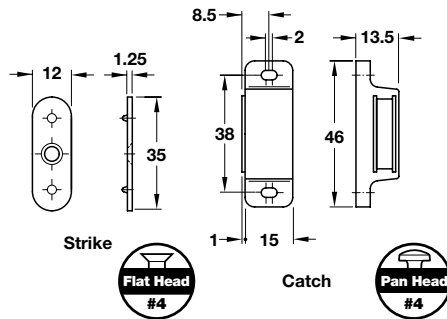
- The most economical magnetic catch
- Extremely flexible floating plates to compensate for alignment tolerances



- Screw-mounted
- 2.5 kg Pull

Material: Catch: Plastic; Strike: Metal

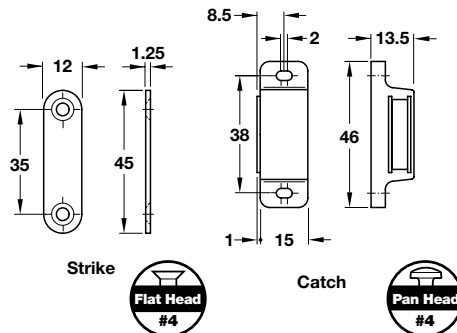
Color	Item No.
white	246.28.700
brown	246.28.100



- Screw-mounted
- Holding power (approximately) 3 – 4 kg
- Catch: floating
- Strike: fixed

Material: Catch: Plastic; Strike: Steel

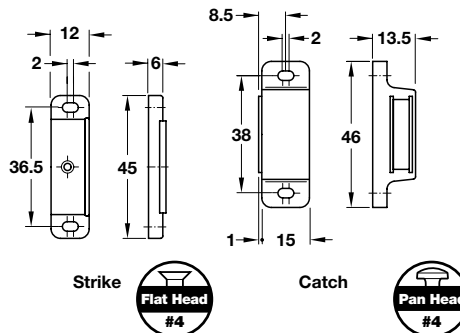
Color	Item No.
white	246.26.702
brown	246.26.104
black	246.26.300



- Screw-mounted
- Floating permanent magnet poles catch adjust automatically to meet door-mounted strike
- Holding power (approximately) 4 – 5 kg
- Catch: floating
- Strike: fixed

Material: Catch: Plastic; Strike: Steel

Color	Item No.
white	246.29.703
brown	246.29.105
black	246.29.301



- Screw-mounted
- Holding power (approximately) 4 – 5 kg
- Catch: floating
- Strike: fixed

Material: Catch: Plastic; Strike: Steel

Color	Item No.
white	246.29.712
brown	246.29.114

Dimensional data not binding. We reserve the right to alter specifications without notice.

Flat head screws	pages 11.142-11.143, 11.145
Pan head screws	pages 11.144-11.145