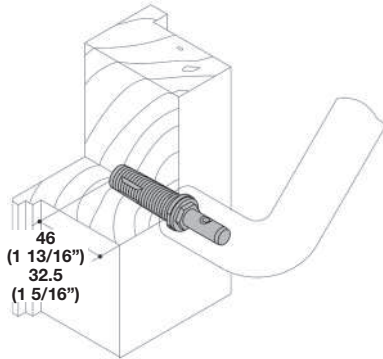


HEWI - Fastening Accessories

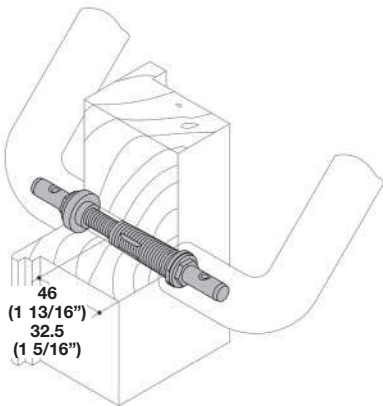
- All standard pull handles require 2 fasteners



- Surface mounted installation on metal doors
- Drilling: Ø14 mm (9/16")

Material: Insert: Steel, chromatinized
Bolt: Steel; Finish: nickel-plated

Door thickness	Item No.
40-50 (1 9/16" - 2")	909.07.002
from 50 (2")	909.07.001



- Back to back on wood and metal doors
- Drilling: Ø14 mm (9/16")

Material: Insert: Steel, chromatinized
Bolt: Steel; Finish: nickel-plated

Door thickness	Item No.
43-48 (1 11/16" - 1 7/8")	909.74.003
48-53 (1 7/8" - 2 1/8")	909.74.063
55-70 (2 3/16" - 2 3/4")	909.07.011
70-85 (2 3/4" - 3 3/8")	909.07.012