

KV – Pull-Out Bottom Mount

- Heavy-duty, under-mount slide with soft-close technology
- Installs in minutes using self-aligning brackets secured with only four screws
- Eco-friendly frosted nickel finish or white
- Color coordinated aluminum side rails provide stability while concealing slide hardware
- Unique, washable, solid backsplash and floor:
 - Prevents debris from falling through to floor/cabinet
 - Easy to clean
 - Conceals hardware
- Decorative rail accents can be customized to match countertops or cabinetry
- Optional lids
- Load capacity: 80 lbs.
- Door brackets are reversible to adapt from standard width opening up to door sizes 3" wider

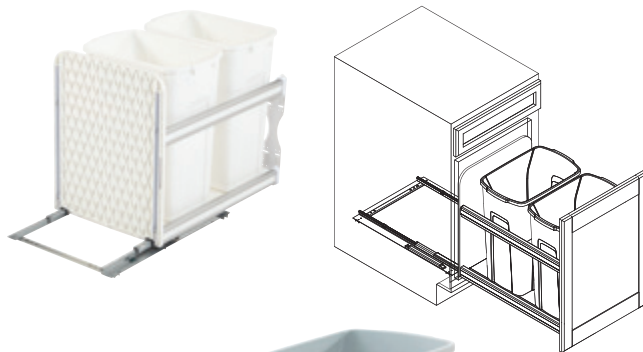
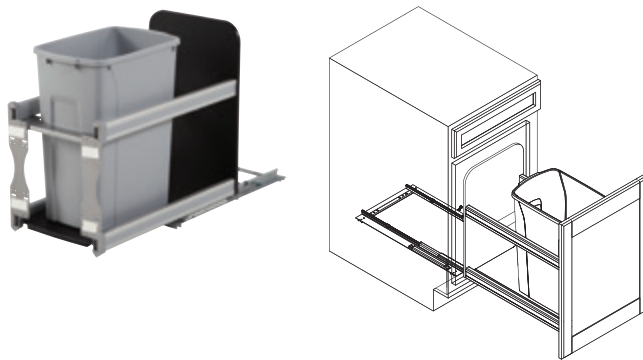
soft&silent)))



3

Note

If using lid, add 3/4" to height



Replacement Bins

Material: Plastic

Color	Capacity	Item No.
frosted nickel	35 quarts	503.13.993
white	35 quarts	503.13.994
frosted nickel	50 quarts	503.13.995
white	50 quarts	503.13.996

Single Bin Units

W x D: 299 mm x 570 mm (11 13/16" x 22 7/16")

Material: Steel; Bins: Plastic

Finish/Color	Height	Capacity	KV No.	Item No.
frosted nickel	487 (19 3/16")	35 qts.	USC12-1-35PT	503.11.503
white	487 (19 3/16")	35 qts.	USC12-1-35WH	503.11.703
frosted nickel	591 (23 1/4")	50 qts.	USC12-1-50PT	503.11.513
white	591 (23 1/4")	50 qts.	USC12-1-50WH	503.11.713

Double Bin Units

W x D x H: 376 mm x 570 mm x 487 mm
(14 13/16" x 22 7/16" x 19 3/16")

Capacity: 2 x 35 quarts (70 quarts)

Material: Steel; Bins: Plastic

Finish/Color	KV No.	Item No.
frosted nickel	USC15-2-35PT	503.11.527
white	USC15-2-35WH	503.11.727

W x D x H: 390 mm x 570 mm x 590 mm
(15 3/8" x 22 7/16" x 23 1/4")

Capacity: 2 x 50 quarts (100 quarts)

Material: Steel; Bins: Plastic

Finish/Color	KV No.	Item No.
frosted nickel	USC18-2-50PT	503.13.533
white	USC18-2-50WH	503.13.733

Lids, optional

- For 35 quart bins

Material: Plastic

Color	Item No.
frosted nickel	503.13.892
white	503.13.893

