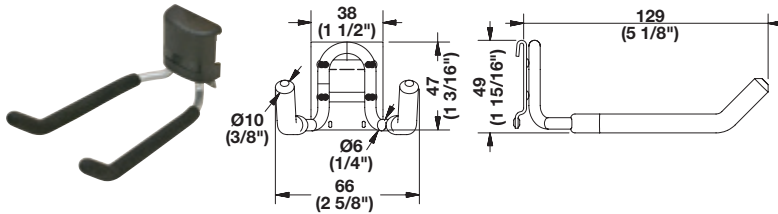


- Hooks are used with wall track, 792.00.000
- Cover cap sold separately, secures the hook to the wall track allowing the hooks to be repositioned horizontally
- Hooks have a rubber non-slip protective coating

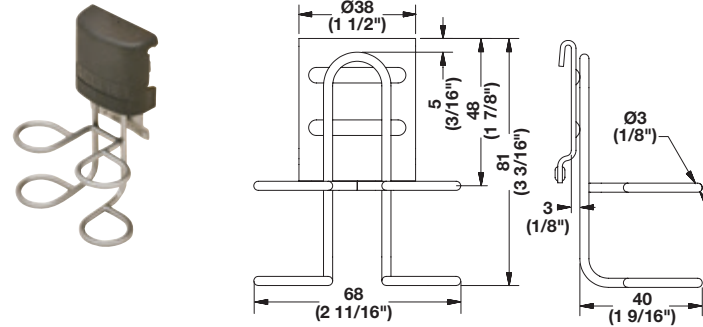


Hand Tool Hook

- Organizes hammers and other small hand tools
L x W x H: 129 x 66 x 49 mm (5 1/8" x 2 5/8" x 1 15/16")

Material: Steel, rubber-coated

Finish/Color	Item No.
matt aluminum/black	792.02.255

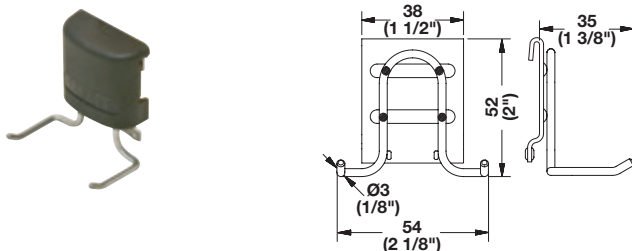


Screwdriver Hook

- Organizes two screwdrivers and other small items
L x W x H: 40 x 68 x 81 mm (1 9/16" x 2 11/16" x 3 3/16")

Material: Steel

Finish	Item No.
matt aluminum	792.02.252

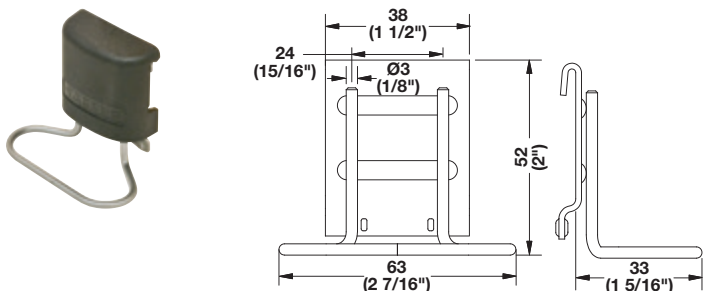


Wrench Hook

- Heavy duty, organizes two wrenches and other small items
L x W x H: 35 x 54 x 52 mm (1 3/8" x 2 1/8" x 2")

Material: Steel

Finish	Item No.
matt aluminum	792.02.251



Pliers Hook

- Organizes pliers and other small items
L x W x H: 33 x 63 x 52 mm (1 5/16" x 2 7/16" x 2")

Material: Steel

Finish	Item No.
matt aluminum	792.02.250

Dimensional data not binding. We reserve the right to alter specifications without notice.

Wall track	Page 4.8
Screws	Page 4.8
Cover cap	Page 4.16

Dimensions in mm
Inches are approximate