

Screw-mounted Cabinet Hanger

- For rail suspension
- Load carrying capacity per pair: 130 kg (286 lbs.)
- Adjustments: Vertical: 16 mm; Depth: 14 mm; Lateral: 5 mm

Material: Steel, galvanized

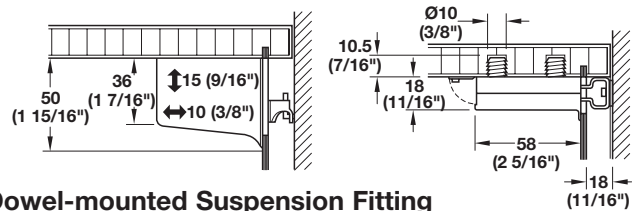
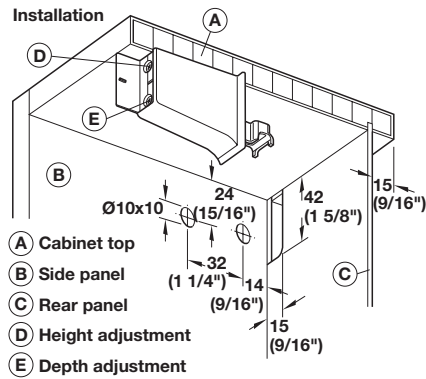
		Item No.
left	#8 wood screws	290.02.711
right	#8 wood screws	290.02.710
left	euro screw 013.02.913	290.02.715
right	euro screw 013.02.913	290.02.714

Clip-on Cover Cap, optional

- For above hanger

Material: Plastic

Color	Left	Right
brown	290.02.191	290.02.190
tan	290.02.481	290.02.480
white	290.02.781	290.02.780
cream-white/almond	290.02.791	290.02.790
black	290.02.391	290.02.390



Dowel-mounted Suspension Fitting

- For rail suspension
- Load carrying capacity per pair: 130 kg (286 lbs.)
- Adjustments: Vertical: 15 mm; Depth: 15 mm; Lateral: 10 mm

Material: Housing: Plastic; Color: white; Hook: Steel

	Item No.
left	290.31.711
right	290.31.710