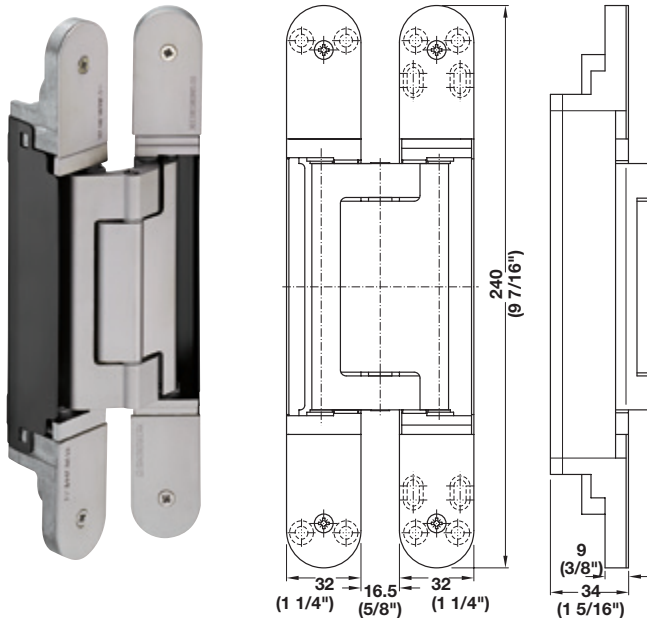


For Interior Doors - TECTUS

- Used in door frames made out of hollow metal or wood for flush doors
- Maintenance-free slide bearings
- Suitable for LH and RH applications
- UL listed for 20 minute rated fire doors (maximum door size: 4' x 8' for a single door, 8' x 8' for a pair of doors)



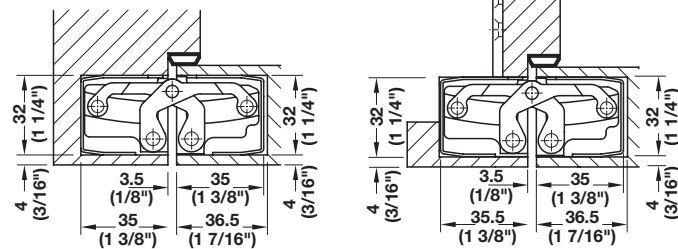
TE 640 3D

- Door weight: ≤ 200 kg (440 lbs.)
- Door thickness: ≥ 40 mm (1 9/16")
- Opening angle: ≤ 180°
- Router bit Ø: 24 mm (15/16")
- Router guide Ø: 30 mm (1 3/16")
- Adjustment: three-dimensionally adjustable:
Height and Width: ± 3 mm (1/8")
Depth: ± 1.0 mm (1/16")

Material: Aluminum Die-cast

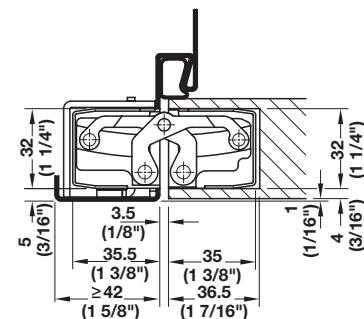
Finish	Item No.
stainless steel effect	924.17.404
satin chrome colored	924.17.421
satin nickel colored	924.17.422
black powder-coated	924.17.437
bronze powder-coated (US10B look)	924.17.450
satin nickel plated	924.17.471
polished nickel plated	924.17.469
polished brass plated	924.17.480

Mounting

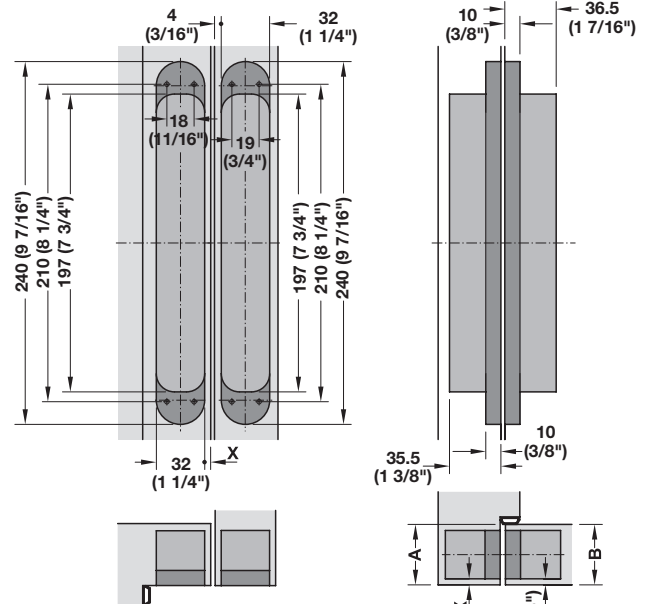


Mounted to a wood door frame

Mounted to a wood door jamb together with a mounting plate



Mounted to a hollow metal frame with a receiver element



Milling template for a wood door frame

Calculation of the milling dimensions:

A = Rabbet depth excluding seal clearance

B = Door thickness

A - B + 3 = Dimension X

The result has to fall between 3 mm (1/8") and maximum 5 mm (3/16").

For hollow metal frame applications X = 5 mm (3/16")

Mounting plates page 5.21

Receiving elements page 5.22

Dimensional data not binding. We reserve the right to alter specifications without notice.