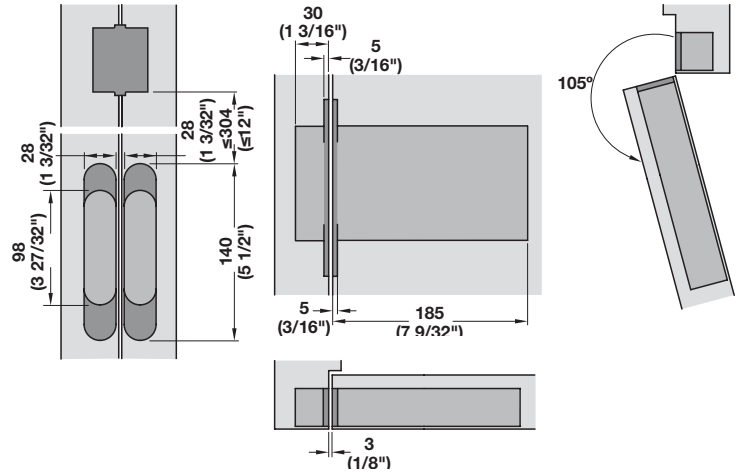
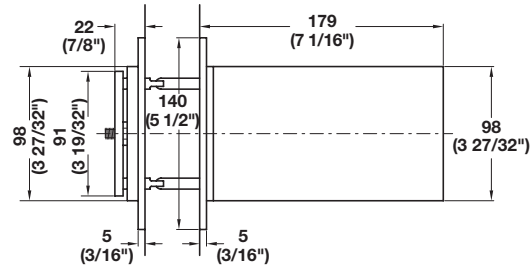


- For flush wood and hollow metal doors and frames, not suitable for falling and rising hinges
- Closing speed and latch action are adjustable
- Non-handed
- Cycle test: endurance tested to 500,000 cycles
- UL 10B, UL 10C and UL 228 approved
- ANSI/BHMA A156.4 approved
- Conforms to ADA to meet barrier free applications



5

Perko – Power

- Maximum door weight: 80 kg (175 lbs.)
- Maximum door width: 965 mm (38")
- Door thickness: 1 1/2" – 1 3/4" (38 – 45 mm)
- Opening angle: ≤105°

Material: Anchor and Face Plates: Solid Brass
Closer Links: 316 Stainless Steel

Finish	Item No.
polished brass	931.90.438
polished chrome	931.90.432
satin chrome	931.90.434

Supplied With

Mounting screws

Note

Closer should be mounted within 12" (304 mm) from a door hinge. To comply with fire testing closer should be mounted within 30" (762 mm) from the base of the door. For doors with an opening angle larger than 105° a door stop has to be installed.

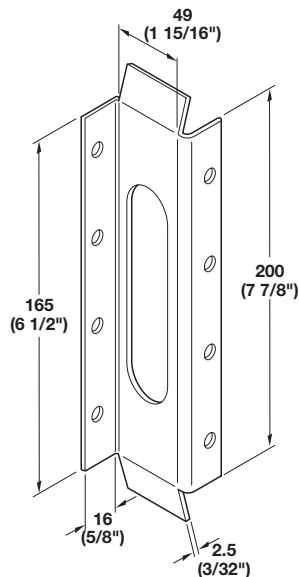
Mounting Bracket

- For mounting of concealed jamb door closer to hollow metal door frames

Material: Raw Steel

Item No.
931.90.920

Dimensional data not binding. We reserve the right to alter specifications without notice.



Dimensions in mm
Inches are approximate