

Perko

- Powder-coated mechanism housing
- Precision-engineered chain
- Tested up to 500,000 cycles
- Suitable for fire-rated doors; UL approved, listing mark 85R6
- Maximum door opening angle: 130° (for larger openings a door stop should be installed)
- Suitable for door weights up to: 50.8 kg (112 lbs.)
- Minimum door thickness: 38 mm (1 1/2")
- Mounting instructions are supplied with each closer

Material: Brass; Anchor Plates: Solid Brass

Finish	Item No.
polished	931.90.418
polished chrome	931.90.412
satin chrome	931.90.414

Supplied With

Mounting screws

5



Perkomatic

- Mechanism housed in a light-weight aluminum casing
- Factory-set smooth controlled rate of closure
- The sealed hydraulic mechanism can be adjusted to provide the desired latching action
- Precision-engineered chain ensures smooth and lasting service
- Designed and tested to 500,000 cycles
- Suitable for fire-rated doors; UL and cUL approved, listing mark 85R6
- Suitable for left and right handed applications
- Suitable for door weights of up to 75 kg (165 lbs.)
- Minimum door thickness 38 mm (1 1/2")
- Max. door width: 850 mm (33 7/16")
- Maximum door opening angle 130° (for larger openings a door stop should be installed)

Material: Brass; Anchor and Face Plates: Solid Brass

Finish	Item No.
polished	931.90.408
polished chrome	931.90.422
satin chrome	931.90.424

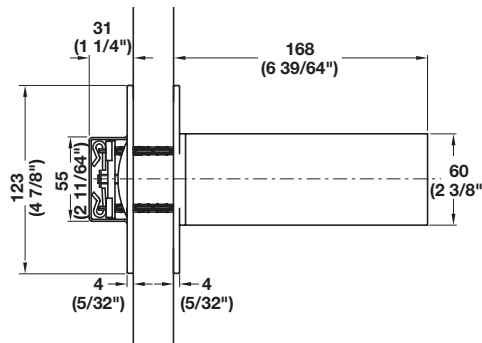
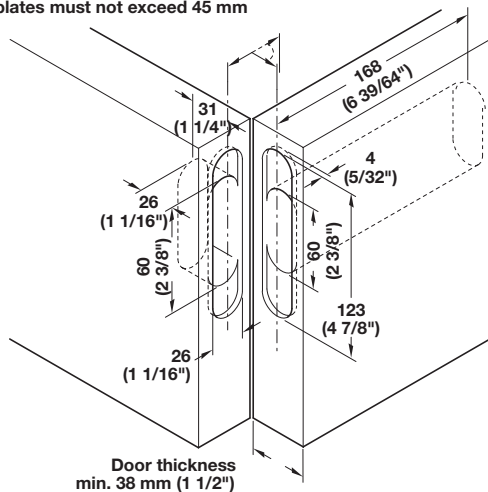
Supplied With

Mounting screws
Mounting instructions

Note

Closer cannot be used on doors hung on, projecting, rising or falling butt hinges

Distance between centers of fixing plates must not exceed 45 mm



Dimensions in mm
Inches are approximate