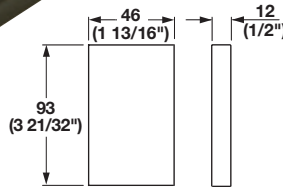
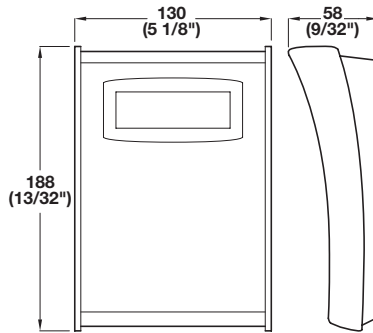
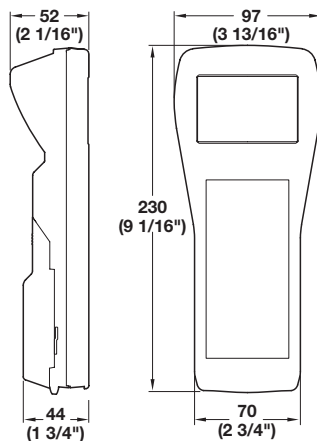


### Tag-it™



#### Note

The encoding stations can be integrated into various hotel management systems of different vendors via the Dialock HMS Interface (Hotel Management Systems). Implementation of the Dialock software modules should be carried by a trained and authorized Dialock reseller.



### Encoding Station

- For interior installations
- Programs Dialock keys in combination with a PC and Dialock software module or for integration in external software modules
- Programming of all electronic keys at one central location
- Integrated microprocessor
- Infrared connection for communication with MDU USB cable used in connection with the serial port of the PC
- LCD for status display

Material: Plastic

Color	Item No.
silver/gray	917.42.015

#### Supplied With

Cable to PC with USB plug  
Master login card  
Dialock software CD

### Encoding Station – ES Mini

- For interior installations
- Programs Dialock keys in combination with a PC and Dialock software module (personnel, hotel, etc.)
- Integrated microprocessor
- USB cable to connect to a PC

Material: Plastic

Color	Item No.
black	917.42.017

#### Supplied With

Cable to PC with USB plug, 5 7/8" (150 mm)  
Master login card  
USB extension cable, 70 7/8" (1.8 m)  
Dialock software CD

#### Technical Data

Screen type	LCD
Screen size	60 mm x 33 mm (2 3/8" x 1 5/16")
Characters per line	21
Character height	4 mm (1/8")
Approximate weight	ca. 450 g (1 lb.)
Keys	20
Voltage supply	6V (supplied via USB connection to PC)
Current consumption	230 mA
Firmware	Flash programmable
Memory	128 KB RAM, 64 KB terminal data, 64 KB internal data
Interface	Cable RS 232, infrared

### Mobile Data Transfer Unit - MDU

- To transfer data between encoding station (ES) and terminals
- Integrated infrared interface
- Fast integration of individual terminals into the Dialock system
- Transfer of data and settings set with the Dialock software (ie.: group access authorization, time zone settings, and project codes)
- Transfer audit information from terminals; up to 150 attempts
- Setting authorized groups, room numbers, date/time, and terminal parameters

Material: Plastic; Color: anthracite gray similar to RAL 7020

Language	Item No.
English/Spanish	917.42.142
English/French	917.42.144

#### Supplied With

USB cable  
Instructions