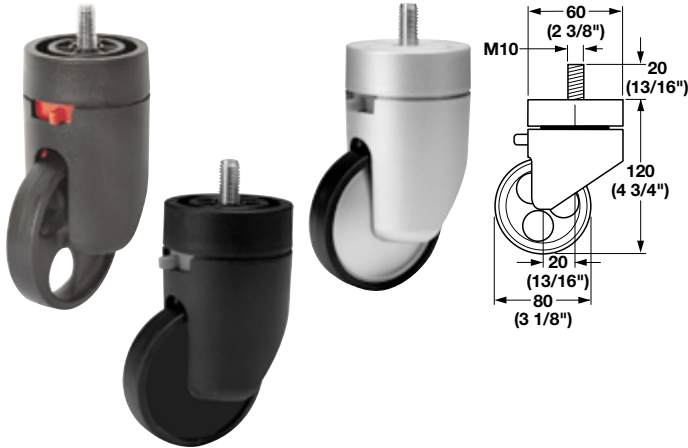


- With brake and M10 thread
- Unique locking mechanism secures wheel in both rotation and swivel
- Rubberized surface on wheel insures a quiet and smooth operation
- Load carrying capacity: 120 kg (264 lbs.) per caster



Swiveling Locking Caster

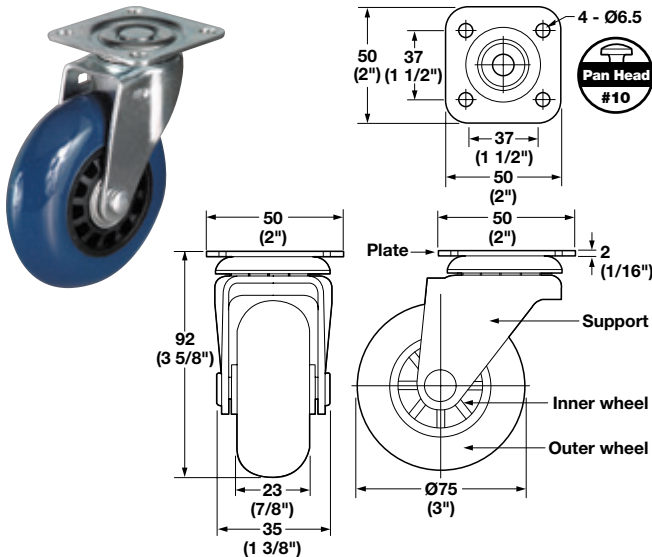
Material: Steel; Body: Plastic; Wheel: Rubber

Color	Item No.
black with pierced wheel	661.29.300
black with solid black wheel	661.29.305
silver with silver wheel	661.29.910

Set Supplied With

4 casters

- Plate mount
- Non-marring polyurethane wheel
- Smooth, quiet running on ball bearing axle
- Available in various colors, including transparent
- Load carrying capacity: 40 kg (88 lbs.) per caster



Swiveling Caster

Material: Outer wheel: PU-Polyurethane
Inner wheel: PU-Polyurethane
Support/plate: Steel, zinc-plated

Outer Wheel Color	Inner Wheel Color	Item No.
gray	black	663.24.521
blue	black	663.24.821
black	black	663.24.921
transparent	transparent	663.24.721

Dimensional data not binding. We reserve the right to alter specifications without notice.