

Base Leveler

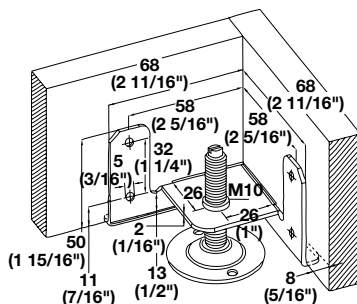
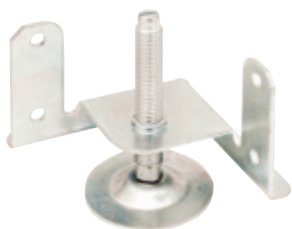
- With corner support
- Foot plate swivels for uneven surfaces
- Provides 20 mm (3/4") of adjustment
- Load capacity: 150 kg (330 lbs.)

Material: Steel

Finish	Item No.
zinc-plated	637.37.904

Set Supplied With

M8 x 70 (2 3/4") bolt with M4 hexagonal socket head
 Base plate Ø34 mm with plastic cap
 2 left levelers
 2 right levelers



Base Leveler

- With supporting bracket
- Groove or screw-mounted
- Provides +50 mm (2") of adjustment
- Load capacity: 150 kg (330 lbs.)

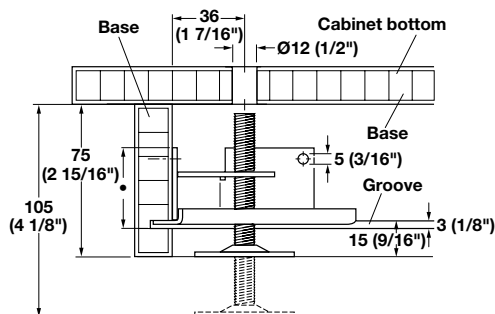
Material: Steel

Finish	Item No.
zinc-plated	637.63.900

Supplied With

M10 x 70 (2 3/4") bolt with slotted head
 Base plate Ø45 mm

6



Base Leveler

- With supporting bracket
- Groove or screw-mounted
- Minimum installation height: 75 mm (3")
- Load capacity: 150 kg (330 lbs.)
- Adjustment range: + 30 mm (1 1/8")

Material: Steel

Finish	Item No.
zinc-plated	637.23.900

Supplied With

Threaded bolt M10 x 65 mm (2 9/16")
 Hexagon socket M5
 Swiveling base plate Ø50 mm (2")