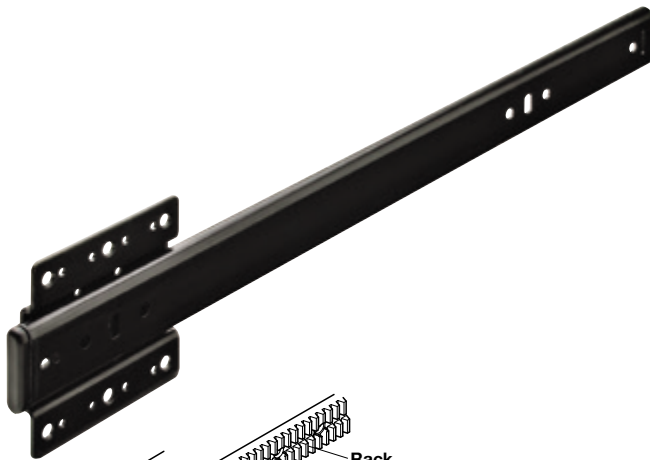


RP 42/60 System

- Maximum door weight: 14 kg (30 lbs.)
- Maximum door thickness: 32 mm (1 1/4")
- Minimum door height: RP 42 – 1067 mm (42")
RP 60 – 1524 mm (60")
- Minimum pocket width:
 - Door thickness: 16 – 22 mm (5/8 – 7/8") = 57 mm (2 1/4")
 - Door thickness: 22 – 32 mm (7/8 – 1 1/4") = 67 mm (2 5/8")



Ball Bearing Slide

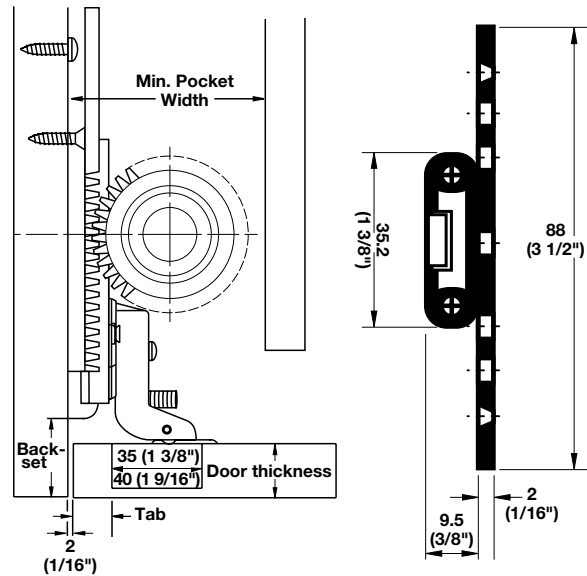
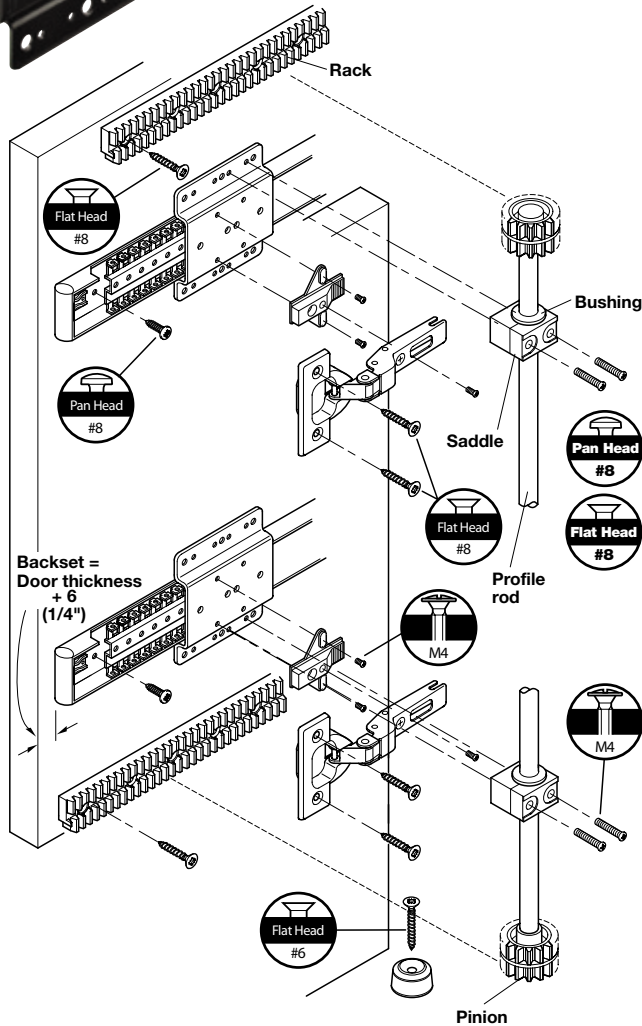
Material: Steel; Color: black

Length	Max. Retraction	Item No.
304 (12")	224 (8 3/4")	408.11.309
354 (14")	274 (10 3/4")	408.11.354
404 (16")	324 (12 3/4")	408.11.407
454 (18")	374 (14 3/4")	408.11.452
504 (20")	424 (16 3/4")	408.11.505
554 (22")	474 (18 3/4")	408.11.550
604 (24")	524 (20 3/4")	408.11.603

Note

Components listed on pages 7.161–7.162 are needed for each door.

7



Dimensional data not binding. We reserve the right to alter specifications without notice.

Dimensions in mm
Inches are approximate