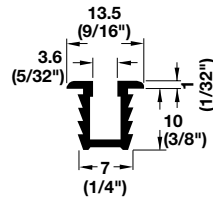
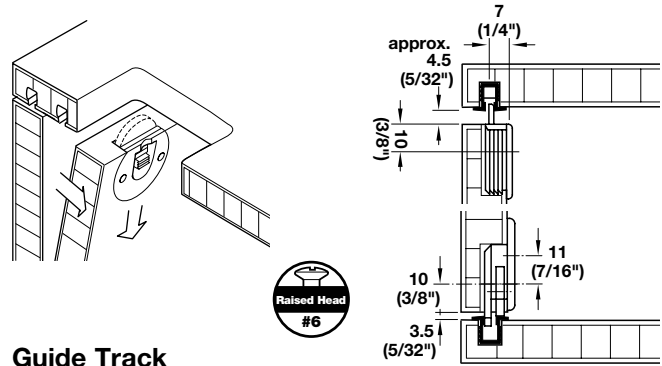


- Maximum door weight: 12 kg (26 lbs.)
- Fittings form combinations for sliding doors with upper and lower guides
- Guide track is designed to be used both at the top and bottom of the cabinet
- Bottom roller guide glides friction-free in the track recess



Guide Track

- Press-fit
- With flanged edges and barbed shoulders
- For top and bottom of cabinet

Material: Plastic

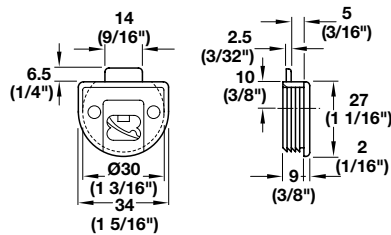
Color	Length	Item No.
brown	2.5 m (8' 2 7/16")	404.14.111
	3 m (9' 10 1/8")	404.14.133
white	2.5 m (8' 2 7/16")	404.14.701
	3 m (9' 10 1/8")	404.14.713

Upper Guide

- Spring-loaded, press-fits and screw-mounts to the sliding door

Material: Plastic

Color	Item No.
brown	404.21.154

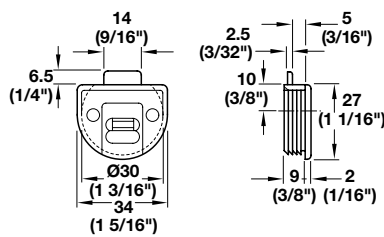


Upper Guide

- Lockable, press-fits and screw-mounts to the sliding door

Material: Plastic

Color	Item No.
brown	404.21.109

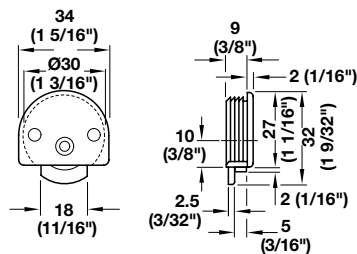


Lower Guide

- With double bearing mounted axle
- Press-fits and screw-mounts to the sliding door

Material: Plastic

Color	Item No.
brown	404.22.106

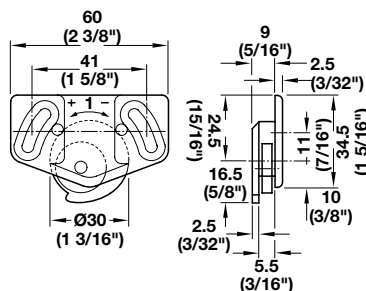


Lower Roller

- Vertically adjustable with double bearing mounted axle
- Screw-mounts to the sliding door

Material: Plastic

Color	Item No.
brown	404.22.151



7

Dimensions in mm
Inches are approximate