

Accuride Full Extension, Progressive

- Weight capacity: 45 kg (100 lbs.)/pair
- Full drawer access with smooth, consistent movement
- Low profile - 60 mm (2 3/8")
- Steel ball bearings for increased strength & stability
- Hold-in detent prevents drawer bounce back and roll out
- Rail mounted for easy drawer installation and removal
- Maximum drawer width 24"



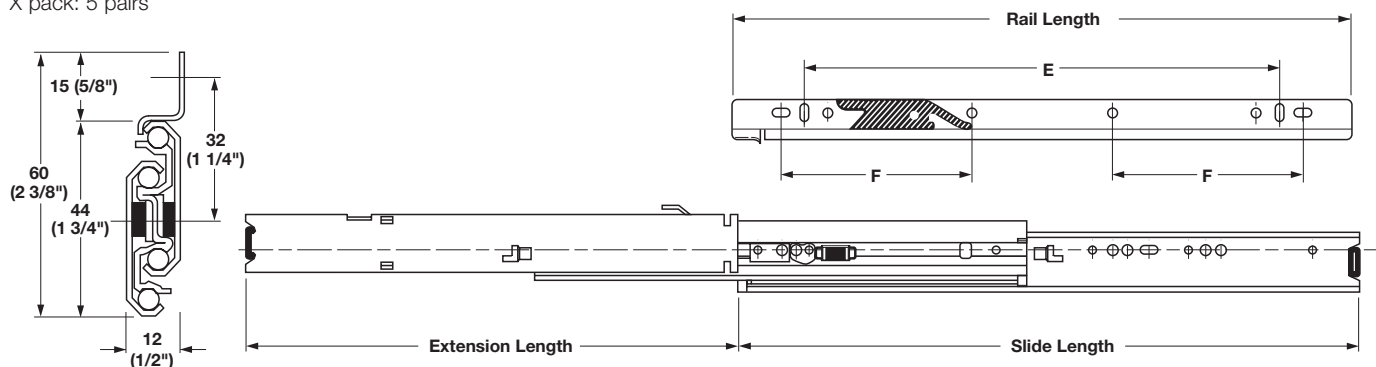
7432 - Side Mounted

Material: Steel, Zinc-plated

Installed Length		Extension Length		Rail Length		Shop Pack		X Pack
						Zinc-plated	Black	Zinc
12"	(300)	12"	(304)	10 9/16"	(268)	422.29.930	422.29.330	422.29.932
14"	(350)	14"	(355)	10 9/16"	(268)	422.29.935	422.29.335	422.29.937
16"	(400)	16"	(405)	13 1/16"	(332)	422.29.940	422.29.340	422.29.942
18"	(450)	18"	(455)	13 1/16"	(332)	422.29.945	422.29.345	422.29.947
20"	(500)	20"	(505)	16 7/8"	(428)	422.29.950	422.29.350	422.29.952
22"	(550)	22"	(555)	20 5/8"	(524)	422.29.955	422.29.355	422.29.957
24"	(600)	24"	(605)	20 5/8"	(524)	422.29.960	422.29.360	422.29.962
26"	(650)	26"	(655)	24 7/16"	(620)	422.29.965	422.29.365	422.29.967
28"	(700)	28"	(705)	24 7/16"	(620)	422.29.970	422.29.370	422.29.972

Supplied with
Mounting screws

Note
X pack: 5 pairs



Rail Dimensions

Installed length	Rail length	E	F
12-14" (300 - 350)	10 1/2" (268)	7 1/2" (192)	4" (102)
15-18" (379 - 450)	13" (332)	10" (254)	4" (102)
19-21" (480 - 530)	16 3/4" (428)	13 3/4" (352)	4" (102)
22-25" (550 - 629)	20 3/4" (524)	17 3/4" (448)	7" (178)
26-28" (650 - 700)	24 1/2" (620)	21 1/2" (544)	7" (178)

Dimensional data not binding. We reserve the right to alter specifications without notice.