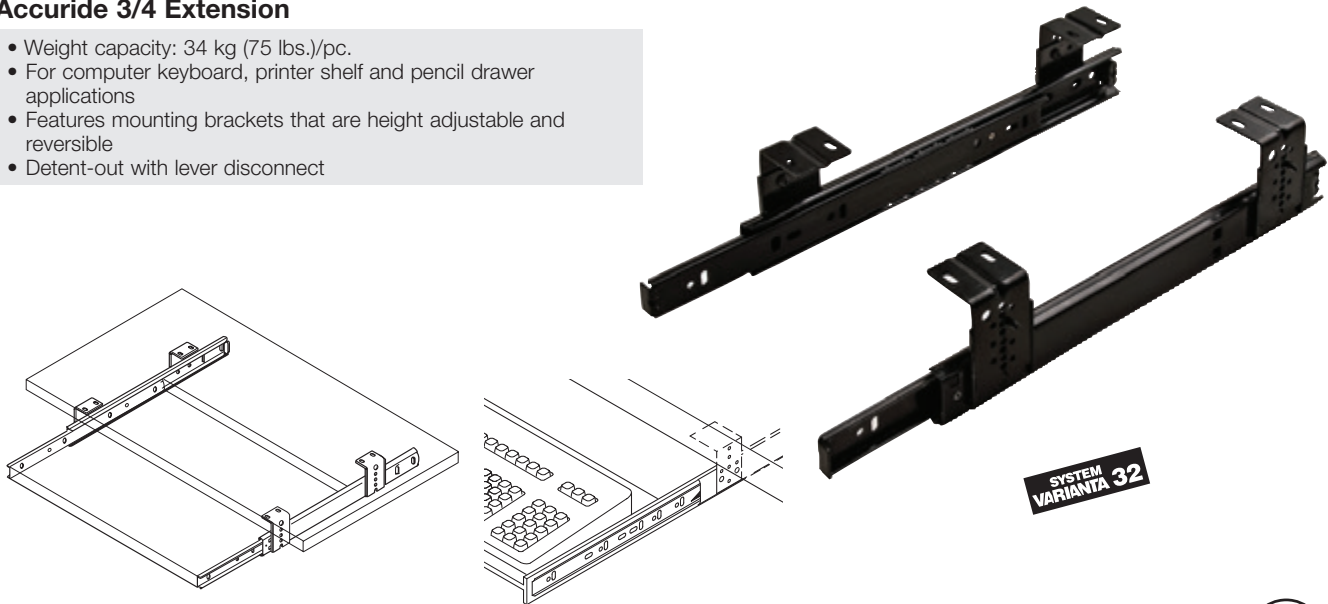


### Accuride 3/4 Extension

- Weight capacity: 34 kg (75 lbs.)/pc.
- For computer keyboard, printer shelf and pencil drawer applications
- Features mounting brackets that are height adjustable and reversible
- Detent-out with lever disconnect



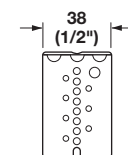
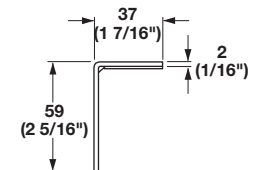
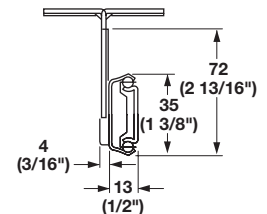
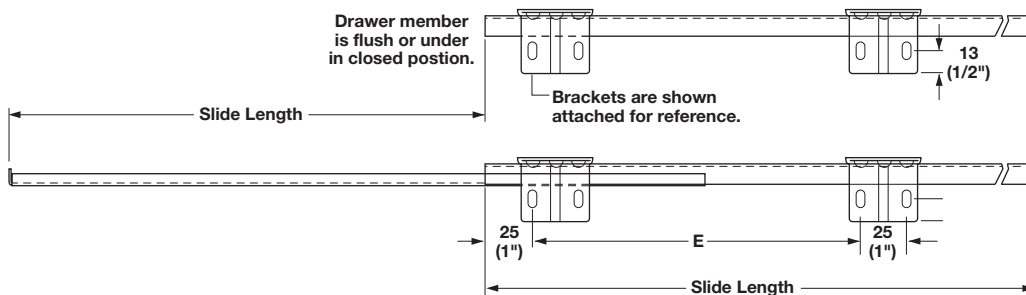
### 2109 - Top Mounted

Material: Steel; Finish: black

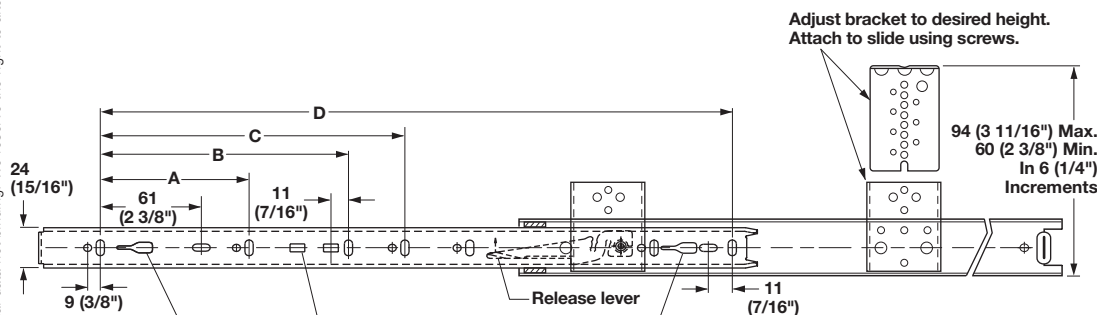


Slide Length	Slide Travel	A	B	C	D	E	Item No.
12" (300)	8" (205)	3 7/8" (96)	-	-	9 1/2" (242)	8 1/2" (215)	422.14.300
14" (350)	10 1/4" (260)	5" (128)	-	-	11 1/2" (292)	8 1/2" (215)	422.14.335
15 3/4" (400)	11" (281)	5" (128)	-	-	13 1/2" (342)	8 1/2" (215)	422.14.340
17 3/4" (450)	13" (331)	5" (128)	8 13/16" (224)	-	15 7/16" (392)	8 1/2" (215)	422.14.345
19 11/16" (500)	14 3/4" (376)	5" (128)	8 13/16" (224)	-	17 7/16" (442)	11 1/2" (292)	422.14.350
21 21/32" (550)	16 3/8" (315)	5" (128)	8 13/16" (224)	12 5/8" (320)	19 3/8" (492)	11 1/2" (292)	422.14.355
23 21/32" (600)	17 7/5" (351)	5" (128)	8 13/16" (224)	12 5/8" (320)	21 3/8" (542)	11 1/2" (292)	422.14.360

Brackets may face in or out



Adjust bracket to desired height. Attach to slide using screws.



Dimensional data not binding. We reserve the right to alter specifications without notice.

