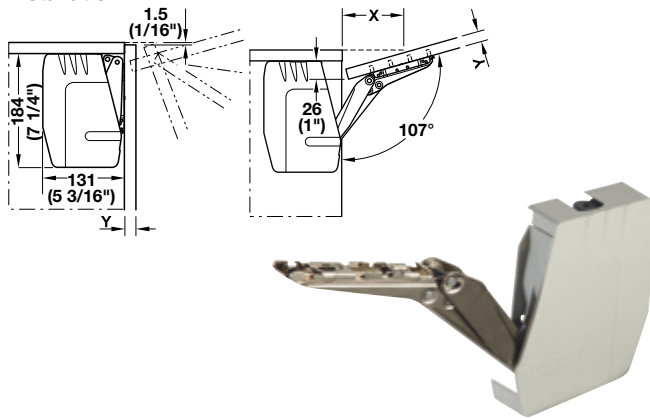


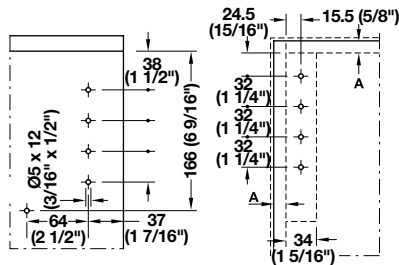
FREE Flap 3.15

- For large, one-piece doors made of wood or with aluminum frame
 - Door height: 350 - 650 mm (13 3/4" - 25 9/16")
 - Opening angle 90° or 107°, adjustable on fitting
- Adjustments: Height/side/tilting angle of front +/- 1.5 mm (1/16"), holding power

Installation



Front panel thickness Y mm	16 (5/8")	19 (3/4")	22 (7/8")	26 (1")	28 (1 1/8")
Distance X mm (with top panel thickness 16 mm (5/8"))	83 (3 1/4")	74 (2 15/16")	64 (2 1/2")	52 (2 1/16")	46 (1 13/16")



Drilling pattern for cabinet

Drilling pattern for front panel

Sample measurements table for max. door weight in lbs.

Model/ Door Height	D	E	F	G
14"	11.4	24.2	14.7	31.4
15"	10.7	22.4	13.8	28.8
16"	10.3	21.1	13.0	27.3
17"	9.7	19.8	12.3	25.5
18"	9.0	18.5	11.4	24.0
19"	8.6	17.6	10.8	22.7
20"	8.1	16.5	10.3	21.3
21"	7.7	15.6	9.7	20.2
22"	7.3	15.0	9.2	19.4
23"	7.0	14.3	8.8	18.5
24"	6.6	13.6	8.4	17.6
25"	6.1	12.9	7.9	16.7
26"	5.7	12.3	7.4	16.0



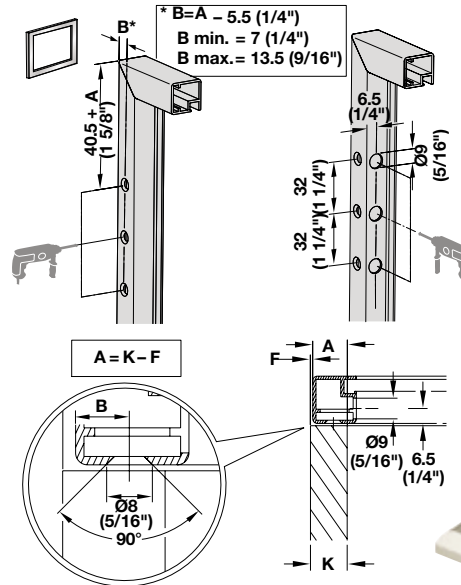
FREE Flap 3.15

Material: Fitting: Steel; Finish: nickel-plated
Cover Cap: Plastic; Color: gray RAL 7035

Model	Item No.
D	372.91.330
E	372.91.331
F	372.91.332
G	372.91.333

Set Supplied With

- 2 Fittings (right/left)
 - 2 Cover caps for fitting (right/left)
 - 2 Screw-on brackets for wood doors or doors with aluminum frame, from frame width 45 mm (1 3/4")
- Installation instructions
Drilling jig



Adapter

- For aluminum frame doors 20 mm (13/16") or less
- For left or right hand use

Material: Zinc alloy

Finish	Item No.
nickel-plated	372.91.599

Set Supplied With

Screws (M4x10 mm)

Note

Fitting is visible with clear and acid-etch glass, back painted glass should be considered.

Dimensional data not binding. We reserve the right to alter specifications without notice.

Dimensions in mm
Inches are approximate