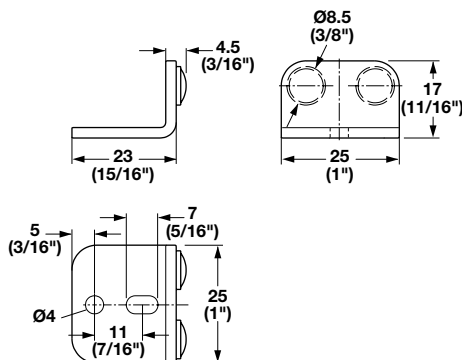


- For single doors
- Inset doors when self-closing concealed hinges are used
- Various door stop applications

Material: Bracket: Steel
Bumper: Polyurethane, transparent

Finish	Item No.
nickel-plated	251.79.602

Supplied With
48 brackets
48 bumpers
Polybag

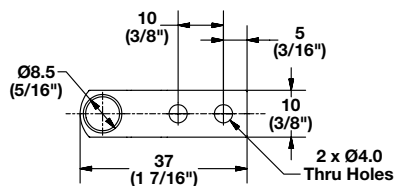
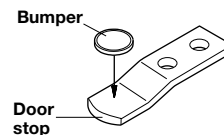


- For double doors
- Inset doors when self-closing concealed hinges are used
- Various door stop applications

Material: Bracket: Steel
Bumper: Polyurethane, transparent

Finish	Item No.
nickel-plated	251.79.604

Supplied With
48 brackets
96 bumpers
Polybag



- Use with revolving kitchen corner units with inset doors such as Häfele's Suzie-Q™
- Inset doors when self-closing concealed hinges are used
- Various inset door applications

Material: Bracket: Steel
Bumper: Polyurethane, transparent

Finish	Item No.
nickel-plated	251.79.600

Supplied With
48 brackets
48 bumpers
Polybag

Note
Bumpers do not come attached. Wood screws must be ordered separately.

Dimensional data not binding. We reserve the right to alter specifications without notice.