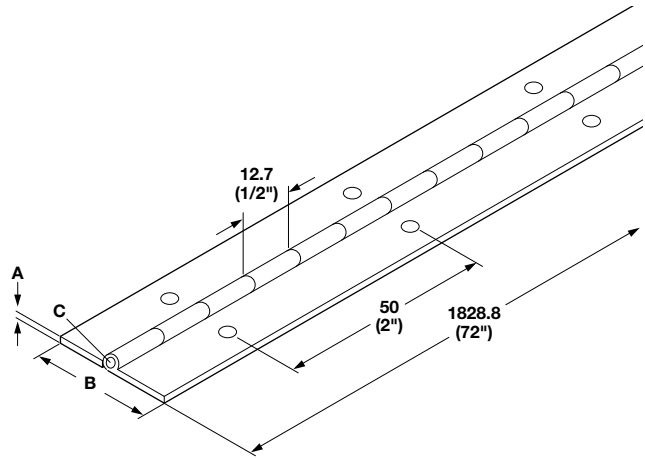
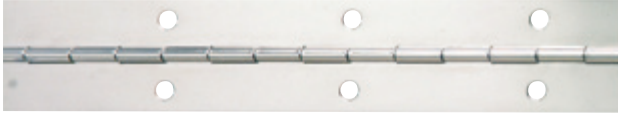


- Hinges are post-plated and free of machine oil
- Stainless steel is 304 grade with a bright annealed (BA) finish
- BA finish provides a shiny, more decorative look
- All holes are countersunk for screws
- Hinges can be cut by the customer to desired length

Note

Special order hinges are available in a minimum quantity of 300 ft. (steel) and 150 ft. (stainless steel)



Piano Hinge

- For furniture, cabinetry and marine applications
- Knuckle length: 12.7 mm (1/2")
Hole spacing: 50 mm (2")
Length: 1828.8 mm (72")

Material	Finish	Open Width (B)	Gauge (A)	Pin Diameter (C)	Item No.
steel	polished brass	27 (1 1/16")	1.02 (.04")	2.29 (.09")	351.09.513
steel	polished nickel	27 (1 1/16")	1.02 (.04")	2.29 (.09")	351.09.613
steel	polished brass	31.8 (1 1/4")	1.02 (.04")	2.29 (.09")	351.09.523
steel	polished nickel	31.8 (1 1/4")	1.02 (.04")	2.29 (.09")	351.09.623
stainless steel	stainless steel	31.8 (1 1/4")	.94 (.037")	2.54 (.1")	351.10.023
steel	polished brass	38.1 (1 1/2")	1.02 (.04")	2.29 (.09")	351.09.533
steel	polished nickel	38.1 (1 1/2")	1.02 (.04")	2.29 (.09")	351.09.633
stainless steel	stainless steel	38.1 (1 1/2")	.94 (.037")	2.54 (.1")	351.10.033
steel	polished brass	50.8 (2")	1.02 (.04")	2.29 (.09")	351.09.543
steel	polished nickel	50.8 (2")	1.02 (.04")	2.29 (.09")	351.09.643
stainless steel	stainless steel	50.8 (2")	.94 (.037")	2.54 (.1")	351.10.043

Orders Supplied With

5 pcs
Screws