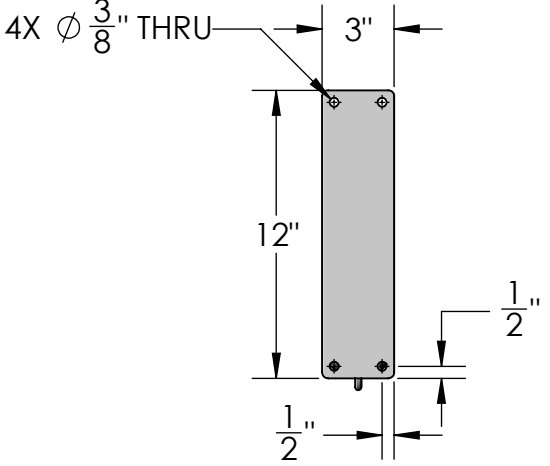
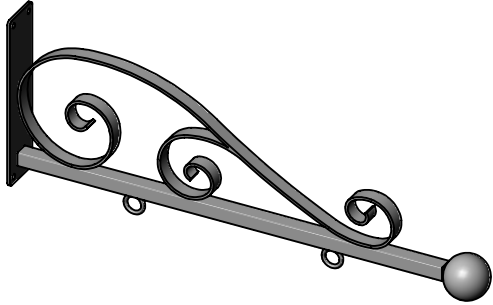
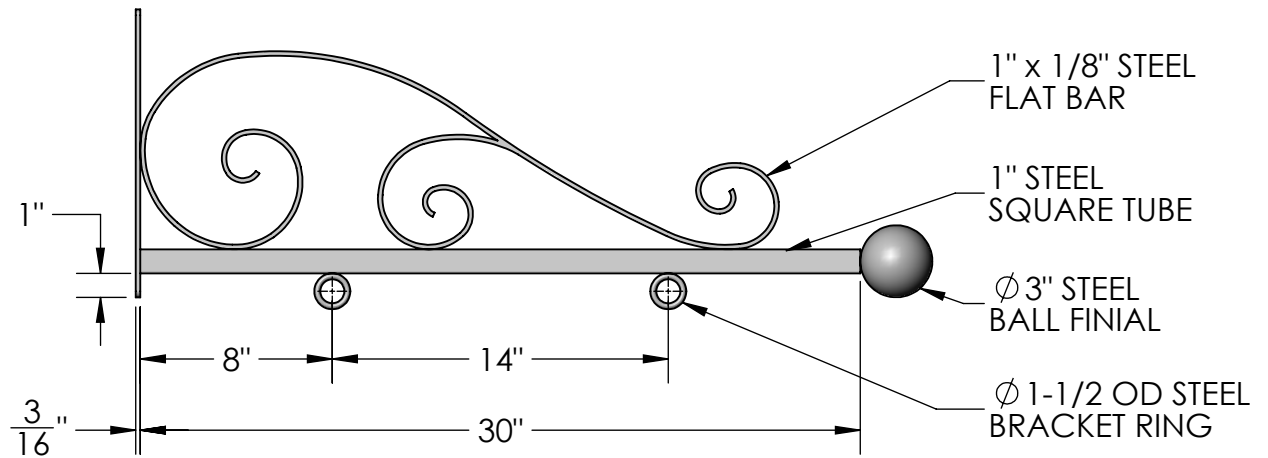


| REVISIONS | | | |
|-----------|-------------------------------------|-----------|----|
| REV. | DESCRIPTION | DATE | CB |
| A | ORIGINAL DRAWING | 5/2015 | CF |
| B | UPDATED ARM LENGTH, 30" NOT INC. BF | 3/21/2016 | CF |



SIDE VIEW



FRONT VIEW

| | | | |
|---|--|--|--|
| Material: Steel | Content: 30" Torino Elite Hanging Blade Sign Bracket PN: 370B-30 | Design by Sign Bracket Store. All visual representations and designs are the intellectual property of Sign Bracket Store and protected under copyright law. Any duplication of this design is in direct violation of the law and will result in legal action. © Copyright 2008-2016 | |
| Scale: 1:8 DB: CF Rev: B Sheet: 1 of 1 | Color/Finish: Textured Black Powder Coat Customer Approval: _____ | | |