



ECO-2020™

REFRIGERANT RECOVERY UNIT

High Performance • Oilless • Residential • Light Commercial



Product Leadership • Training • Service • Reliability



**User Manual
2020-9000 Rev. 1
December 2017**

WARRANTY

Bacharach, Inc. (Bacharach) warrants to the buyer that this product will be free from material defects, free from manufacturing defects, and will conform substantially to Bacharach's applicable specifications at the time of delivery.

Bacharach's liability and the buyer's remedy under this warranty are limited to the repair or replacement, at Bacharach's option, of this product or parts thereof returned with a Return Material Authorization (RMA) to Bacharach and shown to Bacharach's reasonable satisfaction to have been defective; provided that written notice of the defect is given by buyer to Bacharach within one (1) year after the date of purchase of this Product from an authorized Bacharach distributor, as indicated on the original sales receipt. The warranty excludes damage to the unit caused by misuse or mishandling. Such abuse, as determined by Bacharach, will void the warranty, and the customer can decide to have the unit repaired at current repair rates, replaced at current cost, or returned (postage paid by customer). If you have any questions, please contact our Customer Service Department at 800-736-4666 or email them at help@mybacharach.com.

Bacharach warrants to the buyer that Bacharach will convey good title to this product. Bacharach's liability and the buyer's remedy under this warranty of title are limited to: the removal of any title defects or, at the election of Bacharach, the replacement of this product or parts thereof that are defective in title.

The foregoing warranty is exclusive and is given and accepted in lieu of (I) any and all other warranties, express or implied, including without limitation the implied warranties of merchantability and fitness for a particular purpose: and (II) any obligation, liability, right, claim or remedy in contract or tort, whether or not arising from Bacharach's negligence, actual or implied. The remedies of the buyer shall be limited to those provided herein to the exclusion of any and all other remedies including, without limitation incidental or consequential damages. No agreement varying or extending the foregoing warranty, remedies or this limitation will be binding upon Bacharach unless in writing and signed by a duly authorized officer of Bacharach.

Copyright © 2017, Bacharach, Inc.
All rights reserved.

BACHARACH® is a registered trademark of Bacharach, Inc. ECO-2020™ and the stylized ECO-2020™ logo are trademarks of Bacharach, Inc. All other trademarks, trade names, service marks and logos referenced herein belong to their respective owners.

Table of Contents

SECTION 1. INTRODUCTION 4

1.1. Safety (General Prerequisites) 4

1.2. Safety (Proper Surroundings) 5

1.3. Safety (Proper Setup) 5

1.4. Safety (Proper Operations) 6

1.5. Specifications 7

1.6. Components 8

SECTION 2. OPERATION 12

2.1. Overview 12

2.2. High Pressure Shut-Off Feature..... 13

2.3. Low Pressure Shut Off Feature..... 13

2.4. 80% Shut-Off Feature 13

2.5. Recovery Mode (Liquid or Vapor) 13

2.6. Purge Mode..... 16

2.7. Liquid Push/Pull Recovery Mode 16

2.8. Recovery Tips 19

2.9. Resuming an Interrupted Recovery 19

SECTION 3. MAINTENANCE AND TROUBLESHOOTING 20

3.1. Troubleshooting 20

3.2. Exploded Drawing Showing Spare Parts..... 21

3.3. Accessories 23

3.4. Wiring Diagram 24

List of Figures

Figure 1. ECO-2020 (Front View Showing Control Knob Operation)..... 8

Figure 2. ECO-2020 (Front Panel and Gauge Details) 9

Figure 3. Shoulder Strap (Showing Connecting Points) 10

Figure 4. Filter and 4-Inch Hose 10

Figure 5. Optional 80% Shut-off Cable 11

Figure 6. Power Connector, Example Power Cord, and Sample Power Labels 11

Figure 7. Recovery Configuration..... 15

Figure 8. Liquid Push/Pull Configuration 18

Figure 9. Parts Diagram..... 21

Figure 10. Wiring Diagram 24

Section 1. Introduction

1.1. Safety (General Prerequisites)



KNOW YOUR EQUIPMENT! Before operating this unit, please read this manual in its entirety. It is important that you have a thorough understanding of the procedures outlined in this manual. Failure to follow these procedures could void all manufacturer warranties. Also, read and understand the labels affixed to the unit. Learn the application and limitations as well as the specific potential hazards of your equipment.



READ THE MSDS (material safety data sheet) from the refrigerant manufacturer before handling refrigerants.



CAUTION! These instructions are for personnel trained and experienced in the handling of refrigerants. Unqualified individuals should not attempt to operate this equipment. Failure to follow proper operating procedures may cause personal injury.



COMBUSTIBLE/FLAMMABLE GAS WARNING! For your safety, DO NOT use this device to recover refrigerants which are rated as combustible/flammable gases (e.g., ASHRAE - A2 or A3 rated refrigerants).



CAUTION! Wear safety goggles and protective gloves. Avoid eye contact and prolonged skin exposure to liquid refrigerant, as contact may cause frostbite.



CAUTION! Avoid breathing high concentrations of refrigerant vapors. Inhalation of high concentrations is harmful and may cause heart irregularities, unconsciousness, or death.

1.2. Safety (Proper Surroundings)



AVOID DANGEROUS ENVIRONMENTS! Although the unit can be used outdoors, do not operate in the rain or in wet locations. Secure the unit when working above floor level. This equipment should not be used in the vicinity of spilled or open containers of flammable materials.



HAZARDOUS AREA WARNING! This instrument has not been designed to be intrinsically safe for use in areas classified as hazardous locations. DO NOT use it in locations classified as hazardous.



VENTILATION REQUIREMENTS! This equipment should be used in a location that is thoroughly ventilated (e.g., outdoors). For indoor use, mechanical ventilation must provide at least 4 air changes per hour, or the equipment should be located at least 18" above the floor.

1.3. Safety (Proper Setup)



CAUTION! Make sure the power switch is in the OFF position before plugging this equipment into an AC power source.



GROUND ALL EQUIPMENT! The ECO-2020 is equipped with a three-pronged grounded power cord.



USE AN APPROPRIATE EXTENSION CORD! Keep extension cord length to a minimum. It should be a minimum of 14 AWG (2.0 mm²) and no longer than 25 feet (7.5 m) to minimize the possibility of damage to the compressor.



CAUTION! All refrigerant hoses, recovery tanks, refrigerant lines, the ECO-2020 unit, and other vessels containing refrigerants should be handled at all times as if under high pressure.



WARNING! Before starting the unit you MUST OPEN the port to the recovery tank. Failure to open the port will cause permanent damage to the ECO-2020 and void the warranty.

1.4. Safety (Proper Operations)



WARNING! Only cylinders rated at 400 psi or greater and certified for R410A should be used to recover R410A. Failure to use the proper cylinder can be extremely dangerous.



USE RECOMMENDED ACCESSORIES! Follow the instructions that accompany all accessories. Improper use of accessories may damage the equipment or create a hazard.



USE WEIGHT (CHARGING) SCALE! When the ECO-2020 does not have the 80% Shut-Off Kit option installed, a scale (P/N 2010-0000 or similar) must be used to indicate when the recovery tank is 80% full (to prevent overfilling).



WARNING! The input pressure of the ECO-2020 must not exceed 26 bars (337 psi).



WARNING! The ECO-2020 must be positioned upright on a level surface, otherwise vibration, noise, and/or abrasion may occur.



WARNING! Do not block the ventilation openings of the ECO-2020.



WARNING! If the internal circuit breaker trips, wait at least 5 minutes before resetting.



REPAIR DAMAGED PARTS! Do not operate the unit with a defective part. Repair unit to proper operating conditions.




WARNING! Unplug unit before servicing; otherwise, an electrical shock hazard will be present when the unit is disassembled.



IMPORTANT! Periodically check the filter screen (located inside the brass fitting of the inlet port) before using and clean if necessary.

1.5. Specifications

Item	Description	
Compressor	Oilless, air-cooled, twin cylinder	
Motor	1 HP (1450 rpm @ 50 Hz; 1750 rpm @ 60 Hz)	
Power and Current Draw	110-120 VAC/60 Hz	10 A max
	100 VAC/50-60 Hz	10 A max
	220-240 VAC/50-60 Hz	5A max
High Pressure Shut-Off	38.5 bar (3850 kPa, 558 psi)	
Operating Temperature	32° to 104° F (0° to 40° C)	
Dimensions	16.13" × 10.25" × 13.75" (410 mm × 260 mm × 350 mm)	
Weight	28.5 lbs (12.9 kg)	
Supported Refrigerants	AHRI 740-98	Cat III: R12, R134A, R401C, R406A, R500
		Cat IV: R22, R401A, R401B, R402B, R407C, R407D, R408A, R409A, R411A, R411B, R412A, R502, R509
		Cat V: R402A, R404A, R407A, R407B, R410A, R507
	Contact factory for other supported refrigerants.	
 WARNING! Never use the ECO-2020 to pump anything flammable, explosive, or corrosive.		

This equipment has been certified by AHRI to meet the EPA's Clean Air Act minimum requirements for recovery equipment as defined in AHRI Standard 740-1998. For refrigerant recovery rates, refer to AHRI's Certified Refrigerant Recovery/ Recycling Equipment Directory located at the following web URL.

<http://www.ahridirectory.org/ahridirectory/pages/rrr/RRREDirectory.pdf>

For additional information contact Bacharach, Inc.

1.6. Components

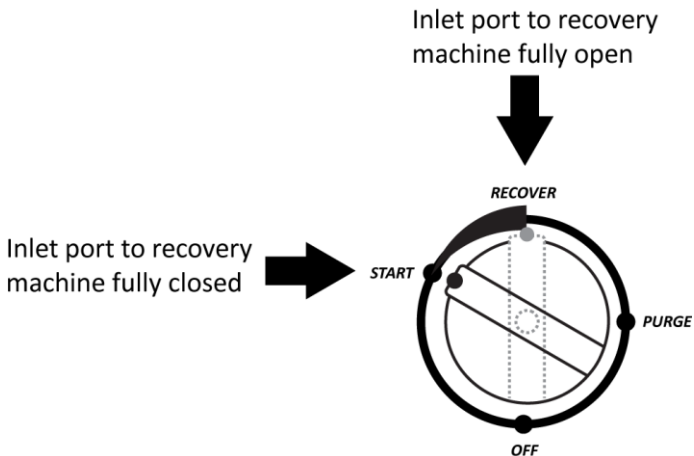


Figure 1. ECO-2020 (Front View Showing Control Knob Operation)

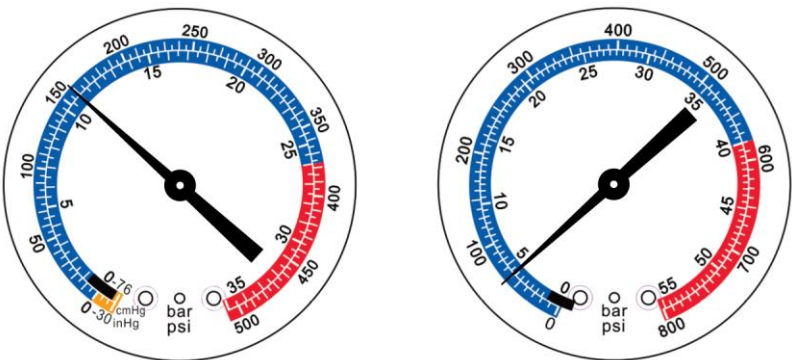
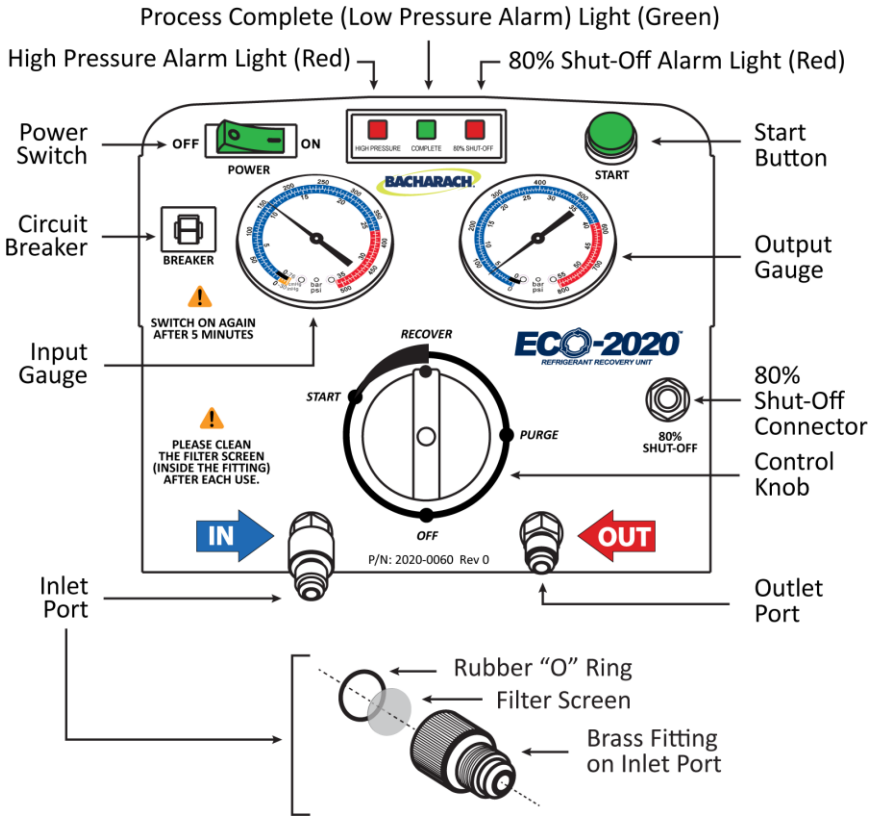


Figure 2. ECO-2020 (Front Panel and Gauge Details)



Figure 3. Shoulder Strap (Showing Connecting Points)

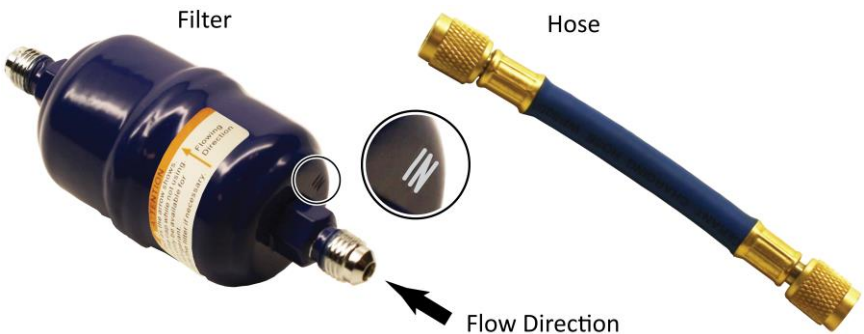


Figure 4. Filter and 4-Inch Hose



Figure 5. Optional 80% Shut-off Cable



Figure 6. Power Connector, Example Power Cord, and Sample Power Labels

Section 2. Operation

2.1. Overview



IMPORTANT: Do not mix different refrigerants together in one tank.



IMPORTANT: Before recovering refrigerant, the recovery tank should achieve a vacuum level of 29.6 in Hg (75 cm Hg) to purge non-condensable gases. Tanks are typically filled with nitrogen when manufactured in the factory. This nitrogen must be evacuated before the first use.



IMPORTANT: The power switch must be OFF before operation.



IMPORTANT: A in-line filter should always be used and should be replaced frequently. Each type of refrigerant must have its own filter. For optimal results, use only Bacharach replacement filters.



IMPORTANT: In order to gain maximum recovery speed, a hose with inner diameter larger than 3/16" (5 mm) is recommended and the hose should be shorter than 5' (1.5 m).



IMPORTANT: For recovering large amounts of liquid, use the Push/Pull configuration.



IMPORTANT: After recovering, make sure there is no refrigerant left in the unit. Refer to the Purge Operation section. Liquid refrigerant remaining in the unit may expand and destroy components.



IMPORTANT: If the unit is to be stored or remain unused for any length of time, completely evacuate any residual refrigerant and purge the unit with dry nitrogen.



IMPORTANT: The intake port is equipped with a filter screen. Clean it before every use to maintain performance.



NOTE: The low pressure gauge shows the pressure of the intake port of the compressor. The high pressure gauge shows the pressure of the outlet port of the recovery unit.



IMPORTANT: After use, turn the knob to the OFF position (to close inlet/outlet valves). Input and output fittings should be covered with protective caps when the unit is not in operation. Moisture in the air is harmful to the recovery process and will shorten the lifespan of the unit.

2.2. High Pressure Shut-Off Feature

The ECO-2020 has an internal high-pressure shut-off switch. If the pressure inside the system rises above the rated shut-off pressure (see specifications), the compressor will automatically shut off and the red high pressure alarm light will turn on. In the event the switch is activated, the output gauge should indicate < 435 psi (30 bars) to reset the switch.

2.3. Low Pressure Shut Off Feature

The unit has an internal low-pressure shut-off switch. If the pressure inside the system is lower than -14 in Hg (-35.5 cm Hg) for approximately 20 seconds, the unit will automatically shut off and the green low-pressure alarm light turns on.

2.4. 80% Shut-Off Feature

This unit can be used with a recovery tank's float level sensor. Connect the recovery unit and the tank with the 80% shut-off cable. If the liquid refrigerant reaches 80% capacity of the tank, the recovery unit will automatically shut off and the red 80% shut-off alarm light turns on. Before restarting the compressor, be sure to install a new (empty) tank.



IMPORTANT: If the refrigerant tank has no float level sensor, remove the 80% shut-off cable from the unit. Otherwise, the recovery unit will not start.

2.5. Recovery Mode (Liquid or Vapor)

The ECO-2020 can be used for pumping virgin refrigerant on an intermittent basis. Unlike recovered refrigerant, virgin refrigerant does not contain oil.



CAUTION: Routinely pumping virgin refrigerant through the ECO-2020 can remove lubrication from the compressor, resulting in premature failure.



ATTENTION: Use an in-line filter when recovering liquid. Contaminants (particularly from the bottom of recovery cylinders) can enter the ECO-2020 and become lodged in the valve seats causing damage and resulting in leaks. We recommend using Bacharach in-line filter P/N 2020-0001 for optimum recovery speed.



IMPORTANT: Make all hose connections as shown in Figure 7. Ensure that all connections are correct and secure.



IMPORTANT: Ensure all valves are CLOSED and ensure the filter screen is clean.

Step	Description (Recovery Mode – Liquid or Vapor)
1	Switch off power to the refrigerant equipment and connect power to the ECO-2020.
2	Turn the control knob to the START position.
3	Open the vapor and/or liquid valves of the refrigerant equipment.
4	Open the vapor valve of the recovery tank.
5	Turn on the power switch.
6	Press the start button.
7	Slowly turn the control knob to the RECOVER position.
8	When recovery is finished, the low pressure switch will activate, the motor will shut off, and the green “Complete” LED will come on.
9	Purge the unit (refer to section 2.6 on page 16).



IMPORTANT: If compressor knocking occurs when the control knob is in the RECOVER position, slowly turn the control knob toward the START position until the knocking stops.

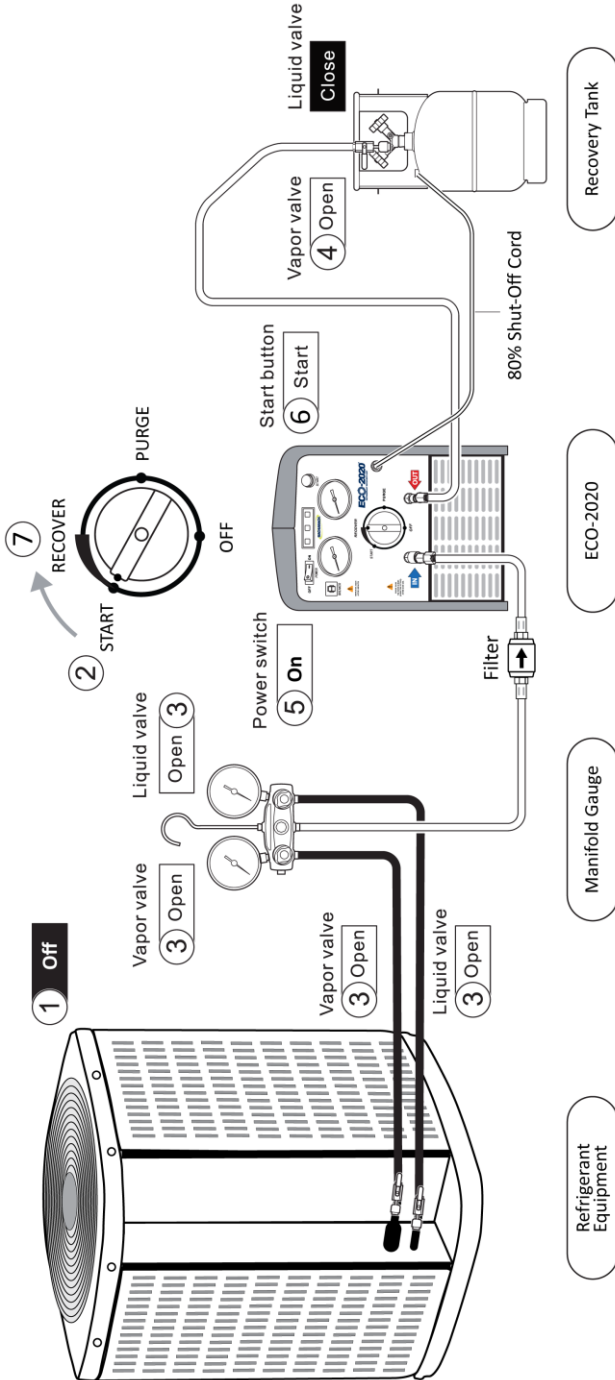


Figure 7. Recovery Configuration

2.6. Purge Mode



IMPORTANT: The unit must be purged after each use. Liquid refrigerant remaining in the unit may expand, damage the components, and pollute the environment.

Step	Description (Purge Mode)
1	Note that the unit stops automatically after recovery is complete.
2	Turn the control knob to the PURGE position. The motor will automatically restart. When purging is finished, the low pressure switch will activate, the motor will shut off, and the green "Complete" LED will come on.
3	Turn off the power switch.
4	Close the valves of the hoses, recovery tank, etc.
5	Disconnect all hoses.
6	Turn the control knob to the OFF position.

2.7. Liquid Push/Pull Recovery Mode

If *any* of the following conditions are true in the system being evacuated, the liquid push-pull method may not be practical and a normal liquid/vapor recovery should be performed.

- The equipment contains less than 20 lbs (9.1 kg) of refrigerant.
- The equipment is a heat pump or other system with refrigerant flow that would prevent you from isolating the liquid.
- Equipment has an accumulator between the service ports used in the liquid recovery process.
- Liquid refrigerant migration has occurred and the location of the liquid is unknown.
- The refrigerant tubing design on the equipment does not allow for a solid column of liquid refrigerant to be formed.



IMPORTANT: If the 80% shut-off cord is **not** used, then use a scale (P/N 2010-0000) to monitor the refrigerant level in the recovery cylinder in order to prevent overfilling.



IMPORTANT: Ensure all valves are CLOSED.



IMPORTANT: Make all hose connections as shown in Figure 8. Ensure that all connections are correct and secure.

Step	Description (Liquid Push/Pull Recovery Mode)
1	Switch off power to the refrigerant equipment and connect power to the ECO-2020.
2	Turn the control knob to the START position.
3	Open the vapor and liquid valves of the refrigerant equipment.
4	Open the vapor and liquid valves of the recovery tank.
5	Turn on the power switch.
6	Press the start button.
7	Slowly turn the control knob to the RECOVER position.
8	Turn the control knob to the PURGE position. (Refer to Purge Mode in section 2.6 on page 16.)
9	Turn off the power switch after purging is complete.
10	Close the vapor and liquid valves of the refrigerant equipment.
11	Close the vapor and liquid valves of the recovery tank.
12	Turn the control knob to the OFF position.
13	Connect the hoses again according to the Recovery Mode section 2.5 on page 13 and recover the vapor from the refrigerant equipment.



IMPORTANT: A scale or liquid-sight glass can be used to determine when all the liquid is recovered. The ECO-2020 will not pull a vacuum using the liquid push-pull recovery operation. To finish the recovery operation, you must perform vapor recovery operations as described on page 13.



IMPORTANT: When the scale reading remains unchanged or changes very slowly, the liquid recovery portion of push/pull mode is finished, and you are ready to perform the vapor recovery portion.



WARNING: If the scale shows that the refrigerant tank reaches 80% capacity, turn off power and close the valves of the tank. Replace the full tank with an empty tank (under vacuum) and resume where you left off.

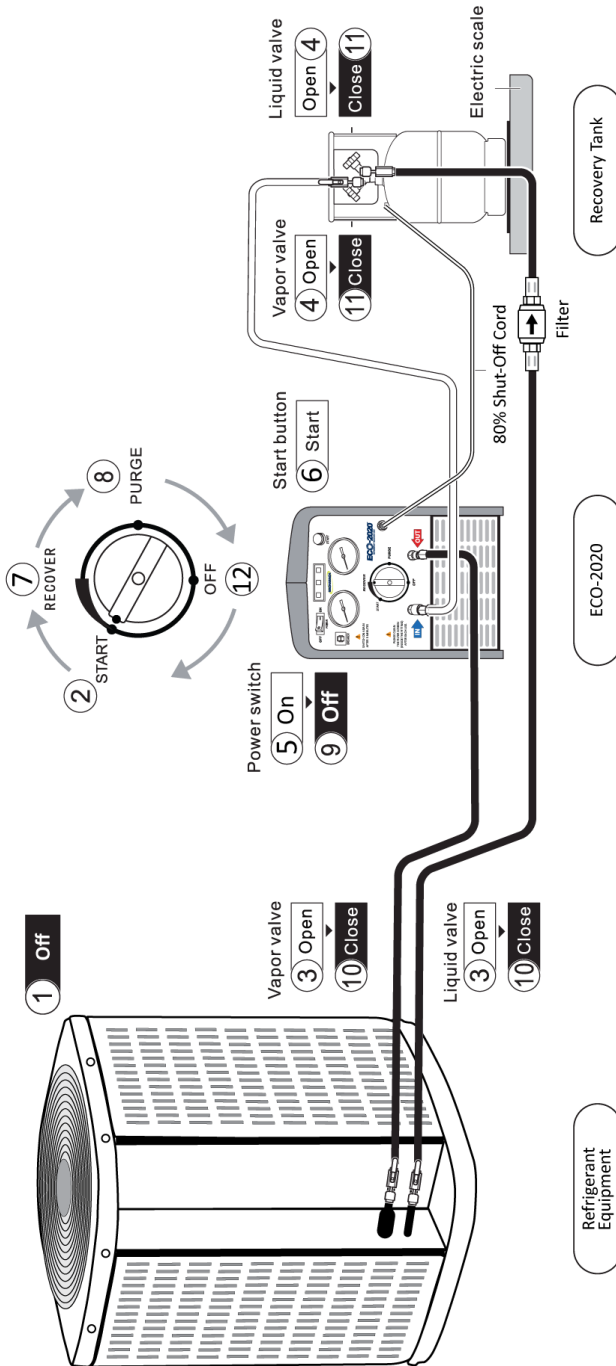


Figure 8. Liquid Push/Pull Configuration

2.8. Recovery Tips

- Use the shortest hoses possible. Long hoses increase the recovery time. Remove all restrictions in the hoses. Hoses with ball valves at the ends are better than hoses that are self-sealing.
- When possible, temporarily remove Shrader core valves (if used) from the service ports prior to the recovery process, as these valves significantly restrict recovery flow and extend recovery time. Be sure to use a Shrader core remover/installer tool (designed for use in pressurized systems) to prevent the illegal loss of refrigerant into the atmosphere.
- Always identify the refrigerant you are recovering. This will minimize cross contamination and help you plan for the amount of refrigerant you will be recovering.
- Pump liquid out of the system first, and then recover the remaining vapors. This will significantly speed up recovery rates.
- With large amounts of refrigerant, use the liquid push-pull recovery method. This method is faster than recovering liquid directly. Refer to the liquid push-pull instructions.
- When possible, recover from both the high and low side service ports on the refrigeration system. This will speed up the recovery rate.
- Use an in-line filter (P/N 2020-0001) to prevent contaminants from entering the ECO-2020.
- The use of connection hoses with ball valves can help to minimize refrigerant loss.



NOTE: Using a manifold gauge set is not required.

2.9. Resuming an Interrupted Recovery

Step	Description (Resuming an Interrupted Recovery)
1	Resolve the issue that caused the interruption (e.g., breaker, high pressure switch, loss of power, etc.).
2	Turn the control knob to the START position.
3	Press the START button.
4	Slowly rotate the control knob to the RECOVERY position to resume recovery.

Section 3. Maintenance and Troubleshooting

3.1. Troubleshooting

Fault	Possible Cause(s)	Solution(s)
Compressor won't start	High pressure shut off (Red alarm light)	Lower pressure below 435 psi (30 bars)
	Motor failure or other component damage.	Replace the components.
		Factory service is required.
	80% shut-off cable is connected to unit, but not to recovery cylinder	Connect to recovery cylinder or remove from unit.
Low recovery speed	Recovery tank pressure is too high.	Cooling down the tank can help to reduce the pressure.
	The piston ring of the compressor is damaged.	Replace components.
		Factory service is required.
	Dirty in-line filter or inlet filter screen	Clean/replace inlet filter screen. Replace in-line filter.
Unit doesn't pull a vacuum	Loose hoses.	Tighten the hose connections.
	Leakage in the unit.	Replace components.
		Factory service is required.
Compressor starts, but stops within a few moments	High pressure shut off due to wrong operation, such as outlet valve not open, or recovery tank valve not open.	Carefully review the operation manual and follow the instructions while operating.
	Motor thermal protector shuts off.	Compressor will restart automatically.
	Circuit breaker shuts off.	Wait 5 minutes, reset the circuit breaker, then restart.
	80% shut-off protection (red alarm light on).	Replace full recovery tank with an empty recovery tank.
	Recovery is complete. Unit is under low pressure protection (green alarm light on).	Refer to the purge section.

3.2. Exploded Drawing Showing Spare Parts

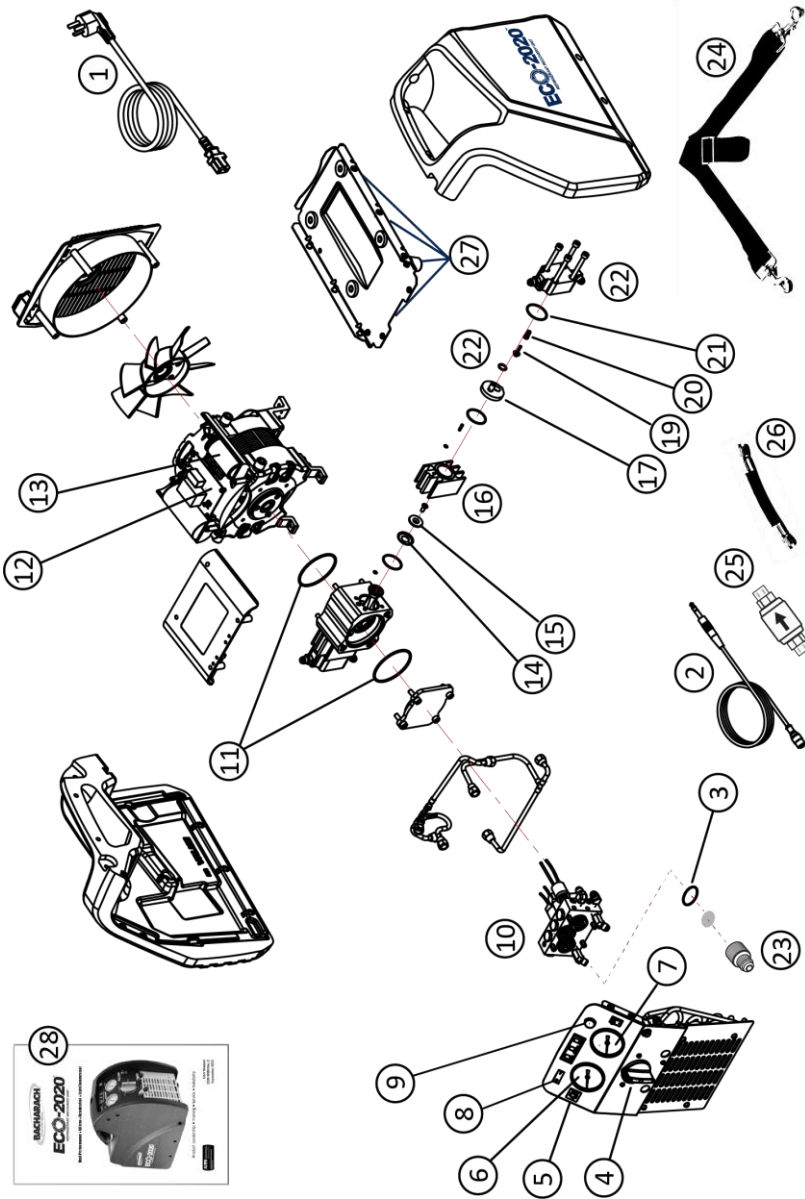


Figure 9. Parts Diagram

Part Number	Dwg Item #	Spare Part Description
0304-3461	1	Power supply cord, CEE 7/7
0304-3462		Power supply cord, SANS 164-1
0304-3467		Power supply cord, AS 3112
0304-3468		Power supply cord, NEMA 5-15
3015-5636		Power supply cord, BS 1363
2020-0001	25	In-line filter
2020-0002	26	Hose (4" long, 3/16" I.D.)
2020-0004	2	80% Shut-off cord
2020-0005	24	Shoulder strap
2020-0007	3	Inlet fitting O-ring
2020-0008	23	Inlet fitting
2020-0010	4	Control knob
2020-0011	5	Circuit breaker; 110 V
2020-0037		Circuit breaker; 220 V
2020-0012	6	Gauge (input)
2020-0013	7	Gauge (output)
2020-0014	9	Switch (push-button, start)
2020-0015	10	Manifold assembly
2020-0016	11	O-ring, 67 x 2.65 mm (I.D. x wall thickness)
2020-0018	12	Circuit board (main)
2020-0019	13	Capacitor (starting); 110 V
2020-0022	14	Piston ring
2020-0023	15	Piston ring retaining plate
2020-0025	16	Cylinder
2020-0027	17	Valve plate assembly
2020-0028	18	O-ring, 10.8 x 1.8 mm (I.D. x wall thickness)
2020-0029	19	Exhaust valve
2020-0030	20	Exhaust valve spring
2020-0031	21	O-ring, 32.5 x 1.8 mm (I.D. x wall thickness)
2020-0032	22	Cylinder cover assembly
2020-0034	27	Set of rubber feet with screws
2020-0035	8	Switch (rocker, power); 110 V

Part Number	Dwg Item #	Spare Part Description
2020-9000	28	Instruction manual

3.3. Accessories

Part Number	Accessory Description
2010-0000	Charging scale

3.4. Wiring Diagram

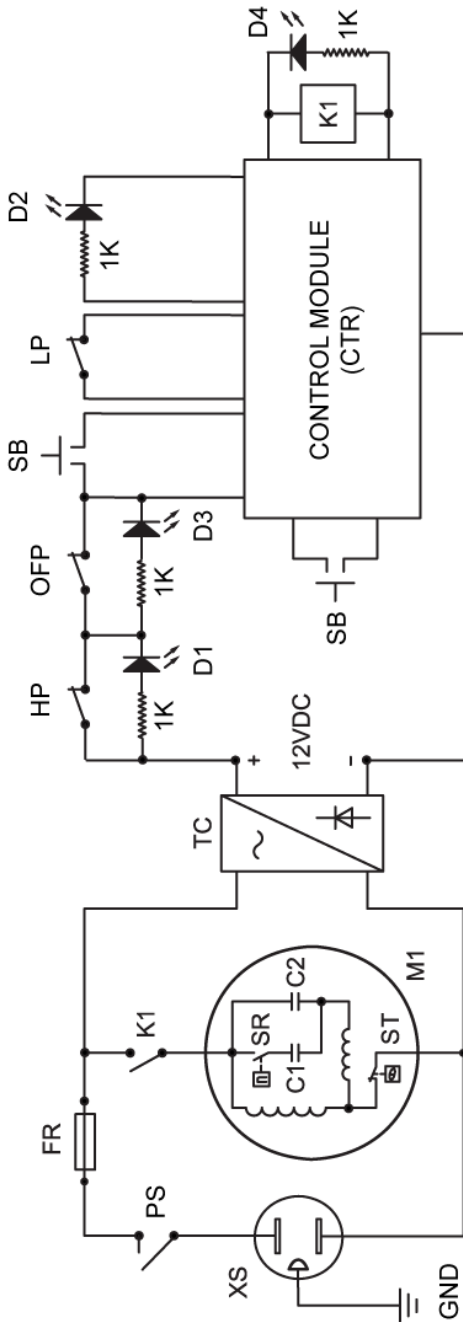


Figure 10. Wiring Diagram

Code	Component	Code	Components
XS	Power Outlet	LP	Low Pressure Switch
PS	Power Switch	OFF	80% Shut-Off Switch
FR	Overload Protection Device	D1	Red LED (High Pressure)
M1	Compressor Motor	D3	Red LED (Shut-Off)
SR	Centrifugal Switch	D2	Green LED
C1	Start Capacitor	D4	Power LED
C2	Running Capacitor	SB	Start Button
ST	Motor Thermal Protectors	CTR	Control Module
TC	Electronic Transformer	K1	Relay
HP	High Pressure Switch		



Bacharach, Inc.

621 Hunt Valley Circle

New Kensington, PA 15068, USA

Phone: 724-334-5000 • Toll Free: 1-800-736-4666 • Fax: 724-334-5001

www.mybacharach.com • help@mybacharach.com

