

March 2002

User's Instructions

060108/HB-04

The CEL-4627 Instrument Tripod has been specifically selected for use with the CEL range of acoustic instrumentation. It will locate equipment securely at the heights required by various measurement standards, including 1 metre outside a building.

It is suitable for use with the complete range of CEL Sound Level Meters that have tripod mounting bushes, also with CEL-594 and CEL-6737 Outdoor Microphone Enclosures, and CEL Preamplifiers.

A complete CEL-4627 Tripod consists of the following items.

CEL-4627	Tripod,
CEL-4621	Preamplifier Adaptor,
CEL-3058	Carrying Case,
060108/HB	Instructions.

When your tripod is delivered, check that all items on the schedule have been supplied.

The CEL-6690 Extension Pole Set (3 x 70 cm sections) is available for use with the heavier CEL-525/530 series of preamplifiers, with or without the CEL-594 Outdoor Protection System. Similarly, the CEL-6737 Outdoor Microphone Protection System can be used with the tripod (refer to CEL-594/CEL6737 User's Instructions). The CEL-6690, CEL-594, and CEL-6737 must be ordered separately.

The tripod legs and centre column are locked and released by the single large handle on the knuckle joint. To set the tripod up, grasp the centre column with one hand and turn the handle counter-clockwise to release the knuckle joint.

Release the knuckle joint only enough to free the moving parts without losing some degree of friction on the joints. This will enable you to keep control of the legs and centre column, otherwise the legs will be more difficult to control.

Due to the large degree of freedom of the legs and centre column it is important to hold the centre column before releasing the knuckle joint. As with most unique designs, a little practise will develop your own techniques for using this equipment.

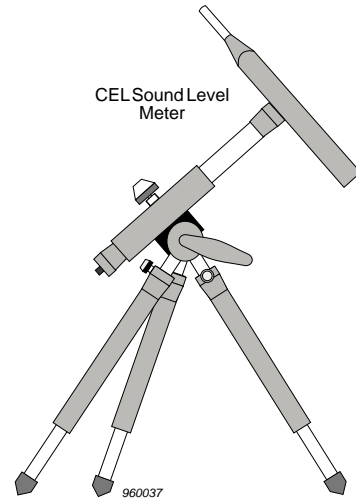
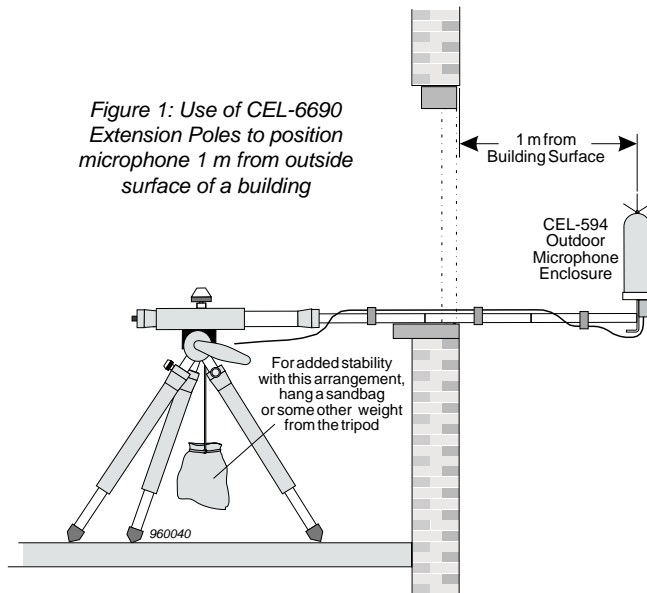


Figure 1: Use of CEL-6690 Extension Poles to position microphone 1 m from outside surface of a building



The centre column of the tripod is fitted with both 1/4" and 3/8" BSW threaded studs and by rotating the column around the joint either stud can be used.

The heading figure shows a sound level meter attached directly to the 1/4" stud. However when attaching sound level meters with pressed aluminium cases, care must be taken not to overtighten them.

Figure 1 shows an arrangement attached to the 1/4" stud which uses the three sections of the CEL-6690 Extension Poles Set to position a microphone 1 m from the outside wall of a building. Similar arrangements for light weight microphones and preamplifiers are shown in Figure 2. These use the CEL-4621 Preamplifier Adaptor (supplied) attached to the 3/8" stud to allow measurements to be made in a variety of positions. The preamplifier clamp can be rotated allowing the microphone to be pointed in different directions.

The similar outdoor Microphone Enclosures CEL-594 and CEL-6737 are shown in Figure 3. The centre column of the tripod should be rotated so that it is vertical and the pipe sections of CEL-6690 attached to the 1/4" stud. It is important to ensure full weather protection by keeping the centre columns vertical. When using high vertical extensions such as these on the tripod, it is also important to ensure that the legs are well extended to give the tripod maximum stability and that all locks are secure. If strong winds are anticipated, the tripod should be secured to the ground by tie lines to prevent damage to the instrumentation.

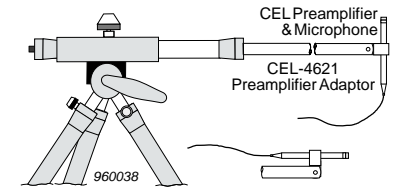


Figure 2: Use of CEL-4621 with light weight preamplifiers and microphones

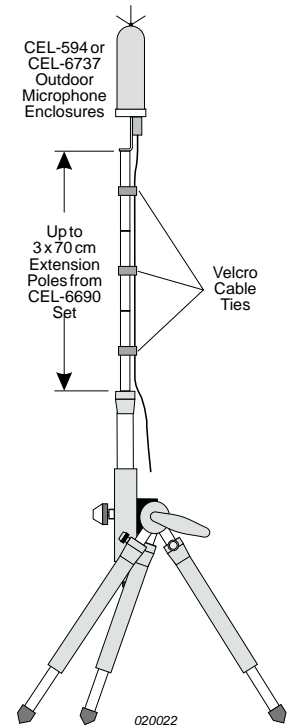


Figure 3: Arrangements with extendable height that can also give short term weather protection for outdoor use

CASELLA CEL

Regent House, Wolseley Road, Kempston, Bedford, MK42 7JY, U.K.
Telephone: +44 (0) 1234 844 100 Fax: +44 (0) 1234 841 490 e-mail: info@casellagroup.com
Web: www.casellagroup.com

Tech Park, 17 Old Nashua Road, Box 15, Amherst, NH 03031, U.S.A.
Toll Free: +1 800 366 2966 Office Phone: +1 603 672 0031 Fax: +1 603 672 8053
e-mail: info@casellausa.com

CEL-4627 INSTRUMENT TRIPOD

CASELLA
CEL

March 2002

User's Instructions

060108/HB-04

The CEL-4627 Instrument Tripod has been specifically selected for use with the CEL range of acoustic instrumentation. It will locate equipment securely at the heights required by various measurement standards, including 1 metre outside a building.

It is suitable for use with the complete range of CEL Sound Level Meters that have tripod mounting bushes, also with CEL-594 and CEL-6737 Outdoor Microphone Enclosures, and CEL Preamplifiers.

A complete CEL-4627 Tripod consists of the following items.

CEL-4627	Tripod,
CEL-4621	Preamplifier Adaptor,
CEL-3058	Carrying Case,
060108/HB	Instructions.

When your tripod is delivered, check that all items on the schedule have been supplied.

The CEL-6690 Extension Pole Set (3 x 70 cm sections) is available for use with the heavier CEL-525/530 series of preamplifiers, with or without the CEL-594 Outdoor Protection System. Similarly, the CEL-6737 Outdoor Microphone Protection System can be used with the tripod (refer to CEL-594/CEL6737 User's Instructions). The CEL-6690, CEL-594, and CEL-6737 must be ordered separately.

The tripod legs and centre column are locked and released by the single large handle on the knuckle joint. To set the tripod up, grasp the centre column with one hand and turn the handle counter-clockwise to release the knuckle joint.

Release the knuckle joint only enough to free the moving parts without losing some degree of friction on the joints. This will enable you to keep control of the legs and centre column, otherwise the legs will be more difficult to control.

Due to the large degree of freedom of the legs and centre column it is important to hold the centre column before releasing the knuckle joint. As with most unique designs, a little practise will develop your own techniques for using this equipment.

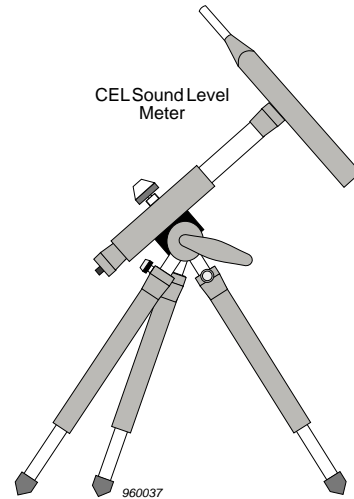
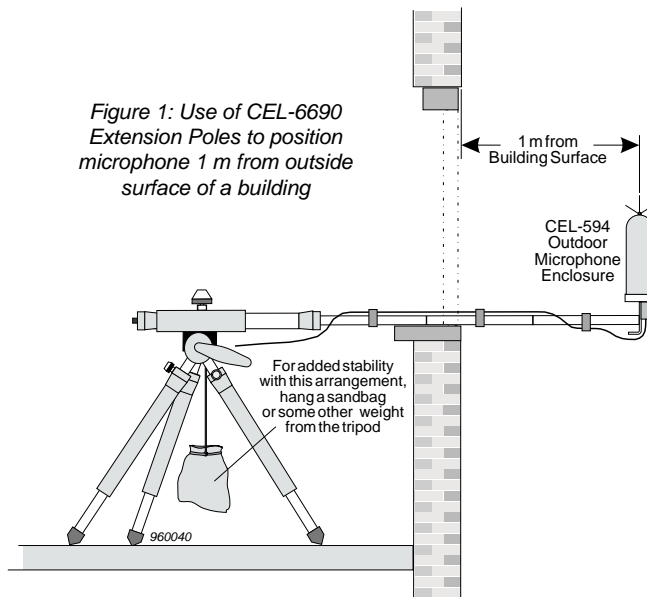


Figure 1: Use of CEL-6690 Extension Poles to position microphone 1 m from outside surface of a building



The centre column of the tripod is fitted with both 1/4" and 3/8" BSW threaded studs and by rotating the column around the joint either stud can be used.

The heading figure shows a sound level meter attached directly to the 1/4" stud. However when attaching sound level meters with pressed aluminium cases, care must be taken not to overtighten them.

Figure 1 shows an arrangement attached to the 1/4" stud which uses the three sections of the CEL-6690 Extension Poles Set to position a microphone 1 m from the outside wall of a building. Similar arrangements for light weight microphones and preamplifiers are shown in Figure 2. These use the CEL-4621 Preamplifier Adaptor (supplied) attached to the 3/8" stud to allow measurements to be made in a variety of positions. The preamplifier clamp can be rotated allowing the microphone to be pointed in different directions.

The similar outdoor Microphone Enclosures CEL-594 and CEL-6737 are shown in Figure 3. The centre column of the tripod should be rotated so that it is vertical and the pipe sections of CEL-6690 attached to the 1/4" stud. It is important to ensure full weather protection by keeping the centre columns vertical. When using high vertical extensions such as these on the tripod, it is also important to ensure that the legs are well extended to give the tripod maximum stability and that all locks are secure. If strong winds are anticipated, the tripod should be secured to the ground by tie lines to prevent damage to the instrumentation.

Figure 3: Arrangements with extendable height that can also give short term weather protection for outdoor use

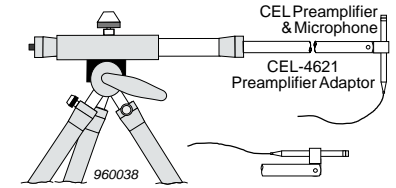
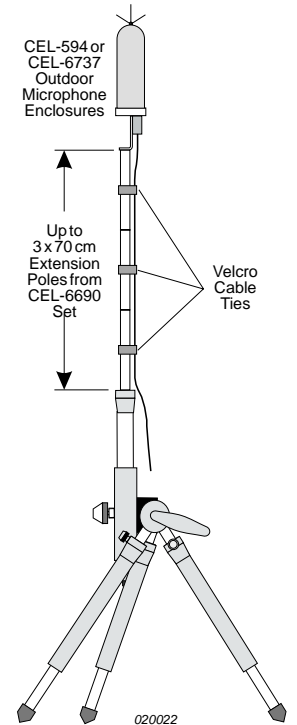


Figure 2: Use of CEL-4621 with light weight preamplifiers and microphones



CASELLA CEL

Regent House, Wolseley Road, Kempston, Bedford, MK42 7JY, U.K.
Telephone: +44 (0) 1234 844 100 Fax: +44 (0) 1234 841 490 e-mail: info@casellagroup.com
Web: www.casellagroup.com

Tech Park, 17 Old Nashua Road, Box 15, Amherst, NH 03031, U.S.A.
Toll Free: +1 800 366 2966 Office Phone: +1 603 672 0031 Fax: +1 603 672 8053
e-mail: info@casellausa.com