



Ambassador™ Series Brass Telescopes

INSTRUCTION MANUAL

- *Ambassador 50AZ # 21033*
- *Ambassador 80AZ # 21034*

Table of Contents

INTRODUCTION.....	3
ASSEMBLY	6
Setting up the Tripod.....	6
Attaching the Telescope and Mount to the Tripod.....	7
Moving the Telescope Manually.....	8
Installing and Aligning the Finderscope – 80mm model.....	8
Installing the Diagonal & Eyepiece – 80mm model.....	9
TELESCOPE BASICS	10
Focusing.....	10
Calculating Magnification.....	11
General Observing Hints.....	11
CELESTIAL OBSERVING	12
Observing the Moon.....	12
Observing the Planets.....	12
TELESCOPE MAINTENANCE	13
Care and Cleaning of the Mechanical Parts.....	13
Care and Cleaning of the Optics	13
ASTROMASTER SPECIFICATIONS	13



Congratulations on your purchase of an Ambassador telescope. The Ambassador Series is made of the highest quality materials to ensure stability and durability. All this adds up to a telescope that gives you a lifetime of pleasure with a minimal amount of maintenance.

These telescopes were designed for the discriminating buyer. The brass finish of the Ambassador series, along with the attractive mahogany wood used for the tripod, were designed to be a decorative piece in the home, office, or anywhere to show off its vintage style. In addition, your telescope is ideal for terrestrial observing.

Ambassador telescopes carry a two year limited warranty. For details see our website at www.celestron.com

Some of the standard features of the Ambassador include:

- Fully coated glass optical elements for clear, crisp images.
- Brass optical tube with brass fittings. Note that minor surface imperfections are normal with this metal.
- Smooth functioning, rigid altazimuth mount with easy pointing to locate objects.
- Standard accessories supplied for terrestrial observing.
- Can be used for casual astronomical observing.

Your telescope is designed to give you years of fun and rewarding observations. However, there are a few things to consider before using your telescope that will ensure your safety and protect your equipment.

Warning



- **Never look directly at the sun with the naked eye or with a telescope (unless you have the proper solar filter). Permanent and irreversible eye damage may result.**
- **Never use your telescope to project an image of the sun onto any surface. Internal heat build-up can damage the telescope and any accessories attached to it.**
- **Never use an eyepiece solar filter or a Herschel wedge. Internal heat build-up inside the telescope can cause these devices to crack or break, allowing unfiltered sunlight to pass through to the eye.**
- **Do not leave the telescope unsupervised, either when children are present or adults who may not be familiar with the correct operating procedures of your telescope.**

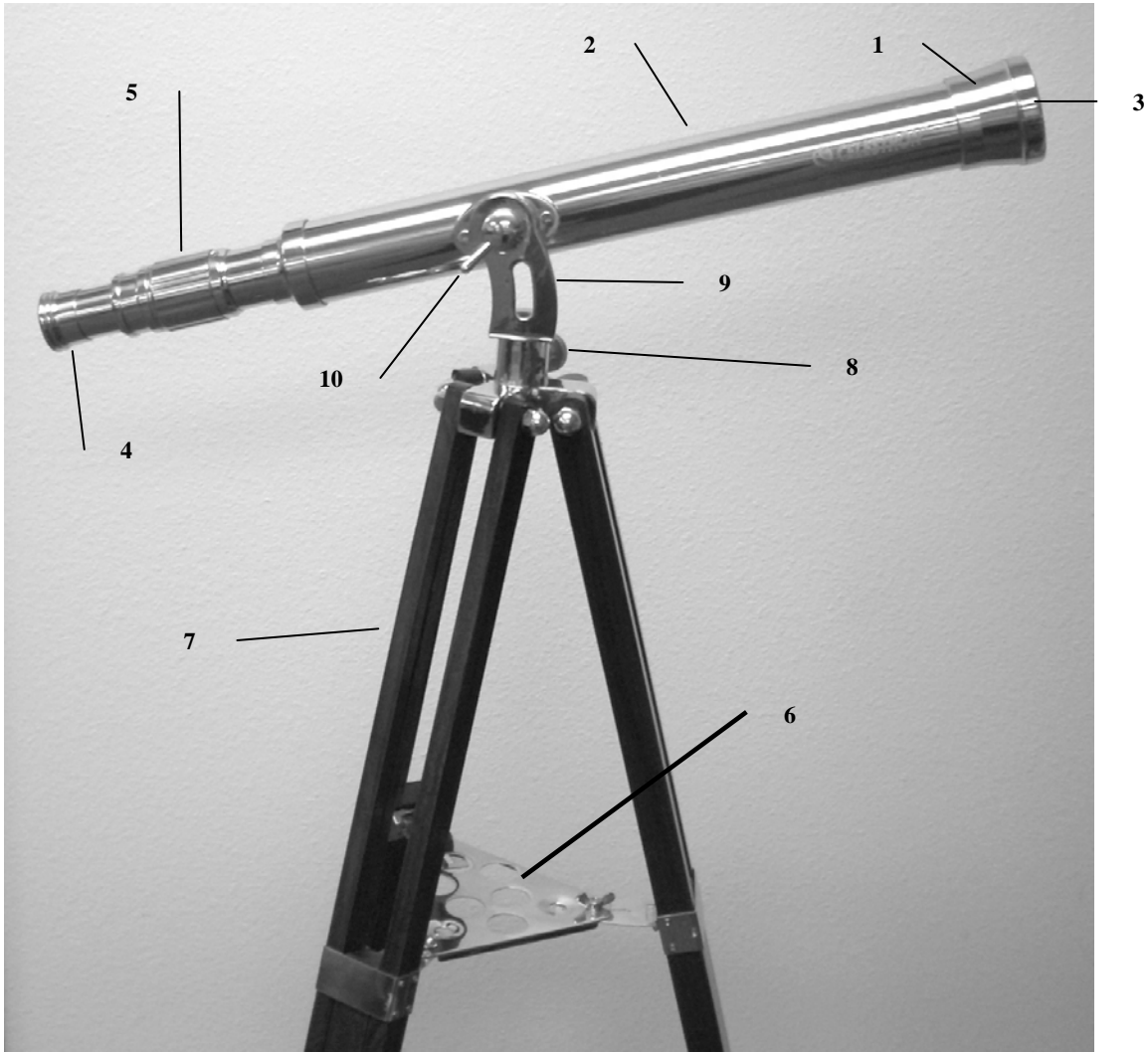


Figure 1-1 Ambassador 50AZ Refractor

1.	Objective Lens	6.	Tripod Accessory Tray/Brace
2.	Telescope Optical Tube	7.	Tripod (3 legs)
3.	Lens Cap	8.	Azimuth Locking Knob
4.	Eyepiece	9.	Alt-Azimuth Mount
5.	Focus Ring	10.	Altitude Lock

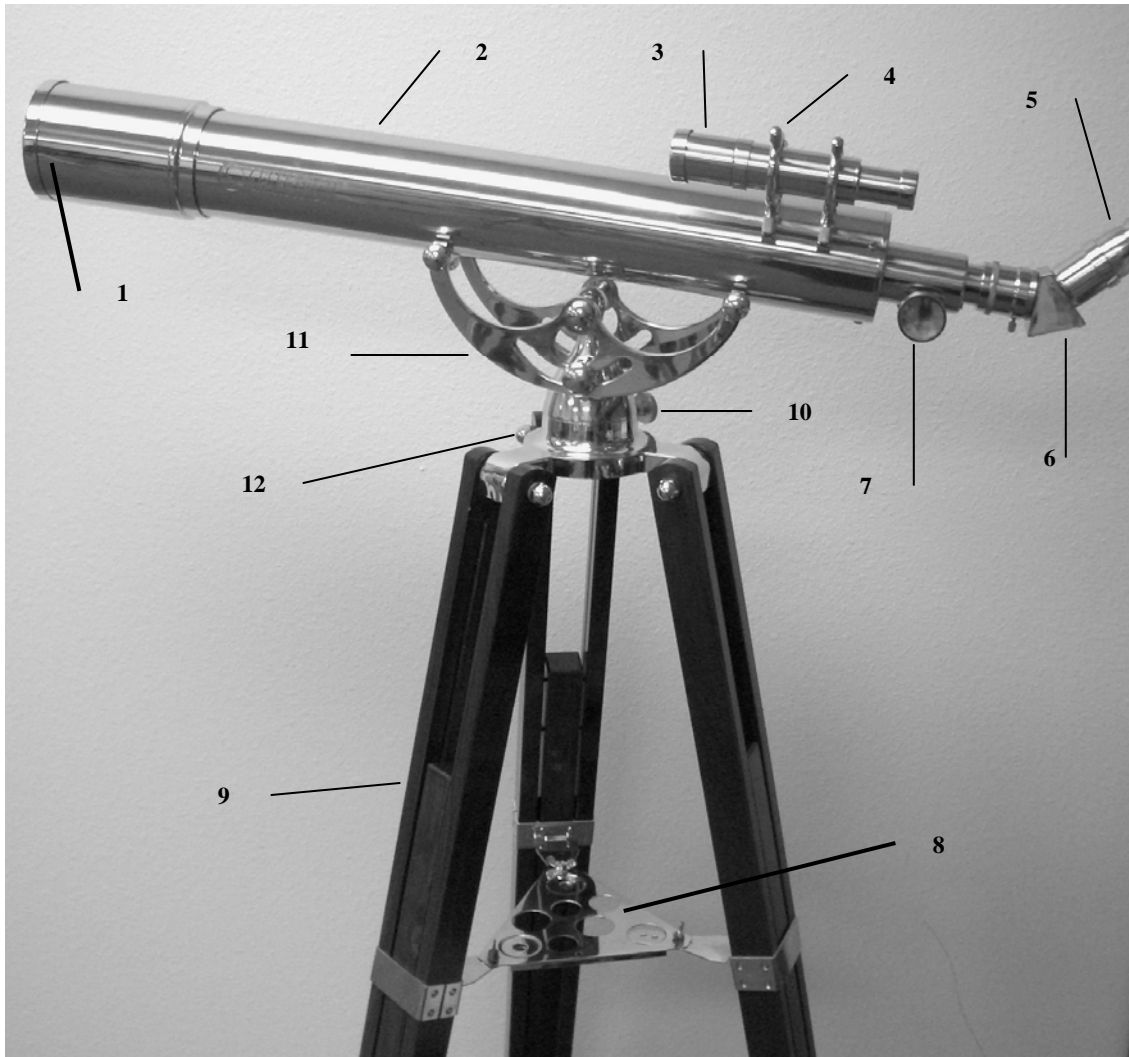


Figure 1-2 Ambassador 80AZ Refractor

1.	Objective Lens	7.	Focus Knob
2.	Telescope Optical Tube	8.	Tripod Accessory Tray/Brace
3.	Finderscope	9.	Tripod (3 legs)
4.	Finderscope Bracket	10.	Azimuth Locking Knob
5.	Eyepiece	11.	Alt-Azimuth Mount
6.	Erect Image Diagonal	12.	Altitude Lock



This section covers the assembly instructions for your Ambassador telescope. Since some parts are heavy (especially on the 80mm model), and you need to be careful not to scratch the brass finish, it is suggested that you have two people work together to assemble the telescope. The various parts for the telescope are wrapped with protective materials and please remove these carefully.

Each Ambassador comes in one box. The pieces in the box for all models are – optical tube with altazimuth mount attached, three tripod legs, tripod accessory tray/brace, instruction manual.

In addition, the 80mm model has an eyepiece, erect image diagonal, erect image finderscope, and finderscope brackets with mounting hardware.

You will need the following tools – small Phillips head screwdriver and two small crescent wrenches or open- end/box-end wrenches of 16mm (5/8”).

Setting up the Tripod

1. Remove the three tripod legs - Figure 2-1 from the carton. The 50mm telescope legs are similar to the 80mm model but are slightly shorter in length and width.
2. Loosen (turn counterclockwise) the tripod leg lock knob near the bottom of the tripod – Figure 2-2, and then pull the center wood piece out about 10” (254mm) which will make the assembly easier. Then tighten the tripod leg lock knob. Do the same for the other two tripod legs. You can see what the top of the tripod leg looks like in Figure 2-3.
3. Next, we will install the tripod accessory tray/brace to the tripod leg hinges -- Figure 2-4 shows an image of the tripod leg hinge. Note that the hinge for the 80mm model (shown) has five holes as shown but the 50mm has a long slot to use. The hinge on all three legs will face inward.
4. The accessory tray is shown in Figure 2-5 along with three wing nuts and three screws with washers. The image shows the screws and washers removed from the wing nuts (they come with the screws and washers attached so they don't get lost but they need to be removed for assembly).
5. The accessory tray needs to be face up as shown and the wing nuts will be on top with the screw (with washer attached) threaded into the wing nuts from the bottom of the accessory tray. You should insert the wing nuts and screws/washers initially into the 2nd hole on the accessory tray (on the 80mm model) from the tripod leg. On the 50mm model attach the screws/washers about mid way in the slot on the tripod hinge. You can relocate the position of the mounting of the accessory tray to the hinge at a later time if you desire.



Figure 2-1

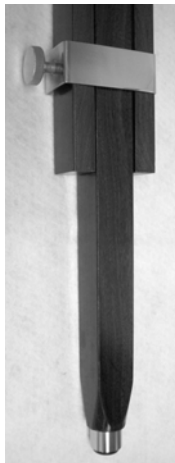


Figure 2-2



Figure 2-3



Figure 2-4

6. Figure 2-6 shows one tripod leg hinge ready to attach to the accessory tray. You can hand tighten the screw with washer initially but once all three leg hinges are attached to the tray, then tighten with a Phillips head screwdriver for the screw while holding the wing nuts with your other hand.
7. Once all the hinges are attached and tightened to the accessory tray, it will look like Figure 2-7.

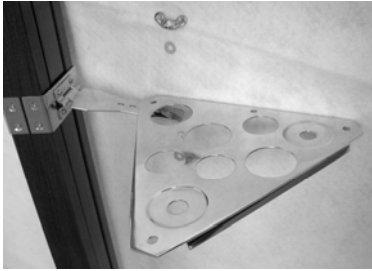


Figure 2-5



Figure 2-6



Figure 2-7

8. You can extend the tripod legs to the height you desire. At the lowest level the height of the 50mm model is about 35" (89cm) and extends to about 60" (152cm). For the 80mm model, the lowest level height is about 43" (109cm) and extends to about 72" (183cm). You unlock the tripod leg lock knobs at the bottom of each leg (Figure 2-2) by turning them counterclockwise and pull the legs out to the height you want and then lock the knobs securely.
9. The tripod will be the most rigid and stable at lower heights but you should adjust the height for comfortable usage.
10. On the 80mm model you can use the holes in the accessory tray for placing additional (optional) 1.25" eyepieces.

Attaching the Telescope and Mount to the Tripod

The telescope optical tube comes attached to the altazimuth mount. This assembly will now be attached to the tripod which was just assembled. This is where two people come in real handy as the tripod legs are agile and can move about easily when lining up the bolts that fit between the top of the tripod legs and through the lower part of the mount. Images are shown using the 80mm model but the 50mm is similar unless noted.



Figure 2-8



Figure 2-9



Figure 2-10



Figure 2-11

1. Lay the tripod legs on the floor.
2. Lay the optical tube and mount between two of the tripod legs as shown in Figure 2-8.
3. The holes of the mount (near the bottom –Figure 2-9) will fit between the legs of the tripod and attached with the bolt assembly of the tripod legs – see Figure 2-10.
4. Remove the bolt and washers from each leg assembly. Note that the 50mm does not have washers on the inside of the tripod legs.
5. Put one ear of the mount between a tripod leg. Now, insert one of the bolts with washer through one side of the leg and through the ear of the mount and out the other side of the leg. Make sure all the washers are placed as they were originally on the tripod legs. Now tighten the bolts with wrenches.
6. When all tripod leg bolt assemblies are attached to the mount, it will appear as in Figure 2-11.

Moving the Telescope Manually

The Ambassador mount is easy to move wherever you want to point it.

The up and down (altitude) is controlled by the altitude lock (Figure 2-12). Loosen the altitude lock by turning it counterclockwise and when at the desired location tighten the lock by turning it clockwise.

Note: Before tightening the altitude lock all the way on the 80mm, the target object you are seeking should be located in the finderscope.



Figure 2-12



Figure 2-13

The side-to-side (azimuth) motion is controlled by the azimuth locking knob (Figure 2-13). Loosen the azimuth locking knob by turning it counterclockwise and when at the desired location tighten the lock.

When both knobs are loose you can find your objects easily and then lock the controls. The images are shown for the 50mm and the 80mm are similar.

Note: If the up/down (altitude) motion appears too stiff or too loose, you can adjust the tension. To do this, you can tighten or loosen the round knobs (one on each side of the mount directly across from each other). Make sure the locks in both axes are tight to begin. Hold both round knobs at the same time and turn them slightly to loosen or tighten them. Then release the altitude lock and check the tension. Keep adjusting the knobs until the tension is satisfactory to you. The round knob is located directly above the altitude lock as seen in Figure 2-12a.



Figure 2-12a

Installing and Aligning the Finderscope – 80mm model

A finderscope is a very small telescope mounted on the main telescope to make it easier to locate objects.

To install the finderscope:

1. Figure 2-14 shows the finderscope (at top) and the brackets with mounting screws.
2. Mount the brackets in the holes on the optical tube (Figure 2-15) with the thumbscrews and tighten. The mounted brackets are shown in Figure 2-16.
3. Remove the lens caps from both ends of the Finderscope.
4. Put the finderscope inside the mounting brackets with the larger diameter lens (objective end) facing towards the front (objective lens) of the optical tube. You will need to back up the screws in the brackets so the finderscope will fit inside them.
5. The Finderscope should be fit into the brackets where the thumbscrews can be tightened inside the small grooves in the finderscope. Then, hand tighten the thumbscrews.



Figure 2-14



Figure 2-15



Figure 2-16



Figure 2-17

To align the finderscope with the main telescope:

1. Remove the front lens cap of the telescope and both caps from the finderscope. Locate a distant daytime object (at least ¼ mile/0.4km away) and center it in the main telescope.
2. Look through the finderscope (the eyepiece end of the finderscope which has the smaller diameter lens) and take notice of the position of the same object.
3. Without moving the main telescope, turn the thumbscrews of the finderscope brackets until the crosshairs of the finderscope are centered on the object chosen with the main telescope. This may take a number of attempts to get it properly centered as you loosen one and tighten another of the thumbscrews of each bracket.
4. If the image through the finderscope is not sharp (out of focus), you will need to adjust the finderscope so you can obtain a sharp focus through it. Locate the ring on the finderscope (it is between the objective lens and the finderscope bracket) and turn it counterclockwise to loosen it a few turns. Then turn the front objective piece in or out until a sharp focus is achieved. Lastly, tighten the ring.

Installing the Diagonal & Eyepiece – 80mm model

The diagonal is a prism that diverts the light at a 45° angle to the light path of the telescope. This allows you to observe in a position that is more comfortable than if you had to look straight through. This diagonal is an erect image model that corrects the image to be right side up and oriented correctly left-to-right which is much easier to use for terrestrial observing. Also, the diagonal can be rotated to any position which is most favorable for you. To install the diagonal and eyepiece:

1. Remove the cap at the rear of the telescope by unthreading it counterclockwise – Figure 2-18.
2. Insert the small barrel of the diagonal into the rear opening of the telescope. Make sure the thumbscrew on the telescope does not protrude into the opening before installation. Once the diagonal is inserted, tighten the thumbscrew to hold it in place – Figure 2-19.
3. Put the barrel of the eyepiece into the diagonal and tighten the thumbscrew of the diagonal to hold the eyepiece in place and tighten the thumbscrew – Figure 2-20. Again, when doing this make sure the thumbscrew is not protruding into the diagonal before inserting the eyepiece.
4. The standard eyepiece can be changed to other optional eyepieces (for lower or higher power) by reversing the procedure in step 3 above.

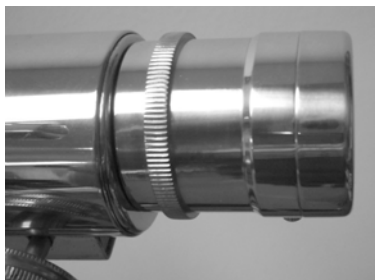


Figure 2-18



Figure 2-19



Figure 2-20

CELESTRON **Telescope Basics**

A telescope is an instrument that collects and focuses light. The nature of the optical design determines how the light is focused. The refractor telescope uses lenses in its optical design.

Developed in the early 1600s, the refractor is the oldest telescope design. It derives its name from the method it uses to focus incoming light rays. The refractor uses a lens to bend or refract incoming light rays, hence the name (see Figure 3-1). Early designs used single element lenses. However, the single lens acts like a prism and breaks light down into the colors of the rainbow, a phenomenon known as chromatic aberration. To get around this problem, a two-element lens, known as an achromat, was introduced. Each element has a different index of refraction allowing two different wavelengths of light to be focused at the same point. Most two-element lenses, usually made of crown and flint glasses, are corrected for red and green light. Blue light may still be focused at a slightly different point.

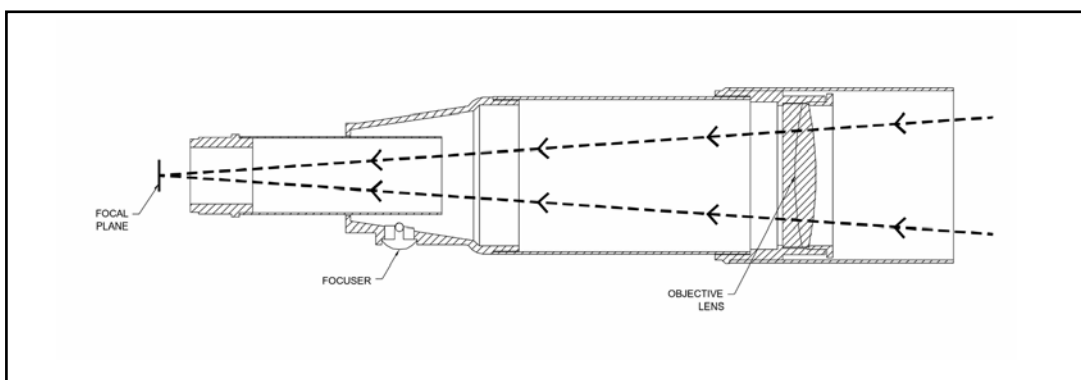


Figure 3-1

A cutaway view of the light path of the Refractor optical design

Focusing

For the 80mm Ambassador, simply turn the focus knob (located in front of the diagonal – see Figure 3-2). Turning the knob clockwise allows you to focus on an object that is farther than the one you are currently observing. Turning the knob counterclockwise from you allows you to focus on an object closer than the one you are currently observing.

For the 50mm Ambassador, simply turn the large knurled ring shown in Figure 3-3. Turning the focus ring counterclockwise allows you to focus on an object that is closer than the one you are currently observing. Turning the focus ring clockwise allows you to focus on an object farther than the one you are currently observing. Remember to remove the front objective cap prior to observing through the telescope.

Note: If you wear corrective lenses (specifically glasses), you may want to remove them when observing with the telescope. If you have astigmatism, corrective lenses must be worn at all times.

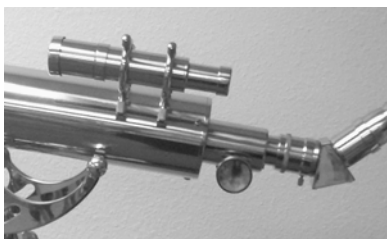


Figure 3-2



Figure 3-3

Calculating Magnification

The Ambassador 50AZ model has a fixed eyepiece which has a magnification (power) of 16x. This model was designed for terrestrial observing and this power is good for all around general usage.

The Ambassador 80AZ model comes standard with a 25mm eyepiece which has a magnification (power) of 32x. You can purchase optional eyepieces (not with a brass finish) to give you higher or lower powers. You can see what is available by looking on the Celestron website.

You can change the power of your 80mm telescope just by changing the eyepiece (ocular). To determine the magnification of your telescope, simply divide the focal length of the telescope by the focal length of the eyepiece used. In equation format, the formula looks like this:

$$\text{Magnification} = \frac{\text{Focal Length of Telescope (mm)}}{\text{Focal Length of Eyepiece (mm)}}$$

Let's say, for example, you are using the 25mm eyepiece that came with your telescope. To determine the magnification you divide the focal length of your telescope (the Ambassador 80AZ for this example has a focal length of 800mm) by the focal length of the eyepiece, 25mm. Dividing 800 by 25 yields a magnification of 32x.

Although the power is variable, each instrument under average skies has a limit to the highest useful magnification. The general rule is that 60 power can be used for every inch of aperture. For example, the Ambassador 80AZ is 3.2 inches in diameter. Multiplying 3.1 by 60 gives a maximum useful magnification of 186 power. Although this is the maximum useful magnification, most observing is done at low power.

Note on Using High Powers – Higher powers are used mainly for lunar and sometimes planetary observing where you can greatly enlarge the image, but remember that the contrast and brightness will be very low due to the high magnification. For the brightest images with the highest contrast levels, use lower powers.

General Observing Hints

When using any optical instrument, there are a few things to remember to ensure you get the best possible image.

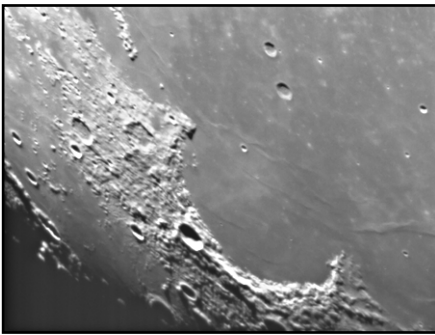
- Never look through window glass. Glass found in household windows is optically imperfect, and as a result, may vary in thickness from one part of a window to the next. This inconsistency can and will affect the ability to focus your telescope. In most cases you will not be able to achieve a truly sharp image, while in some cases you may actually see a double image.
- Never look across or over objects that are producing heat waves. This includes asphalt parking lots on hot summer days or building rooftops.
- Hazy skies, fog, and mist can also make it difficult to focus when viewing terrestrially. The amount of detail seen under these conditions is greatly reduced.
- If you wear corrective lenses (specifically glasses), you may want to remove them when observing with an eyepiece attached to the telescope. If you have astigmatism, corrective lenses must be worn at all times.

CELESTRON **Celestial Observing**

The Ambassador telescopes were designed mainly for terrestrial observing. However, if you have an interest in looking up in the sky, you can observe the Moon and planets quite easily. If you have an interest especially with the 80mm model) to locate some deep sky objects (galaxies, nebulae, or clusters), you will have to find them by “star hopping”. Star hopping is a technique that assists in locating deep sky objects and you can find out how to do it by searching the web for information.

A limitation of astronomical observing is that the Ambassador telescopes have a limited range of sky you can observe in (objects cannot be observed closer than about 30° from the zenith with the 50mm model and about 45° with the 80mm model). This limitation is due to the vintage mechanical design of the altazimuth mount.

Observing the Moon



Often, it is tempting to look at the Moon when it is full. At this time, the face we see is fully illuminated and its light can be overpowering. In addition, little or no contrast can be seen during this phase.

One of the best times to observe the Moon is during its partial phases (around the time of first or third quarter). Long shadows reveal a great amount of detail on the lunar surface. At low power you will be able to see most of the lunar disk at one time. Change to optional eyepieces for higher power (magnification) with the 80mm model to focus in on a smaller area.

Lunar Observing Hints

To increase contrast and bring out detail on the lunar surface, use optional filters. A yellow filter works well at improving contrast while a neutral density or polarizing filter will reduce overall surface brightness and glare.

Observing the Planets

Other fascinating targets include the five naked eye planets. You can see Venus go through its lunar-like phases. Mars can reveal a host of surface detail and one, if not both, of its polar caps. You will be able to see the cloud belts of Jupiter and the great Red Spot (if it is visible at the time you are observing). In addition, you will also be able to see the moons of Jupiter as they orbit the giant planet. Saturn, with its beautiful rings, is easily visible at moderate power.



Planetary Observing Hints

- Remember that atmospheric conditions are usually the limiting factor on how much planetary detail will be visible. So, avoid observing the planets when they are low on the horizon or when they are directly over a source of radiating heat, such as a rooftop or chimney.
- To increase contrast and bring out detail on the planetary surface, try using optional Celestron eyepiece filters.



While your telescope requires little maintenance, there are a few things to remember that will ensure your telescope performs at its best.

Care and Cleaning of the Mechanical Parts

To keep the brass finish looking clean and bright, use brass polishing material. For the wood on the tripod, use furniture polish. Follow the instructions given with the polishing materials.

Care and Cleaning of the Optics

Occasionally, dust and/or moisture may build up on the objective lens or eyepiece of the telescope. Special care should be taken when cleaning any instrument so as not to damage the optics.

If dust has built up on the optics, remove it with a brush (made of camel’s hair) or a can of pressurized air. Spray at an angle to the glass surface for approximately two to four seconds. Then, use an optical cleaning solution and white tissue paper to remove any remaining debris. Apply the solution to the tissue and then apply the tissue paper to the optics. Low pressure strokes should go from the center of the lens (or mirror) to the outer portion. **Do NOT rub in circles!**

You can use a commercially made lens cleaner or mix your own. A good cleaning solution is isopropyl alcohol mixed with distilled water. The solution should be 60% isopropyl alcohol and 40% distilled water. Or, liquid dish soap diluted with water (a couple of drops per one quart of water) can be used.

To minimize the need to clean your telescope, replace all lens covers once you have finished using it. Since the cells are NOT sealed, the covers should be placed over the openings when not in use. This will prevent contaminants from entering the optical tube. Internal adjustments and cleaning should be done only by the Celestron repair department. If your telescope is in need of internal cleaning, please call the factory for a return authorization number and price quote.

AMBASSADOR SPECIFICATIONS

Specifications	Model # 21033	Model # 21034
	Ambassador 50AZ	Ambassador 80AZ
Optical Design	Refractor	Refractor
Aperture	50mm (2.0")	80mm (3.1")
Focal Length	360mm	800mm
Focal Ratio	f/7.2	f/10.0
Optical Coatings	Fully Coated	Fully Coated
Finderscope	n/a	6x30 Erect Image
Diagonal	n/a	Erect Image 45° 1.25"
Eyepieces	H22mm (16x) Built-In	P25mm 1.25" (32x)
Apparent FOV - w/standard eyepiece	25°	45°
Angular Field of View w/standard eyepiece	1.6°	1.4°
Linear FOV w/standard eyepiece – feet @1000yds / meters @1000m	84/28	74/25
Near Focus -- feet/meters	50/15	100/31
Mount	Altazimuth	Altazimuth
Altitude Lock	yes	yes
Azimuth Locking Knob	yes	yes
Optical Tube Length	24" (61cm)	33" (84cm)
Telescope Weight – pounds/kilograms	12.5/5.7	28.5/12.9
Note: Specifications are subject to change without notice or obligation		



Messing-Teleskope der Ambassador™ Serie

BEDIENUNGSANLEITUNG

- ***Ambassador 50AZ 21033***
- ***Ambassador 80AZ 21034***

Inhaltsverzeichnis

EINFÜHRUNG.....	3
ZUSAMMENBAU	6
Aufbau des Stativs.....	6
Aufsatz des Teleskops und der Montierung am Stativ.....	7
Manuelle Bewegung des Teleskops	8
Installation und Ausrichtung des Sucherfernrohrs – 80-mm-Modell.....	8
Installation des Zenitspiegels und Okulars 80-mm-Modell	9
GRUNDLAGEN ZUM TELESKOP	10
Fokussierung	10
Berechnung der Vergrößerung	11
Allgemeine Hinweise zur Beobachtung	11
HIMMELSBEOBACHTUNG	12
Mondbeobachtung.....	12
Beobachtung der Planeten	12
PFLEGE DES TELESKOPS	13
Pflege und Reinigung der mechanischen Teile	13
Pflege und Reinigung der Optik.....	13
AMBASSADOR – TECHNISCHE DATEN	13

CELESTRON **Einführung**

Herzlichen Glückwunsch zum Kauf Ihres Ambassador-Teleskops. Die Ambassador-Serie ist aus Materialien von höchster Qualität gefertigt, um Stabilität und Haltbarkeit zu gewährleisten. All das ergibt ein Teleskop, das Ihnen mit minimalen Wartungsanforderungen viele Jahre Freude bereitet.

Diese Teleskope wurden für den anspruchsvollen Käufer entwickelt. Durch die Messingausführung der Ambassador-Serie und das attraktive Mahagoniholz des Stativs wird Ihr Teleskop zu einem dekorativen Teil Ihrer Wohnung, Ihres Büros oder an anderen Orten, wo Sie seinen klassischen Stil stolz vorzeigen möchten. Außerdem ist Ihr Teleskop ideal für terrestrische Beobachtungen geeignet.

Für unsere Ambassador-Teleskope wird eine eingeschränkte Zwei-Jahres-Garantie gegeben. Nähere Einzelheiten finden Sie auf unserer Website unter www.celestron.com.

Die Standardmerkmale der Ambassador-Teleskope umfassen:

- Voll vergütete optische Elemente für klare, scharfe Bilder.
- Optischer Tubus aus Messing mit Messing-Anschlussteilen. Geringfügige Oberflächenfehler sind bei diesem Metall normal.
- Leichtgängige Funktion, starre Altazimut-Montierung mit einfacher Richtung auf lokalisierte Objekte.
- Standardzubehör für terrestrische Beobachtung im Lieferumfang enthalten.
- Verwendung für gelegentliche astronomische Beobachtungen möglich.

Ihr Teleskop wurde so entwickelt, dass es Ihnen viele Jahre Freude bereitet und interessante Beobachtungen ermöglicht. Sie müssen jedoch vor der Verwendung Ihres Teleskops einige Gesichtspunkte beachten, um Ihre Sicherheit und den Schutz Ihres Instruments zu gewährleisten.

Achtung



- **Niemals mit bloßem Auge oder mit einem Teleskop (außer bei Verwendung eines vorschriftsmäßigen Sonnenfilters) direkt in die Sonne schauen. Sie könnten einen permanenten und irreversiblen Augenschaden davontragen.**
- **Niemals das Teleskop zur Projektion eines Bildes der Sonne auf eine Oberfläche verwenden. Durch die interne Wärmeakkumulation kann das Teleskop und etwaiges daran angeschlossenes Zubehör beschädigt werden.**
- **Niemals einen Okularsonnenfilter oder einen Herschel-Keil verwenden. Die interne Wärmeakkumulation im Teleskop kann zu Rissen oder Brüchen dieser Instrumente führen. Dadurch könnte ungefiltertes Sonnenlicht ins Auge gelangen.**
- **Das Teleskop nicht unbeaufsichtigt lassen, wenn Kinder oder Erwachsene, die möglicherweise nicht mit den richtigen Betriebsverfahren Ihres Teleskops vertraut sind, gegenwärtig sind.**

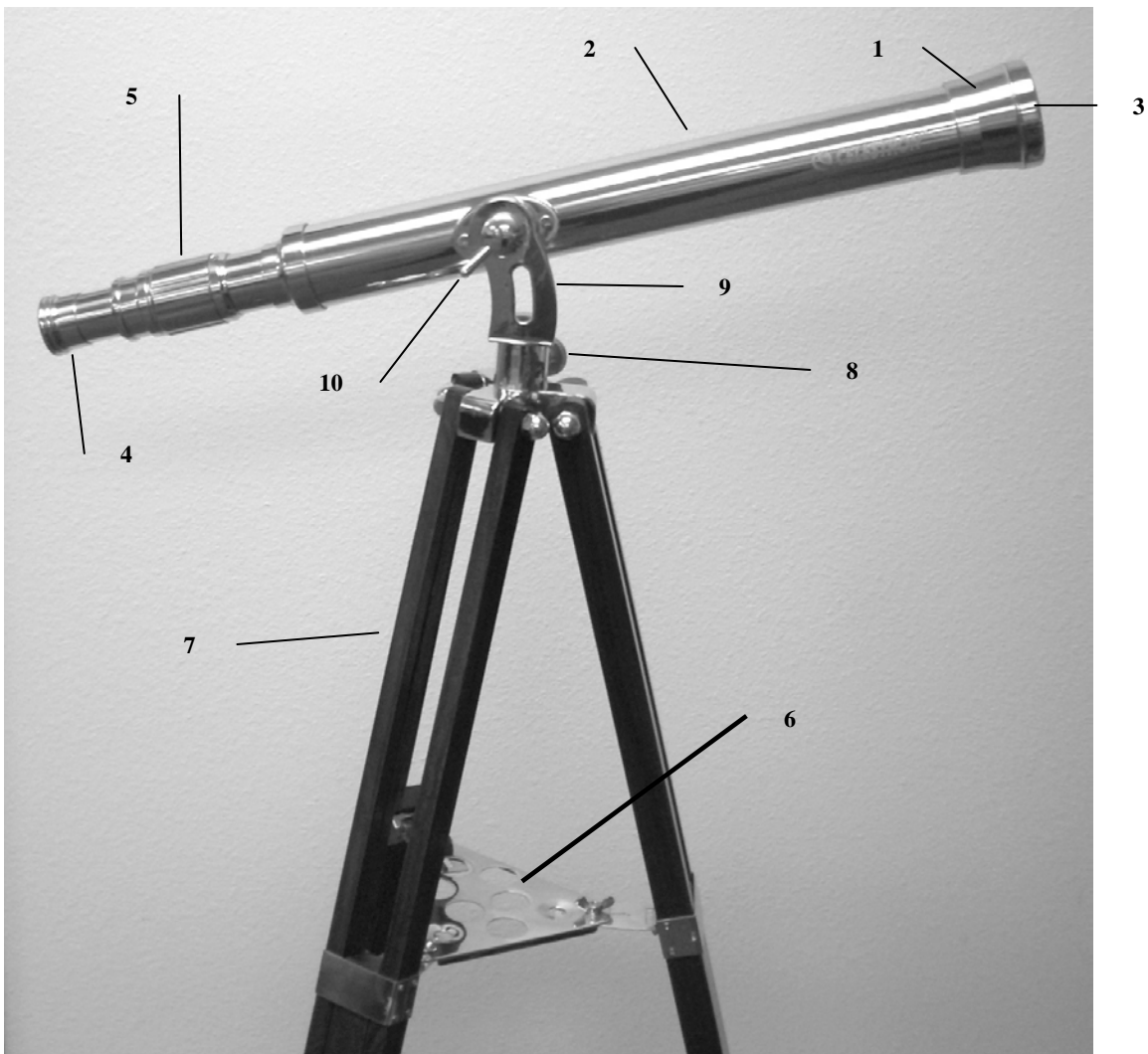


Abb. 1-1 Ambassador 50AZ Refraktorteleskop

1.	Objektivlinse	6.	Stativzubehörablage/Strebe
2.	Teleskoprohr mit Optik	7.	Stativ (dreibeinig)
3.	Objektivdeckel	8.	Azimet-Feststellknopf
4.	Okular	9.	Altazimet-Montierung
5.	Fokussiererring	10.	Höhenarretierung

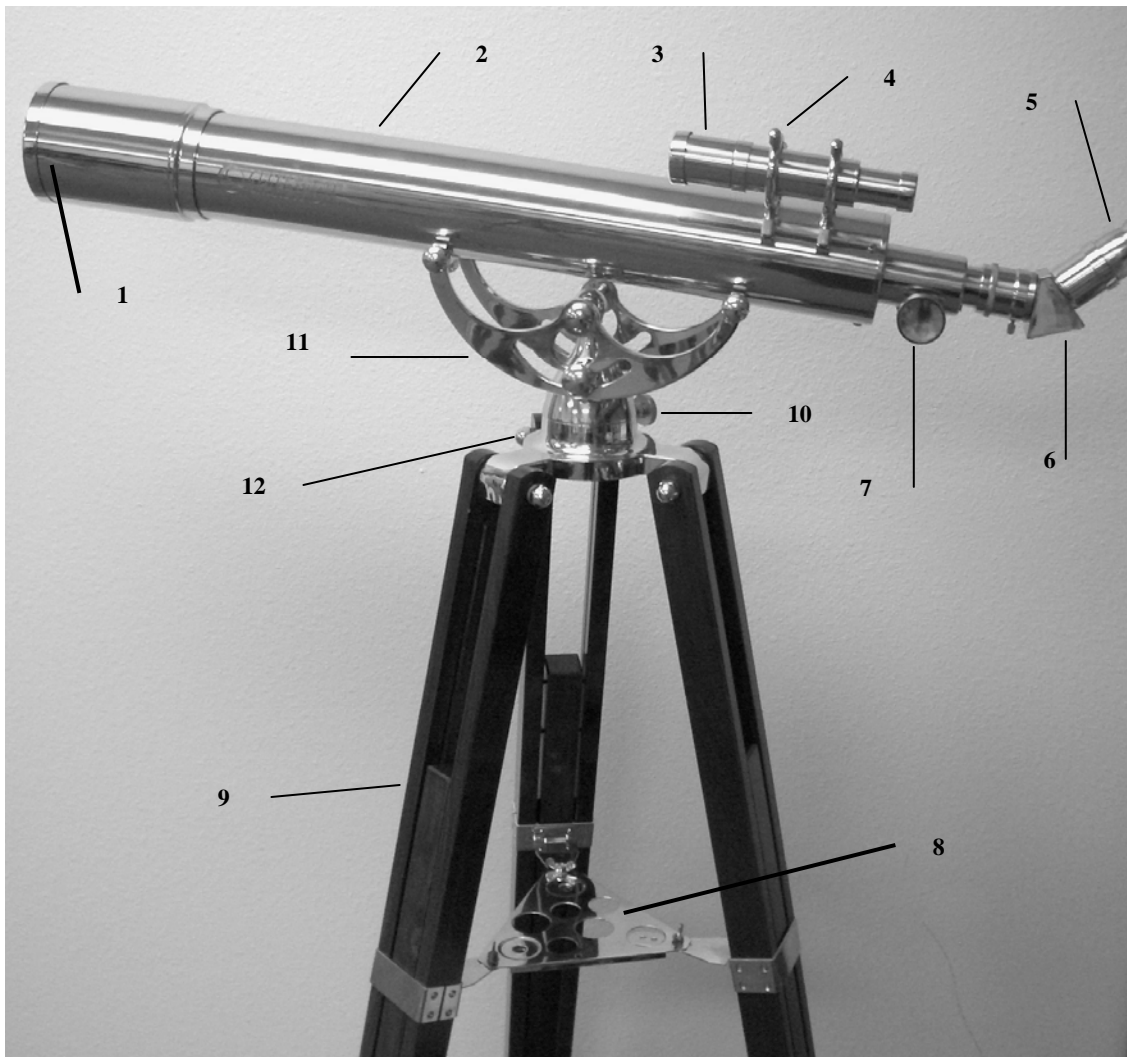


Abb. 1-2 Ambassador 80AZ Refraktorteleskop

1.	Objektivlinse	7.	Fokussierknopf
2.	Teleskoprohr mit Optik	8.	Stativzubehörablage/Strebe
3.	Sucherfernrohr	9.	Stativ (dreibeinig)
4.	Sucherfernrohrhalter	10.	Azimet-Feststellknopf
5.	Okular	11.	Altazimet-Montierung
6.	Zenitsspiegel für aufrechtes Bild	12.	Höhenarretierung



Dieser Abschnitt enthält die Anleitung zum Zusammenbau des Ambassador-Teleskops. Da einige Teile sehr schwer sind (besonders beim 80-mm-Modell) und Sie aufpassen müssen, damit die Messingoberfläche nicht zerkratzt wird, wird empfohlen, dass das Teleskop von zwei Personen zusammengebaut wird. Die verschiedenen Teile des Teleskops sind mit Schutzmaterial eingewickelt. Bitte entfernen Sie dieses Material vorsichtig.

Das Ambassador-Teleskop ist immer in einem Karton verpackt. Die Teile im Karton für alle Modelle sind: optischer Tubus mit angebrachter Altazimut-Montierung, drei Stativbeine, Stativzubehörablage/Strebe, Bedienungsanleitung.

Außerdem wird das 80-mm-Modell mit einem Okular, Zenitspiegel für aufrechtes Bild, Sucherfernrohr für aufrechtes Bild und Sucherfernrohrhalterung mit Befestigungsteilen geliefert.

Sie benötigen die folgenden Hilfsmittel: einen kleinen Kreuzschlitzschraubendreher und zwei kleine Rollgabelschlüssel (Engländer) oder Gabelschlüssel/Ringschlüssel von 16 mm (5/8 Zoll) Größe.

Aufbau des Stativs

1. Nehmen Sie die drei Stativbeine aus dem Karton (Abb. 2-1). Die Beine des 50-mm-Teleskops ähneln denen des 80-mm-Modells, haben jedoch eine kürzere Länge und Breite.
2. Lösen Sie (durch Drehen gegen den Uhrzeigersinn) den Feststellknopf des Stativbeins in der Nähe der Unterseite des Stativs (Abb. 2-2) und ziehen Sie dann das mittlere Holzstück ca. 254 mm (10 Zoll) heraus. Das erleichtert den Zusammenbau. Drehen Sie dann den Feststellknopf des Stativbeins fest. Machen Sie das Gleiche für die anderen beiden Stativbeine. In Abb. 2-3 ist gezeigt, wie der obere Teil des Stativbeins aussieht.
3. Als Nächstes installieren wir die Stativzubehörablage/Strebe an den Stativbein-Scharnieren. Das Stativbein-Scharnier ist in Abb. 2-4 gezeigt. Beachten Sie, dass das Scharnier für das 80-mm-Modell (abgebildet) fünf Löcher hat, wie gezeigt, und dass das 50-mm-Modell einen langen Schlitz aufweist. Das Scharnier aller drei Beine ist nach innen gerichtet.
4. Die Zubehörablage ist in Abb. 2-5 gezeigt, zusammen mit drei Flügelmuttern und drei Schrauben mit Unterlegscheiben. Das Bild zeigt die Schrauben und Unterlegscheiben von den Flügelmuttern entfernt (sie werden mit angelegten Schrauben und Unterlegscheiben geliefert, so dass sie nicht verloren gehen, aber sie müssen zum Zusammenbau entfernt werden).
5. Die Zubehörablage muss wie in der Abbildung gezeigt nach oben zeigen, und die Flügelmutter sind oben, so dass die Schrauben (mit angelegter Unterlegscheibe) von der Unterseite der Zubehörablage in die Flügelmutter eingeschraubt werden. Sie sollten die Flügelmutter und Schrauben/Unterlegscheiben zuerst in das zweite Loch an der Zubehörablage (am 80-mm-Modell) vom Stativbein einstecken. Am 50-mm-Modell werden die Schrauben/Unterlegscheiben ungefähr in der Mitte des Schlitzes am Stativscharnier befestigt. Sie können die Position der Zubehörablage am Scharnier bei Bedarf später verstellen.



Abb. 2-1

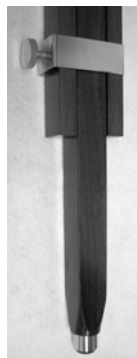


Abb. 2-2

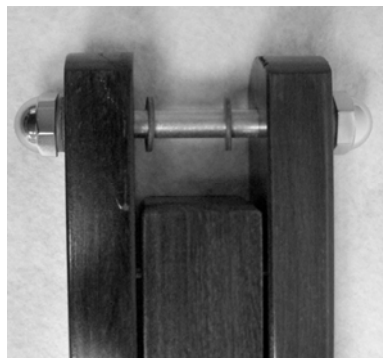


Abb. 2-3



Abb. 2-4

- Abb. 2-6 zeigt ein Stativbeinscharnier, das zur Befestigung an der Zubehörablage bereit ist. Sie können die Schraube mit der Unterlegscheibe zuerst von Hand anziehen, aber wenn alle drei Beinscharniere an der Ablage befestigt sind, ziehen Sie die Schraube mit einem entsprechenden Kreuzschlitzschraubendreher fest, während Sie die Flügelmuttern mit der anderen Hand festhalten.
- Nachdem alle Scharniere an der Zubehörablage befestigt und angezogen wurden, sehen sie aus wie in Abb. 2-7.

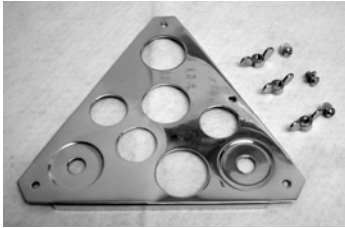


Abb. 2-5

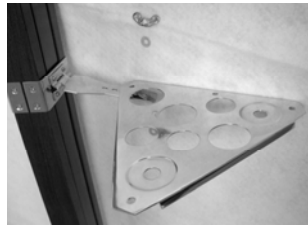


Abb. 2-6



Abb. 2-7

- Die Beine des Stativs können auf die gewünschte Höhe ausgezogen werden. Die geringste Höhe beim 50-mm-Modell ist ca. 89 cm (35 Zoll). Mit voll ausgefahrenen Beinen hat das Stativ eine Höhe von ca. 150 cm (60 Zoll). Die geringste Höhe beim 80-mm-Modell ist ca. 109 cm (43 Zoll). Mit voll ausgefahrenen Beinen hat das Stativ eine Höhe von ca. 183 cm (72 Zoll). Entriegeln Sie die Feststellknöpfe unten an jedem Stativbein (Abb. 2-2), indem Sie sie gegen den Uhrzeigersinn drehen, und ziehen Sie die Beine auf die gewünschte Höhe heraus. Arretieren Sie dann die Feststellknöpfe wieder.
- Das Stativ ist in den geringeren Höhen am steifsten und stabilsten, aber Sie sollten die Höhe so wählen, dass Sie bequem damit arbeiten können.
- Beim 80-mm-Modell können Sie die Öffnungen in der Zubehörablage zur Ablage von zusätzlichen (optionalen) 1,25-Zoll-Okularen verwenden.

Aufsatz des Teleskops und der Montierung am Stativ

Der optische Tubus des Teleskops wird an der Altazimut-Montierung angebracht geliefert. Diese Einheit wird jetzt an das Stativ, das Sie soeben zusammengesetzt haben, montiert. Dieses Verfahren wird am besten von zwei Personen durchgeführt, denn die Stativbeine sind beweglich und können sich verschieben, wenn die Schrauben, die zwischen den Oberteil der Stativbeine und durch den Unterteil der Montierung gehen, ausgerichtet werden. Die Bilder zeigen das 80-mm-Modell, aber das 50-mm-Modell ist ähnlich, außer wenn auf Unterschiede hingewiesen wird.



Abb. 2-8



Abb. 2-9



Abb. 2-10



Abb. 2-11

- Legen Sie die Stativbeine auf den Boden.
- Legen Sie den optischen Tubus und die Montierung zwischen zwei der Stativbeine (siehe Abb. 2-8).
- Die Löcher der Montierung (in der Nähe der Unterseite, siehe Abb. 2-9) passen zwischen die Stativbeine und werden mit der Schraubeneinheit der Stativbeine befestigt (siehe Abb. 2-10).
- Entfernen Sie die Schrauben und Unterlegscheiben von jeder Beineinheit. Beim 50-mm-Modell gibt es keine Unterlegscheiben an der Innenseite der Stativbeine.
- Setzen Sie eine Ecke der Montierung zwischen ein Stativbein. Stecken Sie jetzt eine der Schrauben mit Unterlegscheibe durch eine Seite des Beins und durch die Ecke der Montierung, bis sie auf der anderen Seite des Beins austritt. Achten Sie darauf, dass alle Unterlegscheiben so angelegt sind, wie sie ursprünglich an den Stativbeinen aufgesetzt waren. Ziehen Sie jetzt die Schrauben mit Schraubenschlüsseln fest.
- Wenn alle Stativbein-Schraubeneinheiten an der Montierung befestigt sind, sieht es so aus wie in Abb. 2-11.

Manuelle Bewegung des Teleskops

Die Ambassador-Montierung lässt sich zur Anvisierung leicht bewegen.

Die Auf- und Abwärtsbewegung (Höhe) wird mit dem Höhenfeststellknopf gesteuert (Abb. 2-12). Lösen Sie den Höhenfeststellknopf, indem Sie ihn gegen den Uhrzeigersinn drehen. Wenn Sie die gewünschte Position erreicht haben, ziehen Sie den Feststellknopf durch Drehen im Uhrzeigersinn fest.

Hinweis: Bevor Sie den Höhenfeststellknopf am 80-mm-Modell ganz arretieren, sollte sich das Zielobjekt, das Sie suchen, im Sucherfernrohr befinden.



Abb. 2-12



Abb. 2-13

Die Bewegung von einer Seite zur anderen (Azimut) wird mit dem Azimut-Feststellknopf gesteuert (Abb. 2-13). Lösen Sie den Azimut-Feststellknopf, indem Sie ihn gegen den Uhrzeigersinn drehen. Wenn Sie die gewünschte Position erreicht haben, ziehen Sie den Feststellknopf fest.

Wenn beide Knöpfe gelöst sind, lassen sich Ihre Objekte leicht auffinden. Danach können die Kontrollelemente wieder arretiert werden. Die Abbildungen für das 50-mm- und das 80-mm-Modell sind ähnlich.

Hinweis: Wenn Ihnen die Auf-/Abwärtsbewegung (Höhe) zu fest oder zu locker vorkommt, können Sie die Spannung einstellen. Dazu können Sie die runden Knöpfe (einer auf jeder Seite der Montierung, direkt gegenüber voneinander) festziehen oder losdrehen. Achten Sie darauf, dass die Feststellknöpfe zu Beginn fest angezogen sind. Fassen Sie die beiden runden Knöpfe gleichzeitig an und drehen Sie sie leicht, um sie zu lösen oder festzuziehen. Lassen Sie dann den Höhenknopf los und prüfen Sie die Spannung. Stellen Sie die Knöpfe auf diese Weise ein, bis Sie mit der Spannung zufrieden sind. Der runde Knopf befindet sich direkt über dem Höhenfeststellknopf (siehe Abb. 2-12a).



Abb. 2-12a

Installation und Ausrichtung des Sucherfernrohrs – 80-mm-Modell

Ein Sucherfernrohr ist ein kleines Teleskop, das am Hauptteleskop angebracht ist, um die Auffindung von Objekten zu erleichtern.

Installation des Sucherfernrohrs:

1. Abb. 2-14 zeigt das Sucherfernrohr (oben) und die Halterungen mit den Befestigungsschrauben.
2. Installieren Sie die Halterungen in den Löchern am optischen Tubus (Abb. 2-15) mit den Daumenschrauben und ziehen Sie sie fest. Abb. 2-16 zeigt die installierten Halterungen.
3. Nehmen Sie den Objektivdeckel von beiden Enden des Sucherfernrohrs ab.
4. Stecken Sie das Sucherfernrohr so in die Halterung, dass die Linse mit dem größeren Durchmesser (Objektivende) zur Vorderseite (Objektivlinse) des optischen Tubus zeigt. Sie müssen die Schrauben in den Halterungen zurückziehen, damit das Sucherfernrohr hineinpasst.
5. Das Sucherfernrohr sollte in den Halterungen sitzen, wo die Daumenschrauben im Innern der kleinen Rillen im Sucherfernrohr festgezogen werden können. Ziehen Sie dann die Daumenschrauben von Hand fest.



Abb. 2-14

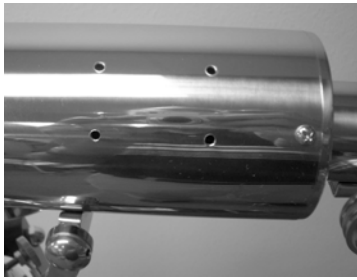


Abb. 2-15

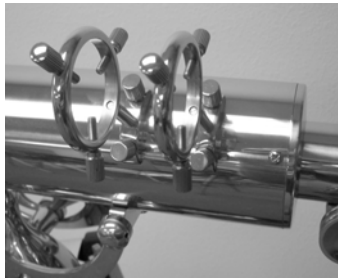


Abb. 2-16



Abb. 2-17

Ausrichtung des Sucherfernrohrs mit dem Hauptteleskop:

1. Entfernen Sie den vorderen Linsendeckel des Teleskops und beide Deckel vom Sucherfernrohr. Machen Sie ein Objekt am Tage in einer Entfernung von mindestens 0,4 km (1/4 Meile) ausfindig und zentrieren Sie es im Hauptteleskop.
2. Schauen Sie durch den Sucher (Okularende des Sucherfernrohrs, wo sich die Linse mit kleinerem Durchmesser befindet) und notieren Sie die Position des gleichen Objekts.
3. Drehen Sie, ohne das Hauptteleskop zu bewegen, die Daumenschrauben der Sucherfernrohrhalterungen, bis das Fadenkreuz des Sucherfernrohrs auf dem mit dem Hauptteleskop gewählten Objekt zentriert ist. U.U. sind ein paar Versuche erforderlich, um das Objekt richtig zu zentrieren, während Sie eine der Daumenschrauben jeder Halterung losdrehen und eine andere festziehen.
4. Wenn das Bild im Sucherfernrohr nicht scharf (fokussiert) ist, müssen Sie das Sucherfernrohr einstellen, um eine Scharfstellung zu erzielen. Machen Sie den Ring am Sucherfernrohr ausfindig (zwischen Objektivlinse und Sucherfernrohrhalterung) und drehen Sie ihn einige Umdrehungen gegen den Uhrzeigersinn, um ihn zu lösen. Drehen Sie dann die vordere Objektivereinheit ein oder heraus, bis das Objekt scharf eingestellt ist. Ziehen Sie zum Schluss den Ring fest.

Installation des Zenitspiegels und Okulars (80-mm-Modell)

Der Zenitspiegel ist ein Prisma, das das Licht im Winkel von 45° zum Lichtpfad des Teleskops ablenkt. Das ermöglicht Ihnen die Beobachtung in einer bequemerer Position, als wenn Sie gerade durchschauen müssten. Dieser Zenitspiegel ist ein Aufrecht-Bild-Modell, das das Bild so korrigiert, dass es mit der richtigen Seite nach oben und mit seitenrichtiger Ausrichtung erscheint. Das ist einfacher für die Verwendung zur terrestrischen Beobachtung. Der Zenitspiegel kann auch in jede Position gedreht werden, die für Sie am günstigsten ist. Installation des Zenitspiegels und der Okulare:

1. Entfernen Sie den Deckel hinten am Teleskop, indem Sie ihn gegen den Uhrzeigersinn losdrehen (Abb. 2-18).
2. Stecken Sie die kleine Steckhülse des Zenitspiegels in die hintere Öffnung des Teleskops. Achten Sie darauf, dass die Daumenschraube am Teleskop vor der Installation nicht in die Öffnung hineinragt. Ziehen Sie nach Einsatz des Zenitspiegels die Daumenschraube fest, um ihn zu sichern (Abb. 2-19).
3. Stecken Sie die Steckhülse des Okulars in den Zenitspiegel und ziehen Sie die Daumenschraube des Zenitspiegels fest, um das Okular zu sichern. Ziehen Sie dann die Daumenschraube fest (Abb. 2-20). Hierbei müssen Sie wieder sicherstellen, dass die Daumenschraube nicht in den Zenitspiegel ragt, bevor das Okular eingesteckt wird.
4. Das Standardokular kann durch andere optionale Okulare (für geringere oder größere Vergrößerungsleistung) ausgetauscht werden. Führen Sie dazu das Verfahren in Schritt 3 in umgekehrter Reihenfolge durch.

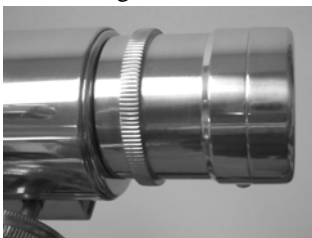


Abb. 2-18



Abb. 2-19

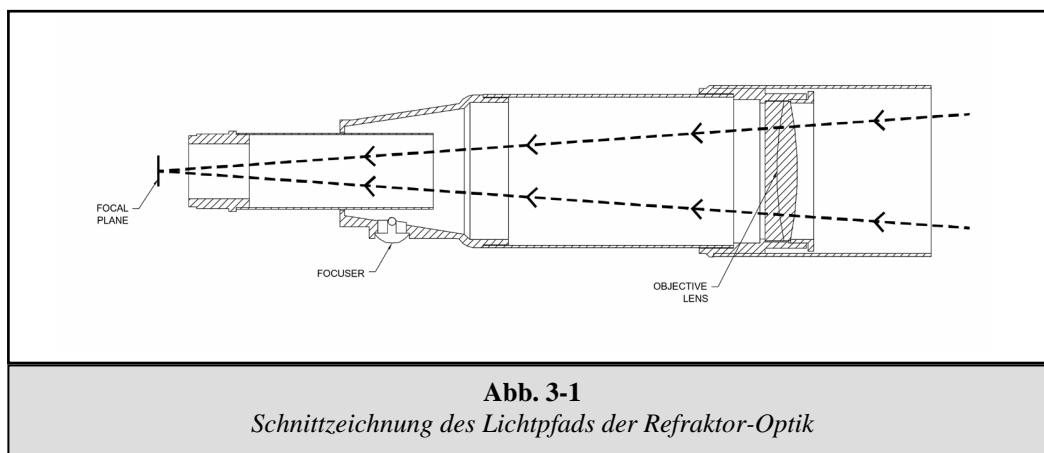


Abb. 2-20

CELESTRON® Grundlagen Zum Teleskop

Ein Teleskop ist ein Instrument, das Licht sammelt und fokussiert. Die Art des optischen Designs bestimmt, wie das Licht fokussiert wird. Das Refraktorteleskop verwendet Linsen in seinem optischen Design.

Der Refraktor wurde Anfang der 1600er entwickelt. Er ist das älteste Teleskopdesign. Sein Name leitet sich von dem Verfahren ab, das zur Fokussierung der eintretenden Lichtstrahlen verwendet wird. Der Refraktor verwendet eine Linse zur Beugung oder Refraktion der eintretenden Lichtstrahlen, daher der Name (siehe Abb. 3-1). Frühe Designs verwendeten Ein-Element-Linsen. Die Einzellinse wirkt jedoch wie ein Prisma und das Licht bricht sich in den Regenbogenfarben. Dieses Phänomen ist als chromatische Aberration bekannt. Um dieses Problem zu vermeiden, wurde eine Zwei-Element-Linse, die unter der Bezeichnung Achromatlinse bekannt ist, eingeführt. Jedes Element hat einen anderen Refraktionsindex, der ermöglicht, dass zwei verschiedene Lichtwellenlängen am gleichen Punkt fokussiert werden. Die meisten Zwei-Element-Linsen, die für gewöhnlich aus Flintglas und Kronglas bestehen, werden für rotes und grünes Licht korrigiert. Blaues Licht kann immer noch an einem leicht abweichenden Punkt fokussiert werden.



Fokussierung

Beim 80-mm-Ambassador drehen Sie einfach den Fokussierknopf (vorn am Zenitspiegel – siehe Abb. 3-2). Wenn der Knopf im Uhrzeigersinn gedreht wird, können Sie ein Objekt scharf einstellen, das weiter entfernt ist als das gegenwärtig beobachtete Objekt. Wenn der Knopf gegen den Uhrzeigersinn gedreht wird, können Sie ein Objekt scharf einstellen, das näher ist als das gegenwärtig beobachtete Objekt.

Beim 50-mm-Ambassador drehen Sie einfach den großen Rändelring (Abb. 3-3). Wenn der Fokusring gegen den Uhrzeigersinn gedreht wird, können Sie ein Objekt scharf einstellen, das näher liegt als das gegenwärtig beobachtete Objekt. Wenn der Fokusring im Uhrzeigersinn gedreht wird, können Sie ein Objekt scharf einstellen, das weiter entfernt ist als das gegenwärtig beobachtete Objekt. Denken Sie daran, vor den Beobachtungen durch das Teleskop zuerst den vorderen Objektivdeckel abzunehmen.

Hinweis: Wenn Sie Korrekturlinsen/-gläser (insbesondere eine Brille) tragen, werden Sie es vielleicht bevorzugen, diese abzusetzen, wenn Sie Beobachtungen durch das Teleskop vornehmen. Wenn Sie Hornhautverkrümmung (Astigmatismus) haben, müssen Sie Ihre Korrekturlinsen immer tragen.

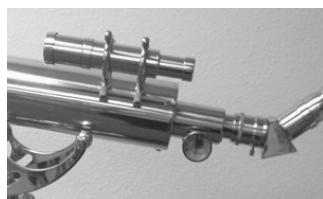


Abb. 3-2



Abb. 3-3

Berechnung der Vergrößerung

Das Ambassador-Modell 50AZ hat ein festes Okular mit einer Vergrößerungsleistung von 16x. Dieses Modell wurde für terrestrische Beobachtungen entwickelt und diese Vergrößerungsleistung ist für eine allgemeine Verwendung geeignet.

Das Ambassador-Modell 80AZ wird standardgemäß mit einem 25-mm-Okular mit einer Vergrößerungsleistung von 32x geliefert. Sie können optionale Okulare (keine Messingausführung) kaufen, die Ihnen höhere oder niedrigere Vergrößerungsleistungen geben. Wenn Sie sich über das Angebot informieren möchten, besuchen Sie die Celestron-Website.

Die Vergrößerungskraft des 80-mm-Teleskops kann durch Wechsel des Okulars geändert werden. Zur Bestimmung der Vergrößerung Ihres Teleskops teilen Sie einfach die Brennweite des Teleskops durch die Brennweite des verwendeten Okulars. Die Formel kann in Form einer Gleichung ausgedrückt werden:

$$\text{Vergrößerung} = \frac{\text{Brennweite des Teleskops (mm)}}{\text{Brennweite des Okulars (mm)}}$$

Angenommen, Sie verwenden das 25mm-Okular, das im Lieferumfang des Teleskops enthalten ist. Um die Vergrößerung zu bestimmen, teilen Sie einfach die Brennweite Ihres Teleskops (das in diesem Beispiel verwendete Ambassador 80AZ hat eine Brennweite von 800 mm) durch die Brennweite des Okulars, nämlich 25 mm. Die Division von 800 durch 25 ergibt eine Vergrößerungskraft von 32x.

Obwohl die Vergrößerungsleistung variabel ist, hat jedes Gerät unter einem normalen Himmel eine obere Grenze der maximalen nützlichen Vergrößerung. Die allgemeine Regel ist, dass eine Vergrößerungsleistung von 60 für jeden Zoll Blendenöffnung verwendet werden kann. Zum Beispiel hat das Ambassador-Modell 80AZ einen Durchmesser von 80 cm (3,1 Zoll). 3,1 mal 60 ergibt eine maximale nützliche Vergrößerung von 186. Obwohl dies die maximale nützliche Vergrößerung ist, erfolgen die meisten Beobachtungen mit einer geringeren Vergrößerungsleistung.

Hinweis zur Verwendung von hohen Vergrößerungsleistungen – Die höheren Vergrößerungsleistungen werden hauptsächlich für Mond- und manchmal Planetenbeobachtungen verwendet, wo man das Bild stark vergrößern kann. Vergessen Sie aber nicht, dass der Kontrast und die Helligkeit aufgrund der hohen Vergrößerung sehr gering sind. Für die hellsten Bilder mit optimalem Kontrast verwenden Sie geringere Vergrößerungsleistungen.

Allgemeine Hinweise zur Beobachtung

Bei der Arbeit mit jedem optischen Gerät gibt es ein paar Dinge, an die man denken muss, um sicherzustellen, dass man das bestmögliche Bild erhält.

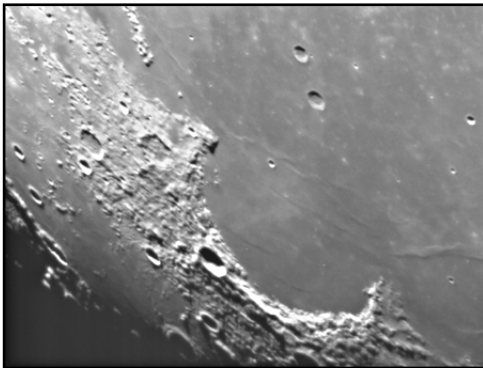
- Niemals durch Fensterglas schauen. Glas in Haushaltsfenstern ist optisch nicht perfekt und verschiedene Teile des Fensters können daher von unterschiedlicher Dicke sein. Diese Unregelmäßigkeiten beeinträchtigen (u.U.) die Fähigkeit der Scharfstellung des Teleskops. In den meisten Fällen werden Sie kein wirklich scharfes Bild erzielen können. In anderen Fällen können Sie sogar ein doppeltes Bild sehen.
- Niemals durch oder über Objekte hinwegsehen, die Hitzewellen produzieren. Dazu gehören Asphaltparkplätze an heißen Sommertagen oder Gebäudedächer.
- Ein diesiger Himmel, starker oder leichter Nebel können die Scharfstellung bei der terrestrischen Beobachtung ebenfalls erschweren. Unter diesen Bedingungen sind Details nur schwierig zu sehen.
- Wenn Sie Korrekturlinsen/-gläser (insbesondere eine Brille) tragen, werden Sie es vielleicht bevorzugen, diese abzusetzen, wenn Sie Beobachtungen durch ein Okular des Fernrohrs vornehmen. Wenn Sie Hornhautverkrümmung (Astigmatismus) haben, müssen Sie Ihre Korrekturlinsen immer tragen.

CELESTRON **Himmelsbeobachtung**

Die Ambassador-Teleskope wurden hauptsächlich für terrestrische Beobachtungen entwickelt. Wenn Sie jedoch an Himmelsbeobachtungen interessiert sind, können Sie den Mond und Planeten ganz einfach beobachten. Wenn Sie an der Auffindung von Deep-Sky-Objekten (Galaxien, Nebel oder Sternhaufen) interessiert sind (insbesondere mit dem 80-mm-Modell), müssen Sie sie durch Starhopping (Hüpfen von Stern zu Stern) finden. Starhopping ist eine Technik, die die Auffindung von Deep-Sky-Objekten unterstützt. Sie können im Internet mehr über das Verfahren lernen.

Eine Einschränkung bei astronomischen Beobachtungen ist der limitierte, beobachtbare Himmelsbereich der Ambassador-Teleskope (keine Beobachtungen von Objekten, die dichter als ca. 30° am Zenit sind, mit dem 50-mm-Modell und von Objekten, die dichter als ca. 45° am Zenit sind, mit dem 80-mm-Modell). Diese Einschränkung ist durch das klassische mechanische Design der Altazimut-Montierung bedingt.

Mondbeobachtung



Die Versuchung, den Mond zu beobachten, ist bei Vollmond am größten. Zu diesem Zeitpunkt ist das Mondgesicht voll beleuchtet und sein Licht kann übermächtig sein. Außerdem ist in dieser Phase wenig oder kein Kontrast sichtbar.

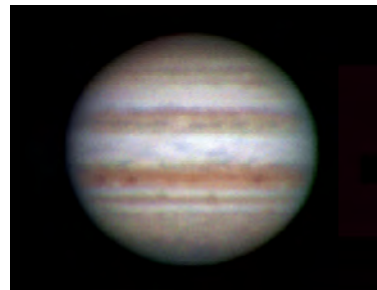
Die partiellen Phasen (ungefähr das erste oder dritte Viertel) gelten als optimale Zeiten der Mondbeobachtung. Die langen Schatten enthüllen dann viele Details auf der Mondoberfläche. Sie können mit geringer Vergrößerung den größten Teil der Mondscheibe auf einmal sehen. Wenn Sie einen kleineren Bereich schärfer einstellen wollen, wechseln Sie zu einem optionalen Okular mit höherer Vergrößerung, wenn Sie das 80-mm-Modell verwenden.

Empfehlungen zur Mondbeobachtung

Optionale Filter können zur Steigerung des Kontrasts und zur besseren Sichtbarmachung von Details auf der Mondoberfläche verwendet werden. Ein Gelbfilter ist geeignet, um den Kontrast zu verbessern. Ein polarisierender Filter oder Filter mit neutraler Dichte reduziert die gesamte Oberflächenhelligkeit und Blendung.

Beobachtung der Planeten

Andere faszinierende Ziele sind u.a. die fünf Planeten, die mit bloßem Auge zu sehen sind. Man kann sehen, wie Venus ihre mondähnlichen Phasen durchläuft. Der Mars kann eine Menge Oberflächendetails sowie eine oder sogar beide Polarkappen erkennen lassen. Sie werden auch die Wolkengürtel von Jupiter und den großen roten Fleck gut erkennen können (wenn er zum Beobachtungszeitpunkt sichtbar ist). Außerdem können Sie die Jupitermonde auf ihrer Umlaufbahn um den Riesenplaneten erkennen. Die Ringe des Saturn sind leicht mit mäßiger Vergrößerung sichtbar.



Empfehlungen zur Planetenbeobachtung

- Die atmosphärischen Bedingungen sind in der Regel die Faktoren, die einschränken, wie viele feine Details der Planeten erkennbar sind. Man sollte daher die Planeten möglichst nicht dann beobachten, wenn sie sich tief am Horizont befinden oder wenn sie direkt über einer Wärmestrahlungsquelle, wie z.B. ein Dach oder Kamin, stehen.
- Optionale Celestron-Okularfilter können zur Steigerung des Kontrasts und zur besseren Sichtbarmachung von Details auf der Planetenoberfläche verwendet werden.



CELESTRON®

Pflege Des Teleskops

Ihr Teleskop erfordert wenig Pflege, aber einige Punkte sollten Sie doch beachten, um sicherzustellen, dass Sie eine optimale Leistung von Ihrem Teleskop erhalten.

Pflege und Reinigung der mechanischen Teile

Verwenden Sie eine Messingpolitur, um das saubere, glänzende Aussehen der Messingoberfläche zu erhalten. Für das Holz am Stativ ist eine Möbelpolitur angebracht. Befolgen Sie die Gebrauchsanleitungen der Polituren.

Pflege und Reinigung der Optik

Gelegentlich kann sich Staub und/oder Feuchtigkeit auf der Objektivlinse oder dem Okular des Teleskops ansammeln. Wie bei jedem anderen Instrument ist die Reinigung mit besonderer Vorsicht durchzuführen, damit die Optik nicht beschädigt wird.

Wenn sich auf der Optik Staub angesammelt hat, entfernen Sie ihn mit einem Pinsel (Kamelhaar) oder einer Druckluftdose. Sprühen Sie ca. 2 bis 4 Sekunden im Winkel auf die Glasoberfläche. Entfernen Sie dann alle Reste mit einer Reinigungslösung für optische Produkte und einem weißen Papiertuch. Geben Sie die Lösung auf das Tuch und reinigen Sie dann die Optik mit dem Papiertuch. Reinigen Sie die Linse (oder den Spiegel) mit geringer Druckanwendung von der Mitte nach außen. **NICHT mit einer Kreisbewegung reiben!**

Die Reinigung kann mit einem im Handel erhältlichen Linsenreiniger oder einer selbst hergestellten Mischung vorgenommen werden. Eine geeignete Reinigungslösung ist mit destilliertem Wasser vermischter Isopropylalkohol. Zur Herstellung der Lösung nehmen Sie 60% Isopropylalkohol und 40% destilliertes Wasser. Auch ein mit Wasser verdünntes Flüssiggeschirrspülmittel (ein paar Tropfen pro ca. 1 Liter) kann verwendet werden.

Setzen Sie nach dem Gebrauch alle Objektivabdeckungen wieder auf, um den Reinigungsbedarf Ihres Teleskops möglichst gering zu halten. Da die Zellen NICHT verschlossen sind, müssen die Öffnungen bei Nichtgebrauch mit den Abdeckungen geschützt werden. Auf diese Weise wird verhindert, dass verschmutzende Substanzen in den optischen Tubus eindringen. Interne Einstellungen und Reinigungen dürfen nur durch die Reparaturabteilung von Celestron ausgeführt werden. Wenn Ihr Teleskop eine interne Reinigung erfordert, rufen Sie das Werk an, um sich eine Rücksende-Genehmigungsnummer geben zu lassen und den Preis zu erfragen.

AMBASSADOR – TECHNISCHE DATEN

Technische Daten	Modell 21033	Modell 21034
	Ambassador 50AZ	Ambassador 80AZ
Optisches Design	Refraktor	Refraktor
Blendenöffnung	50 mm (2,0 Zoll)	80 mm (3,1 Zoll)
Brennweite	360 mm	800 mm
Öffnungsverhältnis	f/7,2	f/10,0
Optische Vergütung	Voll vergütet	Voll vergütet
Sucherfernrohr	n.z.	6x30 aufrechtes Bild
Zenit Spiegel	n.z.	Aufrechtbild 45° 1,25 Zoll
Okulare	H22 mm (16x) integriert	P25 mm 1,25 Zoll (32x)
Scheinbares Gesichtsfeld – mit Standardokular	25°	45°
Gesichtsfeldwinkel mit Standardokular	1.6°	1.4°
Lineares Gesichtsfeld mit Standardokular – Fuß @1000 Yard / m @ 1000 m	84/28	74/25
Nahfokus – Fuß/Meter	50/15	100/31
Montierung	Altazimut	Altazimut
Höhenarretierung	Ja	Ja
Azimut-Feststellknopf	Ja	Ja
Länge des optischen Tubus	61 cm (24 Zoll)	84 cm (33 Zoll)
Gewicht des Teleskops – lbs/kg	12,5/5,7	28,5/12,9
Hinweis: Die technischen Daten können ohne Mitteilung oder Verpflichtung geändert werden.		



Telescopios de la serie Ambassador™

MANUAL DE INSTRUCCIONES

- *Ambassador 50AZ N° 21033*
- *Ambassador 80AZ N° 21034*

Índice

INTRODUCCIÓN.....	3
ENSAMBLAJE.....	6
Cómo ensamblar el trípode	6
Conexión del telescopio y el montaje al trípode	7
Cómo mover el telescopio manualmente	8
Instalación y alineación del telescopio buscador: Modelo de 80 mm	8
Instalación de la lente a 90° y el ocular: modelo de 80 mm.....	9
INFORMACIÓN BÁSICA SOBRE EL TELESCOPIO.....	10
Enfoque	10
Cálculo del aumento.....	11
Consejos generales para las observaciones	11
OBSERVACIÓN DE CUERPOS CELESTES.....	12
Observación de la luna.....	12
Observación de los planetas	12
MANTENIMIENTO DEL TELESCOPIO.....	13
Cuidado y limpieza de las piezas mecánicas	13
Cuidado y limpieza de las lentes ópticas.....	13
ESPECIFICACIONES DEL AMBASSADOR	13



Le felicitamos por la compra de su telescopio Ambassador. Los telescopios de la serie Ambassador están hechos con materiales de la mejor calidad para asegurar estabilidad y durabilidad. Todo esto contribuye a que su telescopio le ofrezca toda una vida de satisfacción con un mínimo de mantenimiento.

Estos telescopios han sido diseñados para el comprador exigente. El acabado de latón en los telescopios de esta serie junto con la elegante madera de caoba se incorporaron a su diseño para que fueran una pieza decorativa en el hogar, oficina o donde se desee mostrar su estilo antiguo. Además, su telescopio es ideal para la observación terrestre.

Los telescopios Ambassador tienen una garantía limitada de dos años. Para obtener más detalles al respecto, visite nuestro Sitio Web www.celestron.com.

Algunas de las características estándar de los telescopios Ambassador son:

- Elementos ópticos de vidrio totalmente recubiertos para obtener imágenes claras y nítidas.
- Tubo óptico y guarniciones de latón. Las pequeñas imperfecciones en la superficie son normales en este metal.
- Fácil funcionamiento, soporte rígido altacimutal con indicador simple para localizar objetos.
- Accesorios estándar proporcionados para la observación terrestre.
- Se puede utilizar para la observación astronómica ocasional.

Su telescopio está diseñado para brindarle años de entretenimiento y observaciones gratificantes. Sin embargo, sería conveniente informarse primero sobre el uso del mismo para proteger su equipo y a sí mismo.

Advertencia



- **Nunca mire directamente al sol sin protegerse sus ojos o con un telescopio (a no ser que tenga un filtro solar apropiado). Los ojos pueden sufrir daños permanentes e irreversibles.**
- **Nunca utilice su telescopio para proyectar una imagen del sol en una superficie. La acumulación interna de calor puede dañar el telescopio y los accesorios incorporados.**
- **Nunca utilice un filtro solar ocular o un prisma Herschel. La acumulación interna de calor dentro del telescopio puede producir que estos dispositivos se agrieten o rompan, dejando pasar la luz solar sin filtrar directamente al ojo.**
- **No deje el telescopio sin supervisar donde haya niños o adultos presentes que no tengan experiencia con los procedimientos adecuados de funcionamiento de su telescopio.**

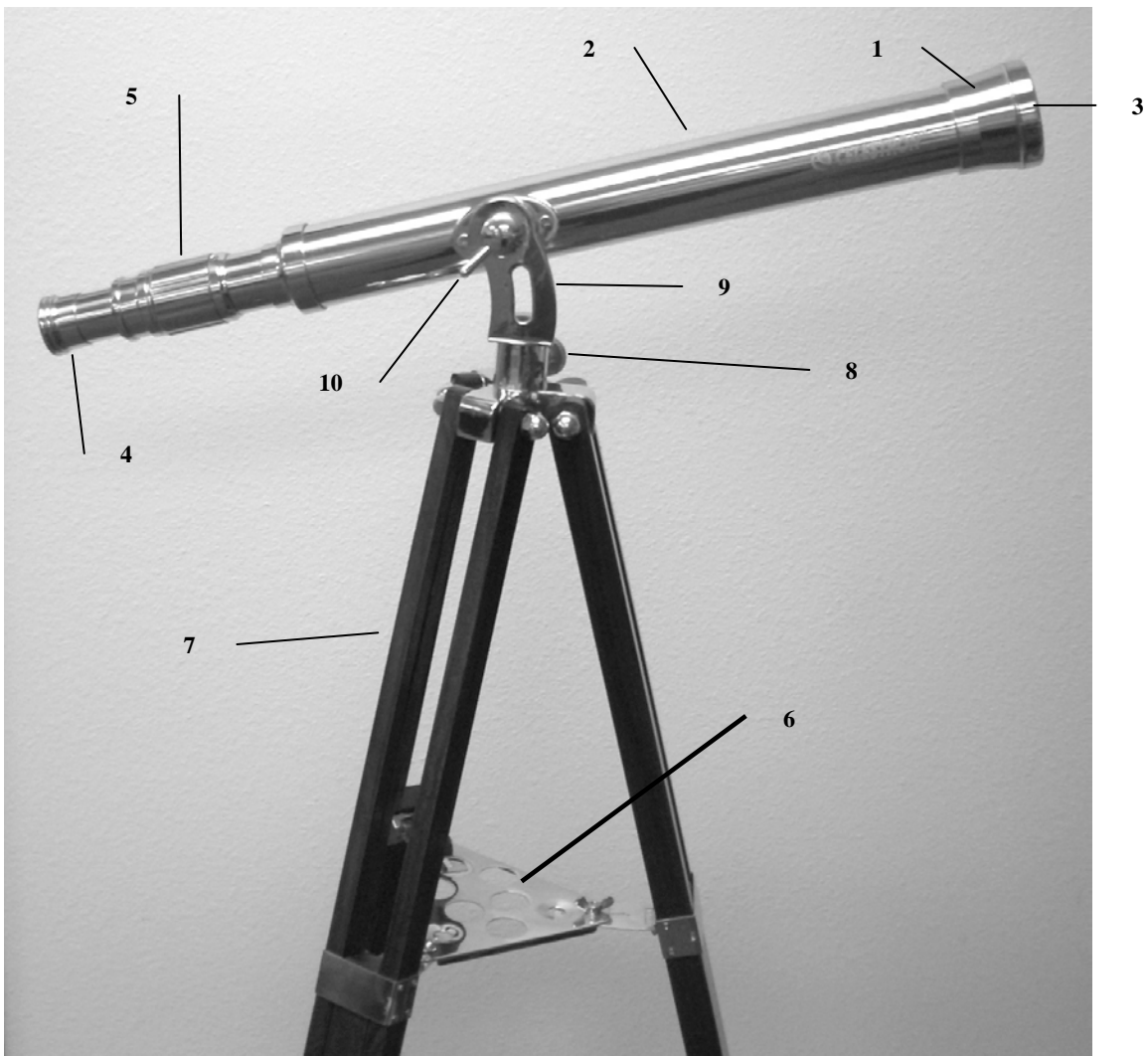


Figura 1-1 Ambassador 50AZ Refractor

1.	Objetivo	6.	Bandeja de latón del trípode para accesorios
2.	Tubo óptico del telescopio	7.	Trípode (3 patas)
3.	Tapa de la lente	8.	Botón de bloqueo acimutal
4.	Ocular	9.	Soporte altacimutal
5.	Aro de enfoque	10.	Bloqueador de altura

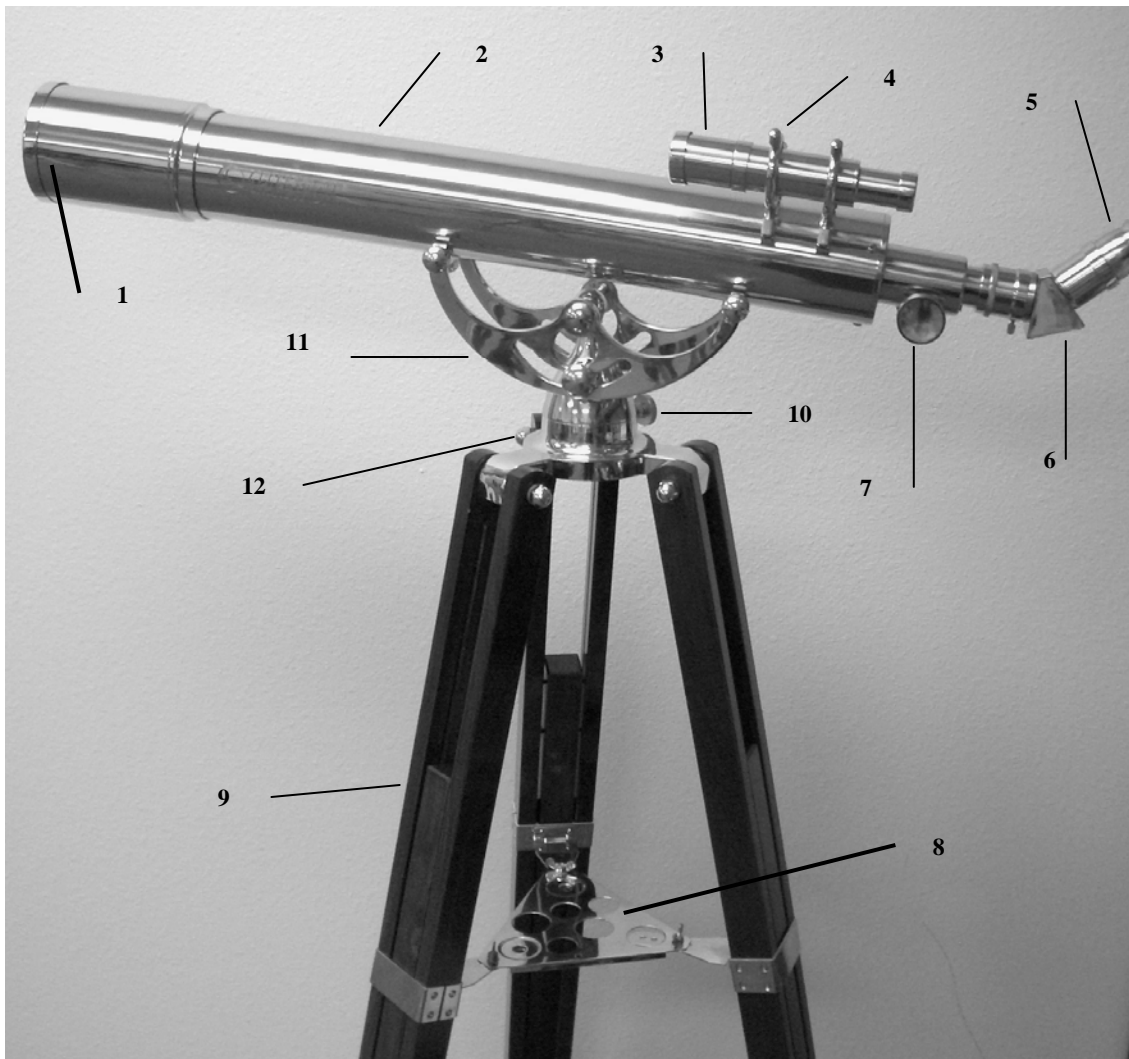


Figura 1-2 Ambassador 80AZ Refractor

1.	Objetivo	7.	Botón de enfoque
2.	Tubo óptico del telescopio	8.	Bandeja de latón del trípode para accesorios
3.	Telescopio buscador	9.	Trípode (3 patas)
4.	Soporte del telescopio buscador	10.	Botón de bloqueo acimutal
5.	Ocular	11.	Soporte altacimutal
6.	Lente a 90° de imagen directa	12.	Bloqueador de altura

Esta sección presenta las instrucciones para ensamblar su telescopio Ambassador. Como algunas piezas son pesadas (especialmente en el modelo de 80 mm) se recomienda que pida ayuda de otra persona para ensamblar el telescopio para no rayar el acabado del latón. Varias piezas del telescopio vienen envueltas con un material protector, favor desenvuélvalas con cuidado.

Cada telescopio Ambassador viene en una caja. Las piezas que se incluyen en la caja de todos los modelos son: tubo óptico con el soporte altacimutal conectado, trípode de tres patas, bandeja del trípode hecha de latón ideal para accesorio y manual de instrucciones.

Además, el modelo de 80 mm contiene: un ocular, una lente a 90° de imagen directa, el telescopio buscador de imagen directa y soportes del telescopio buscador con piezas de montaje.

Necesitará las siguientes herramientas para el ensamblaje: atornillador pequeño de cabeza Phillips y dos llaves ajustables pequeñas o llaves de cabeza abierta o cabeza de caja de 16 mm (5/8 pulgadas).

Cómo ensamblar el trípode

1. Retire las tres patas del trípode (Figura 2-1 del cartón). Las patas del telescopio de 50 mm son similares a las del modelo de 80 mm pero ligeramente más cortas en longitud y menos anchas.
2. Afloje (girando hacia la izquierda) el botón de bloqueo de la pata situado en la parte inferior del trípode (Figura 2-2) y después tire de la pieza central de madera unos 254 mm (10 pulgadas), lo cual facilitará el ensamblaje. A continuación apriete el botón de bloqueo de la pata del trípode. Haga lo mismo para las otras dos patas del trípode. La Figura 2-3 muestra como se mira la parte superior de la pata del trípode.
3. A continuación, instalaremos la bandeja para accesorios hecha de latón del trípode en las bisagras de las patas del mismo (en la Figura 2-4 se muestra la imagen de la bisagra). Note que las bisagras en el modelo de 80 mm (en la foto) tiene cinco orificios pero el modelo de 50 mm tiene una larga ranura. La bisagra de cada una de las tres patas estará hacia adentro.
4. La bandeja para accesorios se muestra en la Figura 2-5 junto con tres tuercas de mariposa y tres tornillos con arandelas. La imagen muestra las tuercas de mariposa sin los tornillos y las arandelas (estas piezas vienen enroscadas juntas para que no se pierdan, pero tienen que separarse para hacer el ensamblaje).
5. La bandeja para accesorios tiene que colocarse boca arriba como se muestra y las tuercas de mariposa deben ponerse encima con el tornillo (y arandela unida al mismo) enroscado dentro de las tuercas de mariposa desde la parte inferior de la bandeja. Deberá insertar las tuercas de mariposa y los tornillos y arandelas inicialmente en el segundo orificio sobre la bandeja para accesorios (en el modelo de 80 mm) desde la pata del trípode. En el modelo de 50 mm conecte los tornillos con las arandelas hacia la mitad de la ranura en la bisagra del trípode. Si fuera necesario, en el futuro puede repositonar el montaje de la bandeja en la bisagra.



Figura 2-1

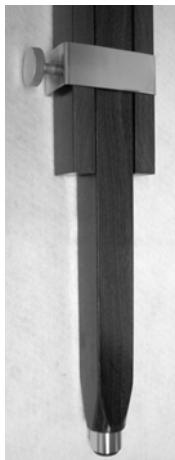


Figura 2-2



Figura 2-3



Figura 2-4

6. La Figura 2-6 muestra una bisagra de la pata del trípode lista para colocarse en la bandeja de accesorios. Inicialmente puede apretar el tornillo con la arandela a mano, pero una vez que las tres bisagras estén colocadas en la bandeja, apriételo con un atornillador de cabeza Phillips mientras que sujeta las tuercas de mariposa con la otra mano.
7. Una vez colocadas y sujetas las bisagras a la bandeja, se verán como muestra la Figura 2-7.



Figura 2-5

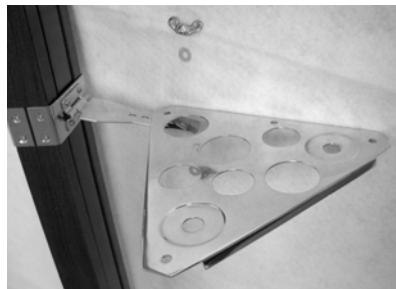


Figura 2-6



Figure 2-7

8. Ya puede extender las patas del trípode hasta la altura deseada. En el nivel más bajo, la altura del modelo de 50 mm es aproximadamente de 89 cm (35 pulgadas) y se extiende hasta 152 cm (60 pulgadas). En el modelo de 80 mm, el nivel más bajo de altura es de 109 cm (43 pulgadas) y se extiende 183 cm (72 pulgadas). Los botones de la altura que se encuentran en la parte inferior de cada pata del trípode (Figura 2-2) se desbloquean al girarlos hacia la izquierda y tirando de las patas hacia afuera hasta conseguir la altura deseada; a continuación bloquee el botón de nuevo.
9. El trípode estará más estable en alturas más bajas, pero deberá ajustarse de acuerdo a lo que sea más cómodo.
10. Si lo desea, puede colocar más oculares de 32 mm (1,25 pulgadas) en los orificios de la bandeja del modelo de 80 mm.

Conexión del telescopio y el montaje al trípode

El tubo óptico del telescopio viene conectado al soporte altacimutal. Deberá conectar este ensamblaje al trípode que acaba de ensamblar. En este punto es donde es conveniente que dos personas trabajen en el montaje, ya que las patas del trípode pueden moverse fácilmente al alinear los pernos que se ajustan entre la parte superior de las patas y a través de la parte más baja del montaje. Las imágenes muestran el uso del modelo de 80 mm pero el de 50 mm es similar a no ser que se indique.



Figura 2-8



Figura 2-9



Figura 2-10



Figura 2-11

1. Ponga las patas del trípode en el suelo.
2. Coloque el tubo óptico y el montaje entre dos de las patas del trípode como se muestra en la Figura 2-8.
3. Los orificios del montaje (hacia la parte inferior como muestra la Figura 2-9) encajarán entre las patas del trípode y se unirán con el ensamblaje de pernos de las mismas (vea la Figura 2-10).
4. Retire el perno y las arandelas del ensamblaje de cada pata. Note que el modelo de 50 mm no tiene arandelas en la parte interior de las patas del trípode.
5. Coloque una aleta del montaje entre una pata del trípode. Ahora, introduzca uno de los pernos con su arandela por un lado de la pata y a través de la aleta del montaje y extráigalo por el otro lado de la pata. Asegúrese de que todas las arandelas estén colocadas como lo estaban originalmente en las patas del trípode. Ahora apriete los pernos con las arandelas.
6. Cuando todos los ensamblajes de pernos de las patas del trípode estén ajustados en el montaje, se verán como se muestra en la Figura 2-11.

Cómo mover el telescopio manualmente

El montaje del Ambassador es fácil de mover hacia donde desee apuntarlo.

El movimiento hacia arriba y abajo (altitud) se controla con el bloqueador de altitud (Figura 2-12). El bloqueador de altitud se afloja al girarlo hacia la izquierda y cuando esté en la posición deseada se aprieta al girarlo hacia la derecha.

Nota: Antes de apretar completamente el bloqueador de altitud en el modelo de 80 mm, el objeto que se esté buscando deberá localizarse en el telescopio buscador.



Figura 2-12



Figura 2-13

El movimiento de lado a lado (acimutal) está controlado por el botón de bloqueo azimutal (Figura 2-13). Afloje el botón de bloqueo azimutal al girarlo hacia la izquierda y cuando se encuentre en el lugar deseado, apriete el botón de bloqueo.

Cuando ambos botones están aflojados, podrá encontrar más fácilmente los objetos que quiera ver y después puede bloquear los controles. Las imágenes que se muestran son las del modelo de 50 mm, pero las del modelo de 80 mm son similares.

Nota: Si el movimiento hacia arriba y abajo (altitud) parece ser difícil o demasiado fácil, puede ajustar la tensión. Para hacer esto, puede apretar o aflojar los botones redondos (uno a cada lado del montaje directamente uno frente al otro). Para comenzar, asegúrese de que los botones de bloqueo en ambos ejes están apretados. Sujete ambos botones redondos al mismo tiempo y gírelos ligeramente para aflojarlos o apretarlos. A continuación, suelte el bloqueador de altitud y compruebe la tensión. Continúe ajustando los botones hasta que la tensión sea la apropiada para usted. El botón redondo está situado directamente encima del bloqueador de altitud como se puede apreciar en la Figura 2-12a.



Figura 2-12a

Instalación y alineación del telescopio buscador: Modelo de 80 mm

Un telescopio buscador es un pequeño telescopio montado sobre el telescopio principal para que sea más fácil localizar objetos.

Para instalar el telescopio buscador:

1. La Figura 2-14 muestra el telescopio buscador (en la parte superior) y los soportes con los tornillos de montaje.
2. Coloque los soportes en los orificios del tubo óptico (Figura 2-15) con los tornillos y apriételes. Los soportes colocados se muestran en la Figura 2-16.
3. Saque las tapas de las lentes de ambos extremos del telescopio buscador.
4. Coloque el telescopio buscador dentro de los soportes del montaje con la lente de mayor diámetro (extremo del objetivo) hacia la parte anterior (lente del objetivo) del tubo óptico. Tendrá que extraer los tornillos de los soportes para que el telescopio buscador encaje dentro de los mismos.
5. El telescopio buscador deberá encajar dentro de los soportes donde los tornillos puedan apretarse dentro de los pequeños orificios del telescopio buscador. A continuación, apriete a mano los tornillos.

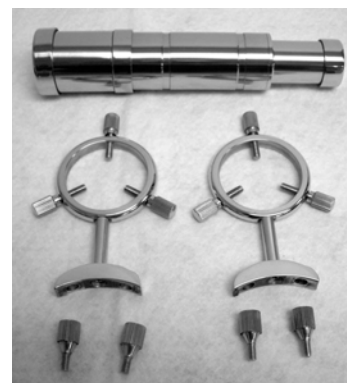


Figura 2-14

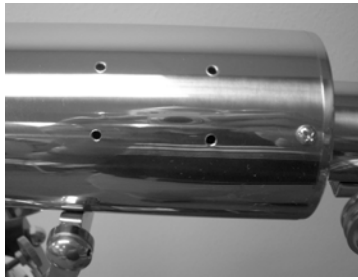


Figura 2-15

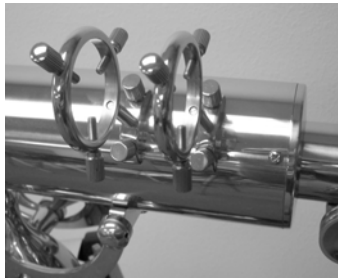


Figura 2-16



Figura 2-17

Para alinear el telescopio buscador con el telescopio principal:

1. Retire la tapa de la lente anterior del telescopio y ambas tapas del buscador. Localice un objeto distante durante el día (por lo menos a 0,4 km de distancia) y céntrelo en el telescopio principal.
2. Mire por el telescopio buscador (el extremo del ocular del buscador que tiene la lente de menor diámetro) y fíjese en la posición del mismo objeto.
3. Sin mover el telescopio principal, gire los tornillos de los soportes del telescopio buscador hasta que éste quede centrado en el objeto elegido con el telescopio principal. Es posible que haya que intentar esto varias veces para centrarlo de forma apropiada a medida que afloja un tornillo y aprieta otro en cada soporte.
4. Si la imagen del telescopio buscador no es suficiente nítida (está desenfocada), tendrá que ajustar el buscador de forma que pueda obtener una imagen bien enfocada. Localice el aro del telescopio buscador (entre el objetivo y el soporte del buscador) y gírelo hacia la izquierda para aflojarlo unas cuantas vueltas. A continuación, gire la pieza anterior del objetivo hacia adentro o afuera hasta conseguir un buen enfoque. Por último, apriete el aro.

Instalación de la lente a 90° y el ocular: modelo de 80 mm

La lente a 90° es un prisma que desvía la luz en un ángulo de 45° hacia la trayectoria de la luz del telescopio. Esto le permite observar en una posición que es más cómoda que si mira directamente. Esta lente a 90° es un modelo de imagen directa que corrige la imagen a su posición adecuada y la orienta correctamente de izquierda a derecha, lo cual permite que su uso sea más fácil para las observaciones terrestres. También, la lente a 90° puede rotarse a una posición más favorable para usted. Para instalar la lente a 90° y el ocular:

1. Retire la tapa de la parte posterior del telescopio girándola hacia la izquierda (Figura 2-18).
2. Introduzca el pequeño tambor de la lente a 90° en la abertura posterior del telescopio. Asegúrese de que el tornillo del telescopio no sobresalga hacia la abertura antes de la instalación. Una vez introducida la lente a 90°, apriete el tornillo para sujetarla en su lugar (Figura 2-19).
3. Coloque el tambor del ocular dentro de la lente a 90° y apriete el tornillo de la misma para sujetar el ocular en su lugar (Figura 2-20). Al hacer esto, asegúrese de que el tornillo no sobresalga hacia la lente a 90° antes de introducir el ocular.
4. El ocular estándar puede cambiarse por otros oculares opcionales (de mayor o menor potencia) al invertir el procedimiento en el paso 3 de las instrucciones anteriores.

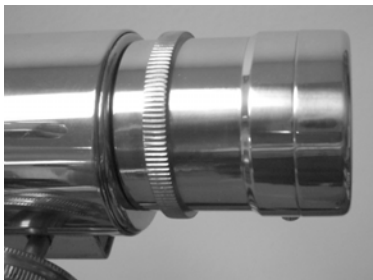


Figura 2-18



Figura 2-19



Figura 2-20

Información básica sobre el telescopio

Un telescopio es un instrumento que absorbe y enfoca la luz. La naturaleza del diseño óptico determina cómo se enfoca la luz. El telescopio refractor utiliza lentes en su diseño óptico.

El telescopio refractor fue diseñado a principios del siglo XVII y es el telescopio más antiguo. Su nombre viene del método que utiliza para enfocar los rayos entrantes de la luz. El refractor utiliza una lente para refractar los rayos entrantes de los rayos de luz y de ahí toma su nombre (vea la Figura 3-1). Los primeros que se diseñaron utilizaban lentes de un único elemento. Sin embargo, la lente única actúa como un prisma que convierte la luz en los colores del arco iris, un fenómeno conocido como aberración cromática. Para solucionar este problema, se ha introducido la lente de dos elementos, conocida como lente acromática. Cada elemento tiene un índice diferente de refracción que permite un enfoque en el mismo punto de dos longitudes diferentes de onda de la luz. La mayoría de las lentes de dos elementos, por lo general hechas de vidrio con y sin plomo, se corrigen para la luz roja y verde. Es posible que la luz azul se enfoque en un punto ligeramente diferente.

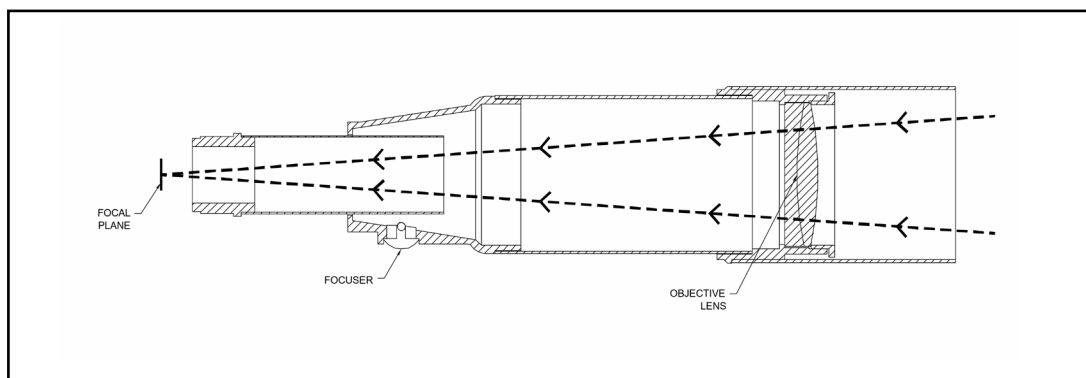


Figura 3-1

Ilustración de la trayectoria de la luz del diseño óptico refractor

Enfoque

En el modelo Ambassador de 80 mm, simplemente gire el botón de enfoque situado en la parte anterior de la lente a 90° (vea la Figura 3-2). Cuando se gira el botón hacia la derecha, se puede enfocar un objeto que está más lejos que el que está observando actualmente. Cuando se gira el botón hacia la izquierda, se puede enfocar un objeto que está más cerca que el que está observando actualmente.

En el modelo Ambassador de 50 mm, simplemente gire el gran aro estriado que se muestra en la Figura 3-3. Al girar el aro de enfoque hacia la izquierda podrá enfocar un objeto que está más cerca del que está observando. Cuando se gira el aro de enfoque hacia la derecha, se puede enfocar un objeto que está más lejos del que está observando actualmente. Recuerde retirar la tapa anterior del objetivo antes de utilizar el telescopio.

Nota: Si usted usa lentes de corrección (específicamente gafas), le recomendamos quitárselas al hacer observaciones por el telescopio. Si tiene astigmatismo, le recomendamos que use sus lentes graduadas en todo momento.

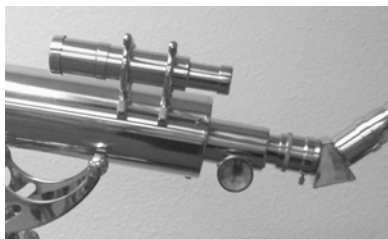


Figura 3-2



Figura 3-3

Cálculo del aumento

El modelo Ambassador 50AZ tiene un ocular fijo con un aumento (potencia) de 16x. Este modelo fue diseñado para hacer observaciones terrestres y esta potencia es adecuada para todo uso en general.

El modelo Ambassador 80AZ viene con un ocular de 25 mm que tiene un aumento (potencia) de 32x. Puede comprar oculares opcionales (sin acabado de latón) para darle mayor o menor potencia. En la página Web de Celestron puede ver lo que se encuentra disponible.

Puede cambiar la potencia de su telescopio de 80 mm simplemente cambiando el ocular. Para determinar el aumento de su telescopio, divida la distancia focal del telescopio por la del ocular utilizado. La fórmula de esta ecuación es:

$$\text{Aumento} = \frac{\text{Distancia focal del telescopio (mm)}}{\text{Distancia focal del ocular (mm)}}$$

Por ejemplo, digamos que está utilizando el ocular de 25 mm que se incluye con su telescopio. Para calcular el aumento, simplemente divida la distancia focal de su telescopio (el Ambassador 80AZ de este ejemplo tiene una distancia focal de 800 mm) por la del ocular de 25 mm. El resultado de dividir 800 entre 25 es un aumento de 32x.

Aunque la potencia es variable, cada instrumento en un firmamento de visibilidad normal tiene un límite del máximo aumento útil. La regla general es que una potencia de 60 se puede utilizar por cada pulgada de apertura. Por ejemplo, el telescopio Ambassador 80AZ es de 80 mm (3,1 pulgadas) de diámetro. Multiplicando 3,1 por 60 le da un máximo aumento útil de 186 en potencia. Aunque esto es el aumento máximo útil, la mayoría de las observaciones se realizan a una menor potencia.

Nota sobre el uso de potencias mayores: Las potencias mayores se utilizan principalmente para realizar observaciones lunares y, algunas veces, planetarias donde puede aumentar considerablemente la imagen, pero recuerde que el contraste y el brillo serán muy bajos debido al gran aumento. Para obtener imágenes nítidas con los más altos niveles de contraste, utilice potencias menores.

Consejos generales para las observaciones

Al utilizar cualquier instrumento óptico, hay algunas cosas que se deben recordar para conseguir la mejor imagen posible.

- Nunca mire a través del cristal de ventanas. El cristal que se utiliza en las ventanas de edificios es ópticamente imperfecto y, como resultado de ello, puede variar en grosor en diferentes partes de una ventana. Esta variación afectará el poder o no enfocar su telescopio. En la mayoría de los casos no podrá conseguir una imagen verdaderamente nítida y quizás vea doble imagen.
- Nunca mire a través de los objetos o por encima de los mismos si estos producen ondas de calor. Esto incluye estacionamientos descubiertos de asfalto en los días calurosos de verano o los tejados de edificios.
- En los días nublados, con niebla o neblina puede también ser difícil ver objetos terrestres con el telescopio. La visualización detallada bajo estas circunstancias es extremadamente reducida.
- Si usted usa lentes con corrección (específicamente gafas), le recomendamos quitárselas cuando utilice el ocular acoplado al telescopio. Si tiene astigmatismo, le recomendamos que use sus lentes graduadas en todo momento.

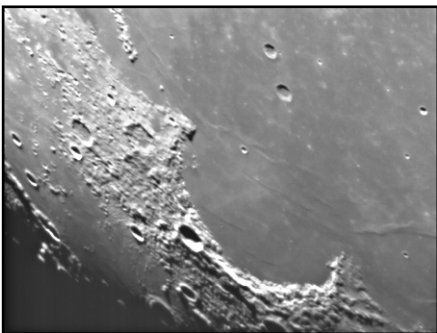


Observación de cuerpos celestes

Los telescopios Ambassador se diseñaron principalmente para realizar observaciones terrestres. No obstante, si desea mirar el firmamento, podrá hacer observaciones de la Luna y los planetas fácilmente. Si tiene interés en localizar algunos objetos en el firmamento profundo (galaxias, nebulosas o cúmulos estelares) los tendrá que buscar por el método “salto de estrellas” (especialmente con el modelo de 80 mm). El “salto de estrellas” es una técnica que ayuda a localizar objetos en el firmamento profundo y puede informarse sobre su uso en la Web.

Una limitación de la observación astronómica con los telescopios Ambassador es que tienen un margen de observación limitado del firmamento, ya que no se pueden observar objetos a menor distancia de 30° desde el cenit con el modelo de 50 mm y a aproximadamente 45° con el modelo de 80 mm. Esta limitación se debe al antiguo diseño mecánico del soporte altacimutal.

Observación de la luna



Con frecuencia es tentador mirar a la luna llena. Aquí vemos que la cara está totalmente iluminada y su resplandor puede ser abrumador. Además de eso, durante esta fase es difícil apreciar poco o nada de contraste.

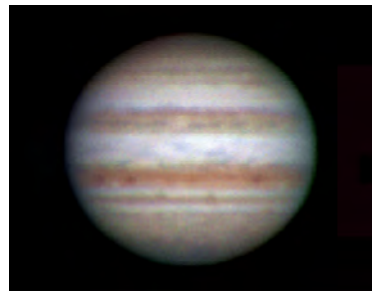
Uno de los mejores momentos para observar la luna es durante sus fases parciales, tales como el cuarto creciente o cuarto menguante. Las sombras largas revelan una gran cantidad de detalles de la superficie lunar. A baja potencia se verá casi todo el disco lunar de una vez. Cambie a oculares ópticos de mayor potencia (aumento) con el modelo de 80 mm para enfocar en un área más pequeña.

Sugerencias para observar la luna

Para agregar contraste y poder observar más detalles en la superficie lunar, utilice los filtros opcionales. Un filtro amarillo funciona bien en la mejora del contraste mientras que una densidad neutral o filtro de polarización reducirá el brillo y el resplandor de la superficie.

Observación de los planetas

Otros cuerpos celestes fascinantes son los cinco planetas a simple vista. Venus se puede ver a través de sus fases, que son parecidas a las de la luna. Marte puede revelar una multitud de detalles sobre su superficie y uno, si no ambos, de sus casquetes polares. Podrá ver los cinturones nubosos de Júpiter y la gran Mancha roja (si son visibles en ese momento). Además, va a poder ver las lunas de Júpiter en sus órbitas alrededor del gigante planeta. Saturno, con sus extraordinarios anillos, es fácilmente visible con potencia moderada, al igual que Mercurio.



Consejos para las observaciones planetarias

- Recuerde que las condiciones atmosféricas son por lo general el factor de limitación en la visibilidad detallada de los planetas. Por ello, evite hacer observaciones de los planetas cuando estos estén bajos en el horizonte o cuando estén directamente encima de un emisor de calor, tal como la superficie de un tejado o chimenea.
- Para agregar contraste y poder observar más detalles en la superficie de los planetas, utilice los filtros oculares opcionales de Celestron.



Mantenimiento del telescopio

Aunque su telescopio necesita poco mantenimiento, hay algunas cosas que debe recordar para que su telescopio funcione de forma óptima.

Cuidado y limpieza de las piezas mecánicas

Para mantener limpio y brillante el acabado de latón, utilice un limpiador especial para dicho metal. Para la madera del trípode, utilice cera para muebles. Siga las instrucciones indicadas en los limpiadores.

Cuidado y limpieza de las lentes ópticas

En ocasiones, verá que se ha acumulado polvo o humedad en el objetivo u ocular de su telescopio. Tenga cuidado al limpiar cualquier instrumento para no dañar el sistema óptico.

Si se acumula polvo en el sistema óptico, límpielo con un cepillo (hecho de pelo de camello) o con aire comprimido. Pulverice en diagonal la superficie de vidrio durante aproximadamente dos o cuatro segundos. A continuación, utilice una solución de limpieza para lentes ópticas y un pañuelo de papel para limpiarlo. Ponga solución al pañuelo de papel y limpie con éste el sistema óptico. Presione ligeramente desde el centro de la lente (o espejo) hacia la parte exterior. **¡NO restriegue en círculos!**

Puede utilizar un limpiador de lentes fabricado o hacer la mezcla usted mismo. Una buena solución de limpieza es alcohol isopropílico mezclado con agua destilada. La solución deberá contener el 60% de alcohol isopropílico y el 40% de agua destilada. También puede utilizar jabón de vajillas diluido con agua (un par de gotas por cada litro de agua).

Para reducir al mínimo la necesidad de limpiar su telescopio, vuelva a poner todas las cubiertas de las lentes al acabar de utilizarlo. Como los elementos NO están sellados, las cubiertas deberán colocarse sobre las aberturas cuando no se esté utilizando el telescopio. Esto evitará que entren contaminantes en el tubo óptico. Los ajustes internos y la limpieza interna deberán realizarse solamente por el departamento de reparaciones de Celestron. Si su telescopio necesita una limpieza interna, llame a la fábrica para obtener un número de autorización para su devolución y un presupuesto del coste.

ESPECIFICACIONES DEL AMBASSADOR

Especificaciones	Modelo Nº 21033	Modelo Nº 21034
	Ambassador 50AZ	Ambassador 80AZ
Diseño óptico	Refractor	Refractor
Apertura	50 mm (2,0 pulg.)	80 mm (3,1 pulg.)
Distancia focal	360 mm	800 mm
Radio focal	f/7,2	f/10,0
Recubrimiento óptico	Totalmente recubierto	Totalmente recubierto
Telescopio buscador	N/D	Imagen directa 6x30
Lente a 90°	N/D	Imagen directa de 45°, 32 mm (1,25 pulg.)
Oculares	H22 mm (16x) incorporado	P25 mm 1.25" (32x)
Campo visual (FOV) aparente con ocular estándar	25°	45°
Campo visual angular con ocular estándar	1,6°	1,4°
Campo visual lineal con ocular estándar (pies a 1.000 yardas / metros a 1.000 m)	84/28	74/25
Enfoque de cerca (pies / metros)	50/15	100/31
Soporte	Altacimutal	Altacimutal
Bloqueador de altura	Sí	Sí
Botón de bloqueo acimutal	Sí	Sí
Longitud del tubo óptico	61 cm (24 pulg.)	84 cm (33 pulg.)
Peso del telescopio (libras / kilogramos)	12,5 / 5,7	28,5 / 12,9

Nota: las especificaciones están sujetas a cambios sin notificación u obligación.



Télescopes en laiton série Ambassador™

GUIDE DE L'UTILISATEUR

- *Ambassador 50AZ n° 21033*
- *Ambassador 80AZ n° 21034*

Table des matières

INTRODUCTION	3
ASSEMBLAGE	6
Installation du trépied	6
Fixation du télescope et de la monture au trépied	6
Déplacement manuel du télescope	7
Installation et alignement du chercheur – modèle de 80 mm	8
Installation du renvoi coudé et des oculaires – modèle de 80 mm	8
NOTIONS FONDAMENTALES SUR LES TÉLESCOPES	10
Mise au point	10
Calcul du grossissement	11
Conseils généraux d’observation	11
OBSERVATION CÉLESTE	12
Observation de la Lune	12
Observation des planètes	12
ENTRETIEN DU TÉLESCOPE	13
Entretien et nettoyage des pièces mécaniques	13
Entretien et nettoyage des éléments optiques	13
SPÉCIFICATIONS DE L’AMBASSADOR	13



Nous vous félicitons d'avoir fait l'acquisition d'un télescope Ambassador ! La série Ambassador est fabriquée à partir de matériaux de qualité supérieure qui en assurent la stabilité et la durabilité. Tous ces éléments réunis font de ce télescope un instrument capable de vous donner une vie entière de satisfaction avec un entretien minimum.

Ces télescopes ont été spécifiquement conçus pour des acheteurs avertis. Le fini en laiton de la série Ambassador, ainsi que le bois d'acajou attrayant utilisé pour le trépied, sont destinés à faire de ce télescope un objet décoratif aussi bien chez soi, au bureau, que partout ailleurs où son aspect rétro sera mis en valeur. Il s'agit en outre d'un télescope parfaitement adapté aux observations terrestres.

Les télescopes Ambassador bénéficient d'une garantie limitée de deux ans. Pour de plus amples informations, consultez notre site web sur www.celestron.com.

Voici quelques-unes des caractéristiques standard de l'Ambassador :

- Éléments optiques en verre entièrement traité pour des images claires et nettes.
- Tube optique et accessoires en laiton. Veuillez noter que la présence d'imperfections mineures en surface est normale avec ce métal.
- Monture altazimutale rigide se manœuvrant facilement avec pointage simple pour le repérage d'objets.
- Accessoires standard livrés avec, pour l'observation terrestre.
- Peut s'utiliser dans le cadre d'une observation astronomique ordinaire.

Votre télescope a été conçu pour vous procurer des années de plaisir et d'observations enrichissantes. Cependant, avant de commencer à l'utiliser, il vous faut prendre en compte certaines considérations destinées à assurer votre sécurité tout comme à protéger votre matériel.

Avertissement



- **Ne regardez jamais directement le Soleil à l'œil nu ou avec un télescope (sauf s'il est équipé d'un filtre solaire adapté). Des lésions oculaires permanentes et irréversibles risqueraient de survenir.**
- **N'utilisez jamais votre télescope pour projeter une image du Soleil sur une surface quelconque. L'accumulation de chaleur à l'intérieur peut endommager le télescope et tout accessoire fixé sur celui-ci.**
- **N'utilisez jamais le filtre solaire d'un oculaire ou une cale de Herschel. En raison de l'accumulation de chaleur à l'intérieur du télescope, ces dispositifs peuvent se fissurer ou se casser et laisser la lumière du Soleil non filtrée atteindre les yeux.**
- **Ne laissez jamais le télescope seul en présence d'enfants ou d'adultes qui n'en connaissent pas forcément les procédures de fonctionnement habituelles.**

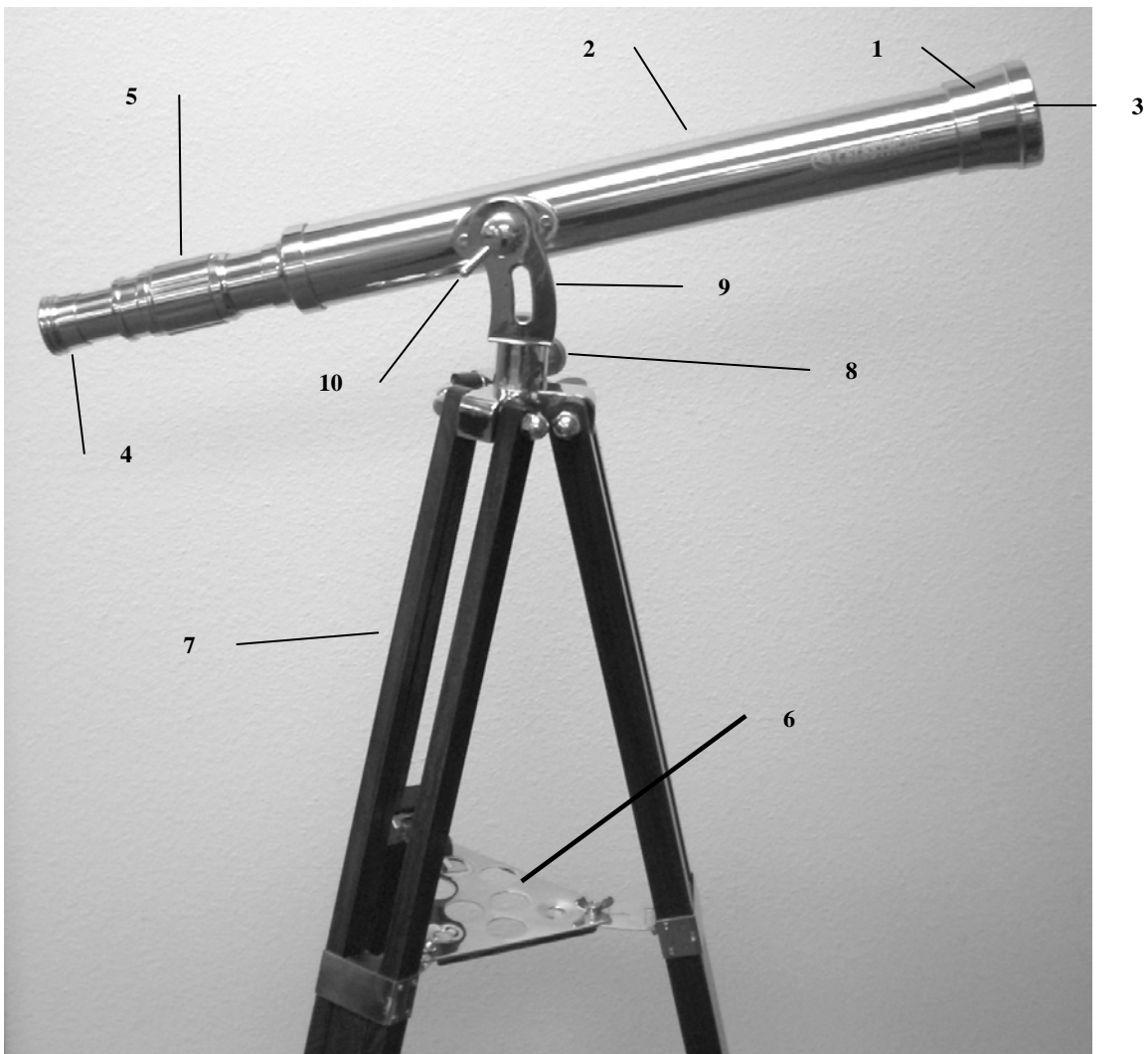


Figure 1-1 Lunette astronomique Ambassador 50AZ

1.	Objectif	6.	Tablette à accessoires du trépied/Support
2.	Tube optique du télescope	7.	Trépied (3 pieds)
3.	Cache	8.	Bouton de blocage de l'azimut
4.	Oculaire	9.	Monture altazimutale
5.	Bague de mise au point	10.	Verrouillage de l'altitude

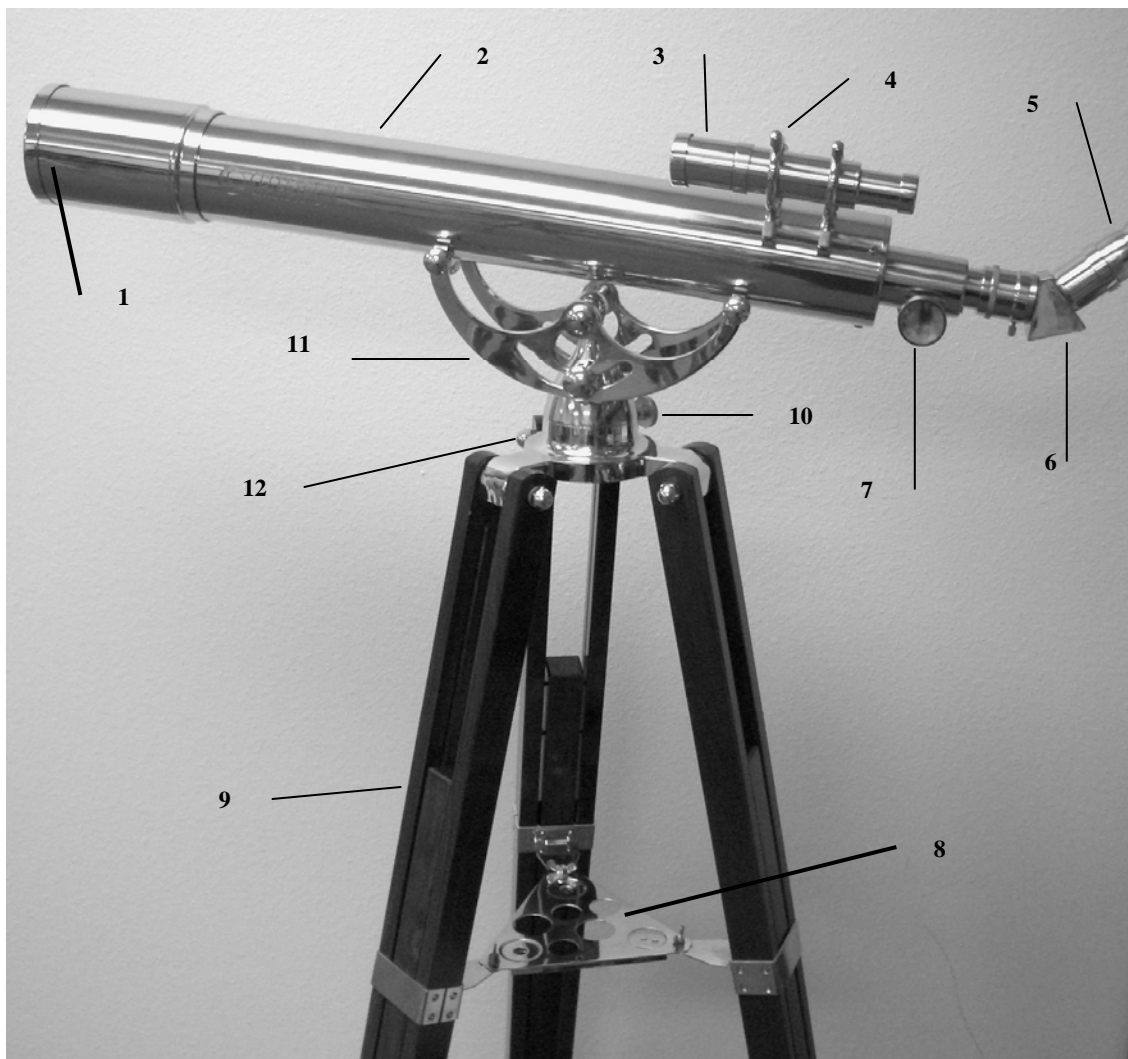


Figure 1-2 Lunette astronomique Ambassador 80AZ

1.	Objectif	7.	Bouton de mise au point
2.	Tube optique du télescope	8.	Tablette à accessoires du trépied/Support
3.	Chercheur	9.	Trépied (3 pieds)
4.	Support du chercheur	10.	Bouton de blocage de l'azimut
5.	Oculaire	11.	Monture altazimutale
6.	Renvoi coudé redresseur d'images	12.	Verrouillage de l'altitude

Ce chapitre explique comment assembler votre télescope Ambassador. Certains des composants étant particulièrement lourds (surtout sur le modèle de 80 mm), il est recommandé de monter le télescope à deux personnes afin de ne pas endommager le fini en laiton. Les différentes pièces du télescope sont emballées avec des matériaux de protection qu'il vous faudra retirer avec précaution.

Chaque Ambassador est livré dans un carton. Tous les modèles sont livrés avec les éléments suivants : un tube optique avec monture altazimutale, trois pieds constituant le trépied, une tablette à accessoires/un support pour trépied et un guide de l'utilisateur.

Le modèle de 80 mm vient en plus avec un oculaire, un renvoi coudé redresseur d'images, un chercheur redresseur d'image et des supports avec visserie de montage pour le chercheur.

Il vous faut prévoir les outils suivants : un petit tournevis cruciforme et deux petites clés à molette ou à fourche/polygonales de 16 mm (5/8 po).

Installation du trépied

1. Sortez les trois pieds du trépied (Figure 2-1) du carton. Les pieds du télescope de 50 mm sont similaires à ceux du modèle de 80 mm tout en étant légèrement plus courts et moins larges.
2. Dévissez (en tournant dans le sens inverse des aiguilles d'une montre) la molette de serrage de chacun des pieds du trépied située à la base du trépied (Figure 2-2), puis sortez la pièce centrale en bois sur 254 mm environ (10 po) pour faciliter le montage. Resserrez ensuite la molette de serrage du pied. Procédez de la même façon pour les deux autres pieds du trépied. La partie supérieure du pied du trépied est illustrée en Figure 2-3.
3. Ensuite, installez la tablette à accessoires/le support du trépied sur les charnières des pieds du trépied illustrées en Figure 2-4. Veuillez noter que la charnière du modèle de 80 mm possède cinq trous (comme illustré) alors que le modèle de 50 mm est doté à la place d'une grande rainure. Les charnières des trois pieds doivent être positionnées sur l'intérieur.
4. La tablette à accessoires est illustrée en Figure 2-5 avec trois écrous à oreilles et trois vis munies de rondelles. La photo représente les vis et rondelles retirées des écrous à oreilles (ceux-ci sont livrés avec les vis et rondelles fixées dessus afin d'éviter de les perdre, mais il est nécessaire de les retirer pour le montage).
5. La surface de la tablette à accessoires doit être positionnée vers le haut, comme illustré, et les écrous à oreilles viendront se visser sur le dessus. Les vis (munies de leurs rondelles) sont introduites dans les écrous à oreilles en passant par le dessous de la tablette à accessoires. Pour commencer, il faut insérer les écrous à oreilles ainsi que les vis/rondelles dans le 2^{ème} trou de la tablette à accessoires (sur le modèle de 80 mm) en partant du pied du trépied. Sur le modèle de 50 mm, fixez les vis/rondelles jusqu'à mi-course environ dans la rainure de la charnière du trépied. Vous pourrez modifier la position de montage de la tablette à accessoires sur la charnière par la suite si vous le désirez.



Figure 2-1

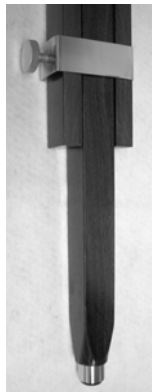


Figure 2-2

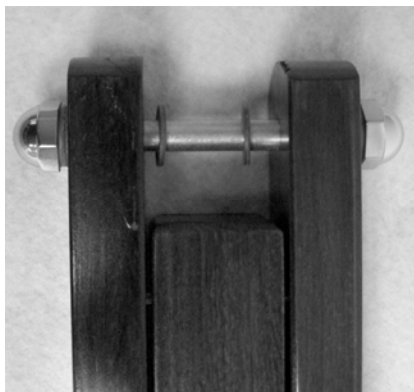


Figure 2-3



Figure 2-4

6. La Figure 2-6 représente une charnière de trépied prête à être vissée à la tablette à accessoires. Vous pouvez au départ serrer la vis et la rondelle, mais une fois que les trois charnières de pied sont fixées à la tablette, utilisez alors un tournevis cruciforme pour finir de serrer les vis tout en maintenant les écrous à oreilles de l'autre main.
7. Une fois que toutes les charnières sont fixées et serrées sur la tablette à accessoires, le trépied se présentera comme en Figure 2-7.

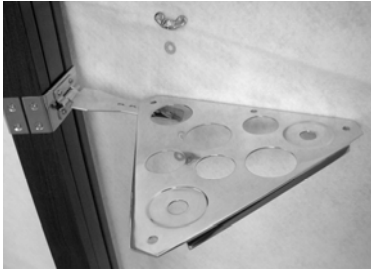


Figure 2-5

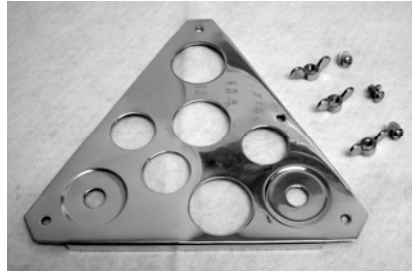


Figure 2-6



Figure 2-7

8. Vous pouvez régler les pieds télescopiques du trépied à la hauteur souhaitée. La hauteur la plus basse du modèle de 50 mm est de 89 cm environ (35 po) et la plus haute de 150 cm environ (60 po). Concernant le modèle de 80 mm, la hauteur la plus basse est de 109 cm environ (43 po) et la plus haute de 183 cm environ (72 po). Déverrouillez les molettes de serrage situées à la base de chacun des pieds (Figure 2-2) en les tournant dans le sens inverse des aiguilles d'une montre et déployez les pieds à hauteur voulue, puis resserrez fermement les molettes.
9. Le trépied offrira une plus grande rigidité et stabilité aux réglages de hauteur les plus bas. Néanmoins, il est nécessaire de le régler à une hauteur vous permettant de l'utiliser de manière confortable.
10. Sur le modèle de 80 mm, vous pouvez utiliser les ouvertures prévues dans la tablette à accessoires pour y ranger des oculaires supplémentaires de 31 mm (1,25 po) (en option).

Fixation du télescope et de la monture au trépied

Le tube optique du télescope est livré fixé sur la monture altazimutale. Il ne vous reste qu'à installer cet ensemble au trépied qui vient d'être monté. Il est particulièrement recommandé d'effectuer cette opération à deux personnes étant donné que les pieds du trépied ont une certaine souplesse et peuvent bouger facilement lors de l'alignement des boulons placés entre la partie supérieure des pieds et la partie inférieure de la monture. Les photos présentées en illustration correspondent au modèle de 80 mm, mais les instructions sont identiques pour le modèle de 50 mm (sauf mention contraire).



Figure 2-8



Figure 2-9



Figure 2-10



Figure 2-11

1. Posez les pieds du trépied sur le sol.
2. Déposez le tube optique et la monture entre deux des pieds du trépied comme illustré en Figure 2-8.
3. Alignez les orifices de la monture (près de la base –Figure 2-9) entre les pieds du trépied avant d'y insérer les boulons prévus à cet effet – voir Figure 2-10.
4. Retirez les boulons et rondelles de chacun des pieds. Veuillez noter que sur le modèle de 50 mm, il n'y a pas de rondelles à l'intérieur des pieds du trépied.
5. Placez l'un des ergots de la monture entre l'un des pieds du trépied. Ensuite, insérez l'un des boulons avec une rondelle dans l'un des côtés du pied en traversant l'ergot de la monture en le faisant ressortir de l'autre côté du pied. Vérifiez que toutes les rondelles sont bien repositionnées dans leur position d'origine sur les pieds. Serrez ensuite les boulons à l'aide d'une clé.
6. Le montage terminé de la monture avec tous les boulons des pieds en place est illustré en Figure 2-11.

Déplacement manuel du télescope

La monture de l'Ambassador est facile à déplacer, quelle que soit la direction dans laquelle on pointe.

La rotation de haut en bas (altitude) est contrôlée par la vis de blocage de l'altitude (Figure 2-12). Desserrez la vis de blocage de l'altitude en la tournant dans le sens inverse des aiguilles d'une montre et, une fois la visée recherchée obtenue, serrez la vis en la tournant dans le sens des aiguilles d'une montre.

Remarque : l'objet que vous recherchez doit apparaître dans le chercheur avant de serrer à fond la vis de blocage de l'altitude sur le modèle de 80 mm.

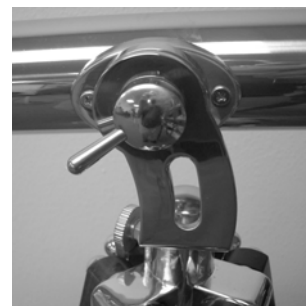


Figure 2-12



Figure 2-13

La rotation latérale (azimut) est contrôlée par le bouton de blocage de l'azimut (Figure 2-13). Desserrez le bouton de blocage de l'azimut en le tournant dans le sens inverse des aiguilles d'une montre puis, une fois parvenu sur le point recherché, serrez-le.

Desserrez ces boutons pour trouver des objets plus facilement, puis resserrez-les. Les illustrations correspondent au modèle de 50 mm. Le 80 mm est similaire.

Remarque : si le déplacement vers le haut/vers le bas (altitude) semble trop raide ou avoir trop de jeu, vous pouvez régler la tension. Pour cela, serrez ou desserrez les boutons ronds (situés de chaque côté de la monture et directement face à face). Vérifiez que les boutons de blocage des deux axes sont serrés pour commencer. Maintenez les deux boutons ronds simultanément et tournez-les légèrement pour les serrer ou desserrer. Relâchez ensuite le blocage de l'altitude et vérifiez la tension. Continuez à régler les boutons jusqu'à ce que la tension vous paraisse satisfaisante. Le bouton rond est situé directement au-dessus du bouton de blocage de l'altitude, comme illustré en Figure 2-12a.



Figure 2-12a

Installation et alignement du chercheur – modèle de 80 mm

Un chercheur est un télescope de très petite taille monté sur le télescope principal pour faciliter la recherche d'objets.

Pour installer le chercheur :

1. La Figure 2-14 représente le chercheur (en haut) ainsi que ses supports et vis de montage.
2. Montez les supports dans les orifices situés sur le tube optique (Figure 2-15) avec les vis de serrage, puis vissez fermement. Les supports une fois montés sont illustrés en Figure 2-16.
3. Retirez les caches des deux extrémités du chercheur.
4. Placez le chercheur dans les supports de montage en positionnant la lentille du plus gros diamètre (extrémité objectif) sur l'avant (lentille) du tube optique. Il est nécessaire pour cela de dévisser les vis des supports afin d'y introduire le chercheur.
5. Le chercheur doit être parfaitement positionné dans les supports avant de ressermer les vis à l'intérieur des petites rainures du chercheur. Vissez ensuite manuellement les vis de serrage.

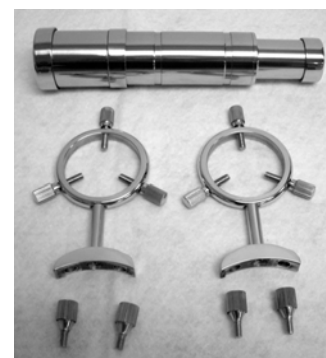


Figure 2-14



Figure 2-15



Figure 2-16



Figure 2-17

Pour aligner le chercheur avec le télescope principal :

1. Retirez le cache avant du télescope et les deux caches du chercheur. Repérez en plein jour un objet distant (à au moins 0,4 km de distance) et centrez-le dans le télescope principal.
2. Regardez dans le chercheur (extrémité oculaire du chercheur avec la lentille du plus petit diamètre) et relevez la position de l'objet en question.
3. Sans déplacer le télescope principal, tournez les vis de serrage situées sur les supports du chercheur jusqu'à ce que le réticule (les fils croisés) du chercheur soit centré sur l'objet choisi avec le télescope principal. Plusieurs tentatives peuvent être nécessaires pour centrer correctement l'objet étant donné qu'il faut desserrer une vis et en serrer une autre sur chacun des supports.
4. Si l'image qui apparaît dans le chercheur n'est pas nette (défocalisée), il faut alors régler le chercheur jusqu'à ce qu'il permette d'obtenir une image parfaite. Tournez la bague du chercheur (entre la lentille de l'objectif et le support du chercheur) dans le sens inverse des aiguilles d'une montre pour la desserrer de quelques tours. Tournez ensuite l'objectif avant jusqu'à parvenir à une mise au point bien nette. Resserrez ensuite la bague.

Installation du renvoi coudé et des oculaires – modèle de 80 mm

Le renvoi coudé est un prisme qui dévie la lumière à un angle de 45° perpendiculairement à la trajectoire de la lumière émanant de la lunette. Ceci permet une position d'observation plus confortable que si vous deviez regarder directement à l'intérieur du tube. Ce renvoi coudé est un redresseur d'images qui corrige l'image en la remettant debout et correctement orientée de gauche à droite, ce qui a l'avantage de faciliter l'observation d'objets terrestres. De plus, le renvoi coudé peut être tourné sur la position qui vous convient le mieux. Pour installer le renvoi coudé et les oculaires :

1. Retirez le cache situé à l'arrière du télescope en le tournant dans le sens inverse des aiguilles d'une montre – Figure 2-18.
2. Insérez le petit barillet du renvoi coudé dans l'ouverture arrière du télescope. Vérifiez que la vis de serrage du télescope ne dépasse pas dans l'ouverture avant l'installation. Une fois le renvoi coudé installé, vissez la vis de serrage pour le maintenir en position – Figure 2-19.
3. Mettez le barillet de l'oculaire dans le renvoi coudé et vissez la vis de serrage du renvoi pour maintenir l'oculaire en position (Figure 2-20). Cette fois encore, veillez à ne pas laisser dépasser la vis dans le renvoi avant d'insérer l'oculaire.
4. L'oculaire standard peut être remplacé par d'autres oculaires en option (pour des grossissements plus faibles ou plus puissants) en inversant la procédure de l'étape 3 ci-dessus.

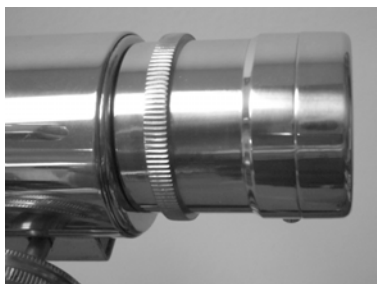


Figure 2-18



Figure 2-19



Figure 2-20

Notions fondamentales sur les télescopes

Un télescope est un instrument qui collecte et focalise la lumière. La manière dont la lumière est focalisée est déterminée par le type de modèle optique. Le modèle optique des télescopes de type réfracteur repose sur l'utilisation de lentilles.

Mis au point au début du XVII^{ème} siècle, le réfracteur est le plus ancien modèle de télescope. Son nom provient de la méthode qu'il utilise pour faire converger les rayons lumineux incidents. Le réfracteur, ou lunette, dispose d'une lentille pour courber ou réfléchir les rayons lumineux incidents, d'où son nom (voir Figure 3-1). Les premiers modèles étaient composés de lentilles à un seul élément. Toutefois, la lentille unique a pour inconvénient de fonctionner comme un prisme et de répartir la lumière dans les différentes couleurs de l'arc-en-ciel, un phénomène connu sous le nom d'aberration chromatique. Pour pallier ce problème, une lentille à deux éléments, connue sous le nom d'achromate, a été introduite. Chaque élément possède un indice de réfraction différent permettant à deux longueurs d'ondes de lumière différentes de converger sur un même point. La plupart des lentilles à deux éléments, généralement faites de verres en crown et en flint, sont corrigées pour les lumières rouges et vertes. Il est possible de faire converger la lumière bleue sur un point légèrement différent.

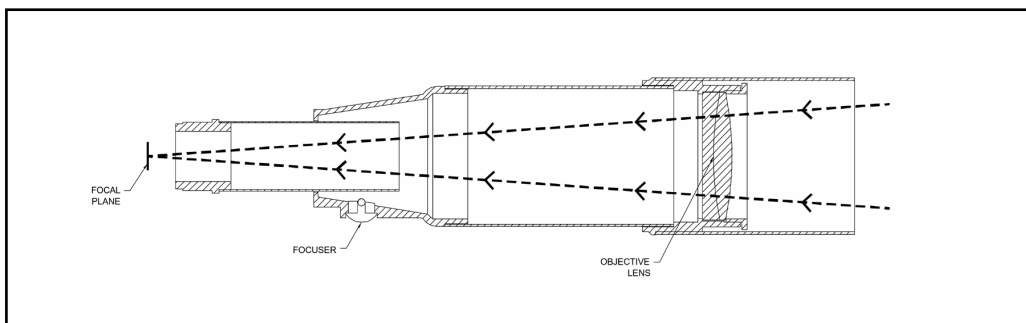


Figure 3-1

Vue en coupe de la trajectoire de la lumière dans le modèle optique de type réfracteur

Mise au point

Pour l'Ambassador de 80 mm, il suffit de tourner le bouton de mise au point (situé sur l'avant du renvoi coudé – voir Figure 3-2). Tournez ce bouton dans le sens des aiguilles d'une montre pour faire une mise au point sur un objet plus éloigné de vous que celui que vous êtes en train d'observer. Tournez le bouton dans le sens inverse des aiguilles d'une montre pour faire la mise au point sur un objet plus proche de vous que celui que vous êtes en train d'observer.

Pour l'Ambassador de 50 mm, il suffit de tourner la grosse bague moletée illustrée en Figure 3-3. En tournant la bague de mise au point dans le sens inverse des aiguilles d'une montre, vous pouvez faire une mise au point sur un objet plus proche que celui que vous êtes en train d'observer. Tournez la bague de mise au point dans le sens des aiguilles d'une montre pour faire une mise au point sur un objet plus éloigné de vous que celui que vous êtes en train d'observer. N'oubliez pas de retirer le cache situé sur l'avant de l'objectif avant d'observer avec le télescope.

Remarque : si vous portez des lentilles correctrices (et plus particulièrement des lunettes), il peut s'avérer utile de les retirer avant d'effectuer des observations au moyen d'un télescope. Si vous êtes astigmatique, vous devez porter vos lentilles correctrices en permanence.

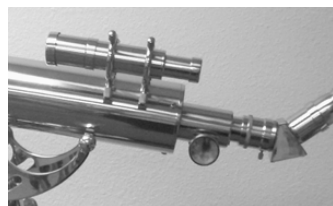


Figure 3-2



Figure 3-3

Calcul du grossissement

L'Ambassador 50AZ possède un oculaire fixe d'un grossissement (puissance) de 16. Ce modèle a été conçu pour des observations terrestres et son grossissement convient à une utilisation assez générale.

L'Ambassador 80AZ est livré avec un oculaire standard de 25 mm ayant un grossissement (puissance) de 32. Vous pouvez acheter des oculaires en option (sans fini en laiton) pour obtenir des grossissement plus importants ou plus faibles. Consultez le site web de Celestron pour connaître les oculaires disponibles.

Il est possible de modifier la puissance du télescope de 80 mm en changeant simplement d'oculaire. Pour déterminer le grossissement de votre télescope, il suffit de diviser la distance focale du télescope par la distance focale de l'oculaire utilisé. L'équation est la suivante :

$$\text{Grossissement} = \frac{\text{Distance focale du télescope (mm)}}{\text{Distance focale de l'oculaire (mm)}}$$

Supposons, par exemple, que vous utilisiez l'oculaire de 25 mm livré avec votre télescope. Pour déterminer le grossissement, il suffit de diviser la distance focale du télescope (à titre d'exemple, l'Ambassador 80AZ possède une distance focale de 800 mm) par la distance focale de l'oculaire, soit 25 mm. 800 divisé par 25 équivaut à un grossissement de 32.

Bien que la puissance soit réglable, tous les instruments d'observation sont limités à un grossissement maximal utile pour un ciel ordinaire. En règle générale, on utilise un grossissement de 60 pour chaque pouce (25 mm) d'ouverture. À titre d'exemple, le diamètre de l'Ambassador 80AZ est de 80 mm (3,1 po). La multiplication de 3,1 par 60 donne un grossissement maximal utile égal à 186. Bien qu'il s'agisse là du grossissement maximum utile, la plupart des observations sont effectuées avec des grossissements moins importants.

Remarque concernant l'utilisation de grossissements importants – Les grossissements importants sont utilisés principalement pour les observations lunaires et parfois planétaires pour lesquelles il est possible d'agrandir considérablement l'image. N'oubliez pas toutefois que le contraste et la luminosité seront très faibles en raison de l'importance du grossissement. Pour des images plus lumineuses offrant les meilleurs contrastes possibles, utilisez de faibles grossissements.

Conseils généraux d'observation

L'utilisation d'un instrument optique nécessite la connaissance de certains éléments de manière à obtenir la meilleure qualité d'image possible.

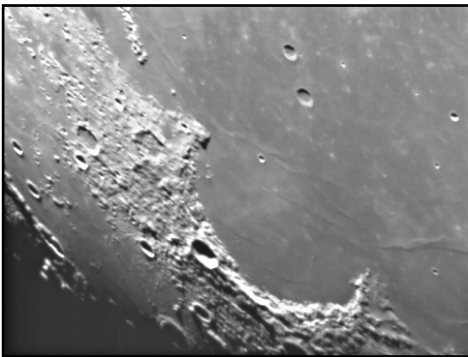
- Ne regardez jamais à travers une vitre. Les vitres des fenêtres ménagères contiennent des défauts optiques et l'épaisseur varie ainsi d'un point à un autre de la vitre. Ces irrégularités risquent d'affecter la capacité de mise au point de votre télescope. Dans la plupart des cas, vous ne parviendrez pas à obtenir une image parfaitement nette et vous risquez même parfois d'avoir une image double.
- Ne jamais regarder au-delà ou par-dessus des objets produisant des vagues de chaleur, notamment les parkings en asphalte pendant les jours d'été particulièrement chauds, ou encore les toitures des bâtiments.
- Les ciels brumeux, le brouillard et la brume risquent de créer des difficultés de mise au point en observation terrestre. Les détails sont nettement moins visibles avec ce type de conditions.
- Si vous portez des lentilles correctrices (et plus particulièrement des lunettes), il peut s'avérer utile de les retirer avant d'effectuer des observations au moyen d'un oculaire fixé au télescope. Si vous êtes astigmat, vous devez porter vos lentilles correctrices en permanence.

CELESTRON **Observation céleste**

Les télescopes Ambassador sont destinés essentiellement à l'observation terrestre. Toutefois, si vous souhaitez vous tourner vers le ciel, vous pourrez observer la Lune et les planètes assez facilement. Si vous souhaitez repérer (en particulier avec le modèle de 80 mm) certains objets du ciel profond (galaxies, nébuleuses ou amas), il vous faudra les chercher en faisant du « Star hopping ». Le Star hopping est une technique qui vous aide à repérer des objets du ciel profond. Vous trouverez sur le web diverses informations vous expliquant comment procéder pour cela.

L'une des limites à vos observations astronomiques vient du champ de vision limité du ciel observable qu'ont les télescopes Ambassador (il n'est pas possible d'observer des objets à moins de 30° du zénith avec le modèle de 50 mm et de 45° environ avec le modèle de 80 mm). Cette limite est due à la conception mécanique classique de la monture altazimutale.

Observation de la Lune



Il est souvent tentant de regarder la Lune lorsqu'elle est pleine. C'est le moment où la face visible est alors intégralement éclairée et où la luminosité peut s'avérer trop intense. De plus, il y a peu ou pas de contraste durant cette phase.

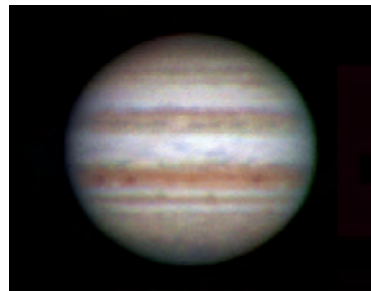
Les phases partielles de la Lune constituent l'un des moments privilégiés de l'observation lunaire (autour du premier ou du troisième quartier). Les ombres allongées révèlent toute une myriade de détails de la surface lunaire. À faible puissance, vous pouvez distinguer la majeure partie du disque lunaire. Utilisez des oculaires (en option) d'une puissance (grossissement) supérieure avec le modèle de 80 mm pour faire le point sur une zone plus limitée.

Conseils d'observation lunaire

Pour augmenter le contraste et faire ressortir les détails de la surface lunaire, utilisez des filtres en option. Un filtre jaune améliore bien le contraste, alors qu'un filtre de densité neutre ou un filtre polarisant réduit la luminosité générale de la surface et les reflets.

Observation des planètes

Les cinq planètes visibles à l'œil nu constituent d'autres cibles fascinantes. Vous pouvez apercevoir Vénus traverser des phases semblables à celles de la Lune. Mars révèle parfois une myriade de détails relatifs à sa surface et l'une de ses calottes polaires, voire les deux. Vous pourrez également observer les ceintures nuageuses de Jupiter et la Grande Tache Rouge (si elle est visible au moment de l'observation). De plus, vous pourrez également voir les lunes de Jupiter en orbite autour de la planète géante. Saturne et ses magnifiques anneaux sont facilement visibles à puissance moyenne.



Conseils d'observation des planètes

- N'oubliez pas que les conditions atmosphériques constituent habituellement le facteur déterminant de la quantité de détails visibles. Par conséquent, évitez d'observer les planètes lorsqu'elles sont basses sur la ligne d'horizon ou lorsqu'elles sont directement au-dessus d'une source de chaleur rayonnante, comme un toit ou une cheminée.
- Pour augmenter le contraste et faire ressortir les détails de la surface des planètes, essayez d'utiliser les filtres d'oculaire Celestron (en option).



CELESTRON

Entretien du télescope

Bien que votre télescope n'exige qu'un entretien minimum, certaines précautions sont nécessaires pour garantir le fonctionnement optimum de cet instrument.

Entretien et nettoyage des pièces mécaniques

Pour préserver l'aspect net et brillant du fini en laiton, utilisez un produit de polissage spécial laiton. Pour le bois du trépied, utilisez une cire pour meubles. Suivez le mode d'emploi fourni avec ces produits.

Entretien et nettoyage des éléments optiques

Il est possible que des traces de poussière et/ou d'humidité s'accumulent de temps à autre sur la lentille de votre télescope. Veillez à prendre les précautions qui s'imposent lors du nettoyage de l'instrument de manière à ne pas endommager les éléments optiques.

Si vous remarquez la présence de poussière sur l'objectif, vous pouvez l'éliminer avec une brosse (en poils de chameau) ou encore avec une cannette d'air pressurisé. Vaporisez pendant deux à quatre secondes en inclinant la cannette par rapport à la surface du verre. Utilisez ensuite une solution de nettoyage optique et un mouchoir en papier blanc pour retirer toute trace de résidu. Versez une petite quantité de solution sur le mouchoir, puis frottez les éléments optiques. Effectuez des mouvements légers, en partant du centre de l'objectif (ou du miroir) et en allant vers l'extérieur. **NE PAS effectuer de mouvements circulaires en frottant !**

Vous pouvez utiliser un nettoyant pour objectifs du commerce ou encore fabriquer votre propre produit. Il est possible d'obtenir une solution de nettoyage tout à fait adaptée avec de l'alcool isopropylique et de l'eau distillée. Cette solution doit être composée de 60 % d'alcool isopropylique et 40 % d'eau distillée. Vous pouvez également utiliser du produit à vaisselle dilué dans de l'eau (quelques gouttes par litre d'eau).

Pour éviter d'avoir à nettoyer votre télescope trop souvent, n'oubliez pas de remettre les caches sur toutes les lentilles après utilisation. Étant donné que les cellules ne sont PAS hermétiques, les caches doivent être replacés sur les ouvertures lorsque l'instrument n'est pas utilisé. Ceci permet de limiter l'infiltration du tube optique par tout type de contaminant. Les réglages et nettoyages internes doivent être confiés impérativement au service après-vente de Celestron. Si votre télescope nécessite un nettoyage interne, veuillez contacter l'usine pour obtenir un numéro de réexpédition et un devis.

SPÉCIFICATIONS DE L'AMBASSADOR

Spécifications	Modèle n° 21033	Modèle n° 21034
	Ambassador 50AZ	Ambassador 80AZ
Conception optique	Lunette	Lunette
Ouverture	50 mm (2,0 po)	80 mm (3,1 po)
Distance focale	360 mm	800 mm
Rapport focal	f/7,2	f/10,0
Revêtements optiques	Entièrement traité	Entièrement traité
Chercheur	s.o.	Redresseur d'images 6x30
Redresseur à 90°	s.o.	Redresseur d'images 45° 31 mm (1,25 po)
Oculaires	H22 mm (16x) Intégré	P25 mm 31 mm (1,25 po) (32x)
Champ de vision apparent – avec oculaire standard	25°	45°
Champ de vision angulaire avec oculaire standard	1,6°	1,4°
Champ de vision linéaire avec oculaire standard - mètres à 1000 m / pi à 1000 verges	28/84	25/74
Mise au point rapprochée -- mètres/pieds	15/50	31/100
Monture	Altazimutale	Altazimutale
Verrouillage de l'altitude	oui	oui
Bouton de blocage de l'azimut	oui	oui
Longueur du tube optique	61cm (24 po)	84 cm (33 po)
Poids du télescope – kilos/livres	5,7/12,5	12,9/28,5
Remarque : Les spécifications sont sujettes à des changements sans notification préalable.		



Telescopi d'ottone Serie Ambassador™

MANUALE DI ISTRUZIONI

- *Ambassador 50AZ N. cat. 21033*
- *Ambassador 80AZ N. cat. 21034*

Indice analitico

INTRODUZIONE.....	3
ASSEMBLAGGIO	6
Approntamento del treppiedi	6
Collegamento del telescopio e della montatura al treppiedi	7
Spostamento manuale del telescopio	8
Installazione e allineamento del cannocchiale cercatore – modello da 80 mm ..	8
Instalazione del diagonale e dell’oculare – modello da 80 mm	9
NOZIONI BASILARI SUL TELESCOPIO	10
Messa a fuoco.....	10
Calcolo dell’ingrandimento.....	11
Suggerimenti generali per l’osservazione	11
OSSERVAZIONI CELESTI.....	12
Osservazione della Luna	12
Osservazione dei pianeti	12
MANUTENZIONE DEL TELESCOPIO	13
Cura e pulizia delle parti meccaniche	13
Cura e pulizia dell’ottica	13
DATI TECNICI DEI TELESCOPI AMBASSADOR.....	13



Congratulazioni per il vostro acquisto di un telescopio Ambassador. I telescopi della serie Ambassador sono realizzati con materiali della più alta qualità per assicurarne la stabilità e la durata, rendendoli telescopi che vi consentiranno di divertirvi per tutta la loro durata utile, con una manutenzione minima.

Questi telescopi sono concepiti per clienti dai gusti raffinati. La finitura in ottone della Serie Ambassador, unita al mogano usato per il treppiedi, ha lo scopo di rendere il telescopio un elemento decorativo a casa, in ufficio o in qualsiasi luogo si desideri mettere in evidenza il suo stile d'antiquariato. Inoltre, questi telescopi sono ideali per le osservazioni terrestri.

I telescopi Ambassador sono coperti da una garanzia limitata di due anni. Per i dettagli, consultate il nostro sito Web all'indirizzo www.celestron.com

Ecco alcune delle caratteristiche standard dell'Ambassador.

- Elementi ottici in vetro completamente rivestiti, per offrire immagini chiare e nitide.
- Tubo ottico d'ottone, con raccordi d'ottone. Si noti che piccole imperfezioni superficiali sono normali con questo metallo.
- Montatura rigida altazimutale a funzionamento fluido che permette di puntare facilmente il telescopio sugli oggetti individuati.
- Vengono forniti accessori standard per le osservazioni terrestri.
- Può essere usato anche per osservazioni astronomiche dilettantistiche.

Il telescopio è stato concepito per offrirvi anni di osservazioni divertenti e gratificanti. Prima di usare il telescopio, occorre tuttavia prendere in considerazione alcune avvertenze che possono garantire la vostra sicurezza e proteggere l'apparecchiatura.

Avvertenze



- **Non guardare mai direttamente il Sole ad occhio nudo né con il telescopio (a meno che non disponiate dell'apposito filtro solare), onde evitare danni permanenti e irreversibili agli occhi.**
- **Non usate mai il telescopio per proiettare un'immagine del Sole su qualsiasi superficie. Un surriscaldamento interno può danneggiare il telescopio e qualsiasi accessorio ad esso collegato.**
- **Non usate mai un filtro solare per oculare né un prisma di Herschel. Il surriscaldamento interno del telescopio può causare l'incrinatura o la rottura di questi dispositivi, permettendo alla luce solare non filtrata di penetrare e raggiungere l'occhio.**
- **Non lasciate il telescopio senza supervisione, sia quando sono presenti bambini che quando sono presenti adulti che potrebbero non conoscere le giuste procedure operative del telescopio.**

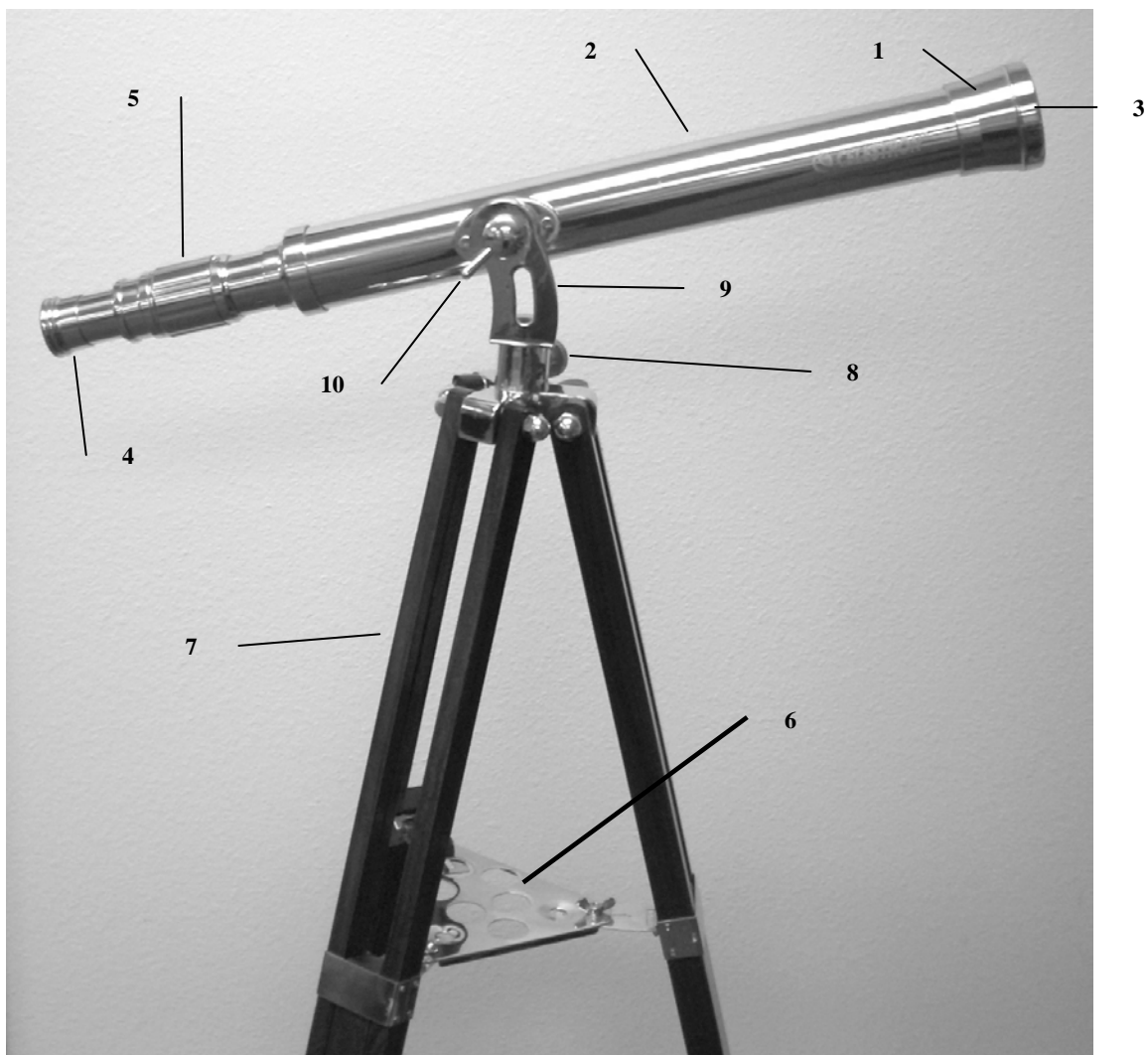


Figura 1-1 Rifrattore 50AZ Ambassador

1.	Lente dell'obiettivo	6.	Vassoio portaccessori/supporto del treppiedi
2.	Tubo ottico del telescopio	7.	Treppiedi (3 gambe)
3.	Cappuccio della lente	8.	Manopola di bloccaggio altazimutale
4.	Oculare	9.	Montatura altazimutale
5.	Anello di messa a fuoco	10.	Blocco dell'altezza

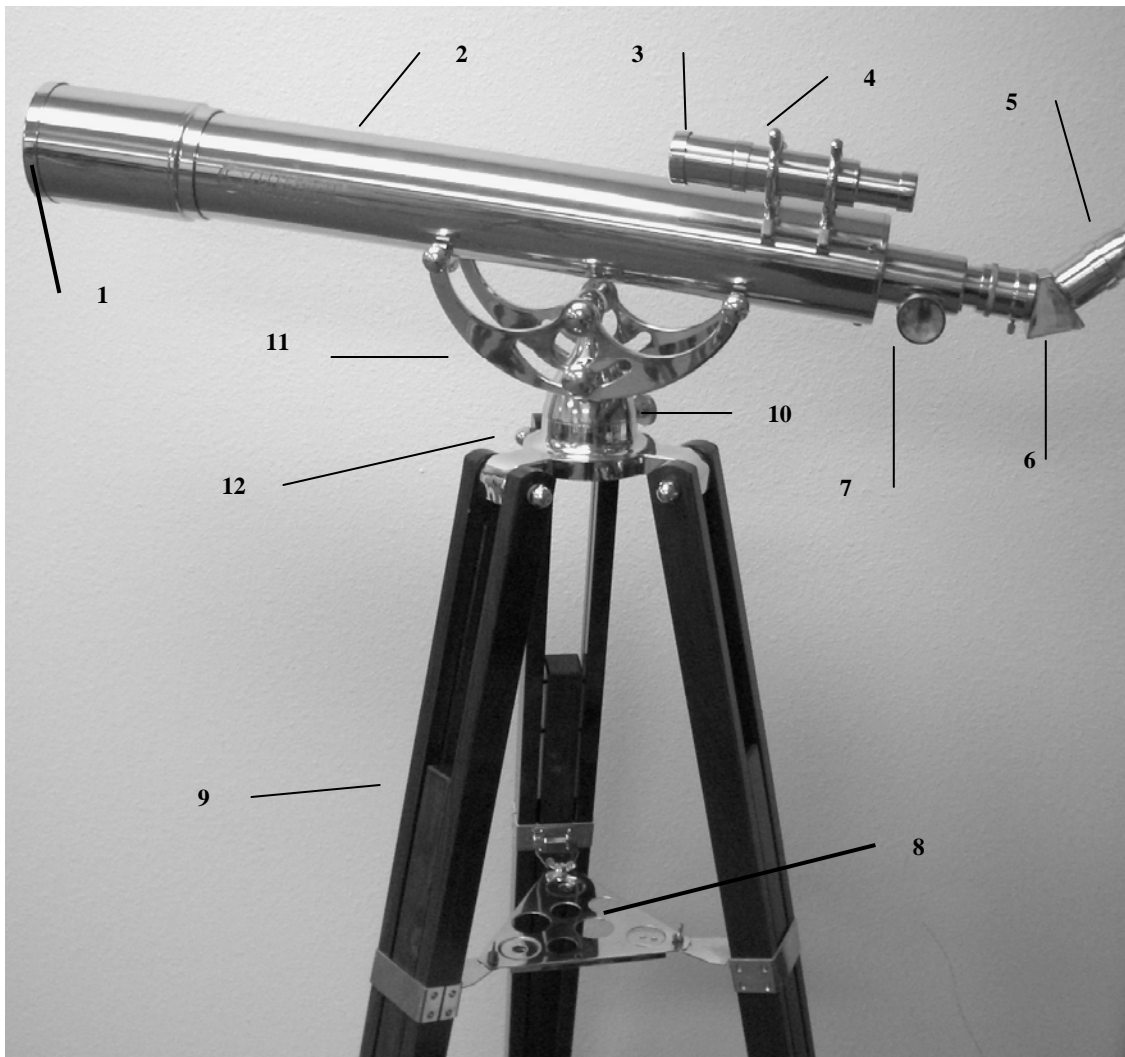


Figura 1-2 Rifrattore 80AZ Ambassador

1.	Lente dell'obiettivo	7.	Manopola di messa a fuoco
2.	Tubo ottico del telescopio	8.	Vassoio portaccessori/supporto del treppiedi
3.	Cannocchiale cercatore	9.	Treppiedi (3 gambe)
4.	Staffa del cannocchiale cercatore	10.	Manopola di bloccaggio altazimutale
5.	Oculare	11.	Montatura altazimutale
6.	Diagonale raddrizzatore d'immagine	12.	Blocco dell'altezza

CELESTRON **Assemblaggio**

Questa sezione descrive le istruzioni di assemblaggio del telescopio Ambassador. Poiché alcuni componenti sono pesanti (specialmente nel modello da 80 mm), e occorre fare attenzione a non graffiare la finitura d'ottone, si suggerisce di assemblare il telescopio con l'aiuto di un'altra persona. I vari componenti del telescopio sono avvolti in materiale protettivo: fare attenzione quando si rimuovono dal loro involucro.

Ogni telescopio Ambassador viene fornito in una scatola. I componenti contenuti nella scatola sono, per tutti i modelli di telescopio, tubo ottico con montatura altazimutale collegata, treppiedi a tre gambe, vassoio portaccessori/supporto del treppiedi e manuale di istruzioni.

Inoltre, il modello da 80 mm dispone di oculare, diagonale raddrizzatore dell'immagine, cannocchiale cercatore con raddrizzamento dell'immagine e staffe del cannocchiale cercatore con la ferramenta di montaggio correlata.

Occorreranno i seguenti utensili: un piccolo cacciavite per viti con taglio a croce e due piccole chiavi regolabili universali o chiavi fisse doppie/a stella da 16 mm (5/8 pollici).

Approntamento del treppiedi

1. Rimuovere le tre gambe del treppiedi - Figura 2-1 – dalla scatola. Le gambe del telescopio da 50 mm sono simili a quelle del modello da 80 mm, ma sono leggermente più corte e meno larghe.
2. Allentare (girando in senso antiorario) la manopola di bloccaggio della gamba del treppiedi presso la parte terminale del treppiedi – Figura 2-2 – quindi estrarre di circa 254 mm (10 pollici) il pezzo di legno centrale, cosa che renderà più facile l'assemblaggio. Poi serrare la manopola di bloccaggio della gamba del treppiedi. Eseguire lo stesso procedimento per le altre due gambe del treppiedi. La Figura 2-3 mostra l'aspetto della sommità della gamba del treppiedi.
3. Ora occorre installare il vassoio portaccessori/supporto del treppiedi sulle cerniere delle gambe del treppiedi. La Figura 2-4 mostra l'immagine della cerniera di una gamba del treppiedi. Si noti che la cerniera da usare per il modello da 80 mm (in figura) presenta cinque fori nell'illustrazione, mentre quella del modello da 50 mm presenta una lunga fessura. La cerniera sarà rivolta verso l'interno in tutte e tre le gambe.
4. Il vassoio portaccessori viene illustrato nella Figura 2-5 insieme a tre dadi ad alette e a tre viti con le rispettive rondelle. L'immagine mostra le viti e le rondelle rimosse dai dadi ad alette (i dadi arrivano con viti e rondelle collegati perché non vengano persi, ma per l'assemblaggio devono essere rimossi).
5. Il vassoio portaccessori deve essere rivolto verso l'alto, come illustrato, e i dadi ad alette devono trovarsi in cima con la vite (con rondella collegata) avvitata nei dadi ad alette dal fondo del vassoio portaccessori. Occorre inserire inizialmente i dadi ad alette e le viti/rondelle nel secondo foro sul vassoio portaccessori (nel modello da 80 mm) dalla gamba del treppiedi. Nel modello da 50 mm, fissare le viti/rondelle a metà circa della fessura presente sulla cerniera del treppiedi. Se lo si desidera, successivamente si può cambiare la posizione di montaggio del vassoio portaccessori sulla cerniera.



Figura 2-1

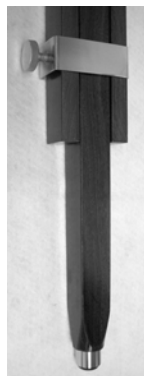


Figura 2-2



Figura 2-3



Figura 2-4

6. La Figura 2-6 mostra una cerniera della gamba del treppiedi pronta per il collegamento al vassoio portaccessori. Inizialmente si può serrare a mano la vite con la rondella, ma quando tutte e tre le cerniere sono fissate al vassoio occorre serrare le viti con un cacciavite per viti con taglio a croce, tenendo fermi al tempo stesso con l'altra mano i dadi ad alette.
7. Una volta che le cerniere siano fissate e serrate sul vassoio portaccessori, questo avrà l'aspetto mostrato nella Figura 2-7.



Figura 2-5

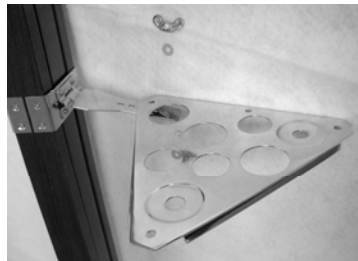


Figura 2-6



Figura 2-7

8. Si possono estendere le gambe del treppiedi fino alla lunghezza desiderata. L'altezza più bassa del treppiedi nel modello da 50 mm è di circa 89 cm (35 pollici), ma le gambe si possono estendere fino a raggiungere un'altezza di circa 150 cm (60 pollici). L'altezza più bassa del treppiedi nel modello da 80 mm è di circa 109 cm (43 pollici), ma le gambe si possono estendere fino a raggiungere un'altezza di circa 183 cm (72 pollici). Per regolare l'altezza, si allentano le manopole di bloccaggio nella parte inferiore di ciascuna gamba del treppiedi (Figura 2-2) girandole in senso antiorario, e poi si estraggono le gambe fino all'altezza desiderata; quindi si serrano bene le manopole.
9. L'altezza alla quale il treppiedi risulterà più rigido e stabile sarà l'altezza minima, ma occorrerà regolare l'altezza in base alla comodità d'uso.
10. Sul modello da 80 mm si possono usare i fori presenti sul vassoio portaccessori per disporre gli oculari addizionali (opzionali) da 1,25 pollici.

Collegamento del telescopio e della montatura al treppiedi

Il tubo ottico del telescopio arriva collegato alla montatura altazimutale. Questo gruppo verrà ora collegato al treppiedi che si è appena assemblato. È a questo punto che risulta comodo essere in due a installare il telescopio, in quanto le gambe del treppiedi sono maneggevoli e possono spostarsi facilmente quando si allineano i bulloni che devono passare fra la sommità delle gambe del treppiedi e attraverso la parte inferiore della montatura. Le immagini mostrano il modello da 80 mm, ma il modello da 50 mm è simile se non viene indicato altrimenti.



Figura 2-8



Figura 2-9



Figura 2-10



Figura 2-11

1. Posare al suolo le gambe del treppiedi.
2. Disporre il tubo ottico e la montatura fra due delle gambe del treppiedi, come mostrato alla Figura 2-8.
3. I fori della montatura (sul fondo – Figura 2-9) resteranno fra le gambe del treppiedi e verranno collegati con il gruppo del bullone delle gambe del treppiedi – vedere la Figura 2-10.
4. Togliere il bullone e le rondelle dal gruppo bullone/rondella di ciascuna gamba. Si noti che il modello da 50 mm non ha rondelle sull'interno delle gambe del treppiedi.
5. Mettere un'aletta della montatura nel mezzo di una gamba del treppiedi. Ora inserire uno dei bulloni con rondelle attraverso un lato della gamba e attraverso l'aletta della montatura, facendolo uscire dall'altro lato della gamba. Assicurarsi che tutte le rondelle siano nella stessa posizione in cui si trovavano originariamente sulle gambe del treppiedi. Ora, serrare i bulloni con le chiavi apposite.
6. Quando tutti i gruppi dei bulloni delle gambe del treppiedi sono fissati alla montatura, quest'ultima apparirà come nella Figura 2-11.

Spostamento manuale del telescopio

La montatura Ambassador è facile da spostare ovunque si voglia puntare il telescopio.

Il movimento verticale (altezza) è controllato dal blocco dell'altezza (Figura 2-12). Allentare il blocco dell'altezza girandolo in senso antiorario e, quando si trova sul punto desiderato, serrarlo girandolo in senso orario.

Nota: nel modello da 80 mm, occorre trovare con il cannocchiale cercatore l'oggetto che si vuole osservare prima di serrare completamente il blocco dell'altezza.



Figura 2-13

Il movimento laterale (azimut) è controllato dalla manopola di bloccaggio azimutale (Figura 2-13). Allentare la manopola di bloccaggio azimutale girandola in senso antiorario, e quando si trova sulla posizione desiderata serrarla per bloccarla in posizione.



Figura 2-12

Quando entrambe le manopole sono allentate, si possono trovare facilmente gli oggetti; una volta individuati gli oggetti, si bloccano i comandi. Le immagini mostrate si riferiscono al modello da 50 mm, ma sono simili per quello da 80 mm.

Nota: se il movimento verticale (altezza) pare troppo rigido o troppo allentato, si può regolare la tensione. Per farlo, si possono serrare o allentare le manopole rotonde (presenti su ciascun lato della montatura, direttamente opposte l'una rispetto all'altra). Assicurarsi che gli elementi di bloccaggio su entrambi gli assi siano ben serrati in partenza. Tenere in mano contemporaneamente entrambe le manopole rotonde e girarle leggermente per allentarle o serrarle. Quindi rilasciare il blocco dell'altitudine e controllare la tensione. Continuare a regolare le manopole fino a quando la tensione non risulta soddisfacente. La manopola rotonda si trova direttamente sopra il blocco dell'altezza, come illustrato nella Figura 2-12a.



Figura 2-12a

Installazione e allineamento del cannocchiale cercatore – modello da 80 mm

Un cannocchiale cercatore altro non è che un piccolissimo telescopio montato sul telescopio principale, che facilita all'utente l'individuazione degli oggetti.

Per installare il cannocchiale cercatore, procedere nel modo seguente.

1. La Figura 2-14 mostra il cannocchiale cercatore (in cima) e le relative staffe con viti di montaggio.
2. Montare le staffe sui fori presenti sul tubo ottico (Figura 2-15) con le viti zigrinate, e serrare. Le staffe montate sono illustrate alla Figura 2-16.
3. Togliere i cappucci delle lenti da entrambe le estremità del cannocchiale cercatore.
4. Mettere il cannocchiale cercatore all'interno delle staffe di montaggio, con la lente di diametro più grande (l'estremità dell'obiettivo) rivolta verso la parte anteriore (lente dell'obiettivo) del tubo ottico. Occorrerà far retrocedere le viti nelle staffe in modo che il cannocchiale cercatore possa entrare al loro interno.
5. Il cannocchiale cercatore dovrebbe entrare nelle staffe dove le viti zigrinate possono essere serrate all'interno delle piccole scanalature presenti nel cannocchiale stesso. Ora occorre serrare a mano le viti zigrinate.

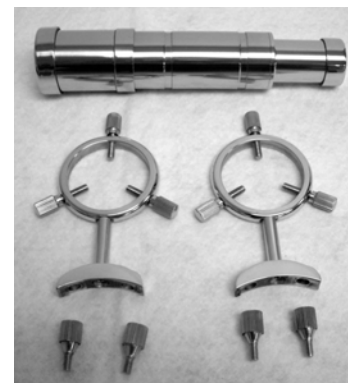


Figura 2-14



Figura 2-15



Figura 2-16



Figura 2-17

Per allineare il cannocchiale cercatore al telescopio principale, fare quanto segue.

1. Togliere il cappuccio della lente anteriore del telescopio ed entrambi i cappucci del cannocchiale cercatore. Durante il giorno, individuare un oggetto distante (ad almeno 0,4 km di distanza) e centrarlo nel telescopio principale.
2. Guardare attraverso il cannocchiale cercatore (dall'estremità con oculare del cannocchiale cercatore che presenta la lente di diametro più piccolo) e prendere nota della posizione dello stesso oggetto.
3. Senza spostare il telescopio principale, girare le viti zigrinate delle staffe del cannocchiale cercatore, fino a quando il mirino del cannocchiale non risulta centrato sull'oggetto scelto con il telescopio principale. L'ottenimento di una centratura adeguata potrebbe richiedere qualche tentativo, mentre si allenta una e si serra un'altra delle viti zigrinate di ciascuna staffa.
4. Se l'immagine attraverso il cannocchiale cercatore non è nitida (fuori fuoco) occorrerà regolare il cannocchiale cercatore in modo da ottenere una messa a fuoco nitida quando si guarda attraverso di esso. Individuare l'anello sul cannocchiale cercatore (si trova fra la lente dell'obiettivo e la staffa del cannocchiale) e girarlo in senso antiorario per allentarlo di alcuni giri. Poi girare l'obiettivo anteriore in dentro o in fuori finché non si ottiene una messa a fuoco nitida. Infine serrare l'anello.

Installazione del diagonale e dell'oculare – modello da 80 mm

Il diagonale è un prisma che devia la luce ad un angolo di 45° rispetto al percorso di luce del telescopio. Questo permette all'utente di eseguire le osservazioni da una posizione più comoda rispetto a quella che occuperebbe se dovesse guardare direttamente attraverso il telescopio. Questo diagonale è un modello raddrizzatore d'immagine che corregge l'immagine in modo che risulti diritta e orientata correttamente da sinistra a destra, facilitando le osservazioni terrestri. Inoltre, il diagonale può essere ruotato in qualsiasi posizione che risulti più comoda per l'utilizzatore. Per installare il diagonale e l'oculare, effettuare le seguenti operazioni.

1. Togliere il cappuccio situato sulla parte posteriore del telescopio svitandolo in senso antiorario – Figura 2-18.
2. Inserire il piccolo barilotto del diagonale nell'apertura posteriore del telescopio. Prima dell'installazione, assicurarsi che la vite zigrinata sul telescopio non sporga nell'apertura. Una volta inserito il diagonale, serrare la vite zigrinata per mantenerlo in posizione – Figura 2-19.
3. Mettere il barilotto dell'oculare nel diagonale e serrare la vite zigrinata del diagonale per tenere in posizione l'oculare e serrare la vite zigrinata – Figura 2-20. Ripetiamo, prima di inserire l'oculare assicurarsi che la vite zigrinata non sporga nel diagonale.
4. L'oculare standard può essere sostituito con altri oculari opzionali (per potenze inferiori o superiori) eseguendo a ritroso la procedura del passo 3 di cui sopra.

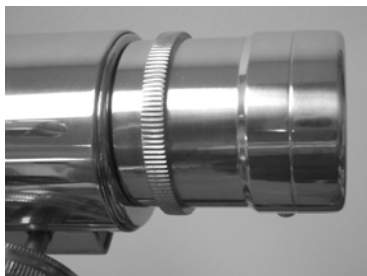


Figura 2-18



Figura 2-19



Figura 2-20

Nozioni basilari sul telescopio

Il telescopio è uno strumento che raccoglie e mette a fuoco la luce. La natura del modello ottico usato determina il modo in cui la luce viene focalizzata. Il telescopio rifrattore impiega lenti nella sua configurazione ottica.

Sviluppato agli inizi del 1600, il rifrattore rappresenta il modello più antico di telescopio. Il suo nome deriva dal metodo che impiega per mettere a fuoco i raggi di luce in entrata. Il rifrattore usa una lente per curvare o rifrangere i raggi di luce in entrata: da qui il suo nome (vedere la Figura 3-1). Nei primi modelli venivano usate lenti ad elemento singolo. La lente singola tuttavia agisce come un prisma e scompone la luce nei colori dell'arcobaleno, un fenomeno noto come aberrazione cromatica. Per ovviare a questo problema, fu introdotta una lente a due elementi, nota come lente acromatica. Ciascun elemento ha un indice di rifrazione diverso, e questo permette di focalizzare nello stesso punto due lunghezze d'onda di luce diverse. La maggior parte delle lenti a due elementi, di solito realizzate con vetro Crown e vetro Flint, è corretta per la luce rossa e verde. La luce azzurra può ancora essere focalizzata in un punto leggermente diverso.

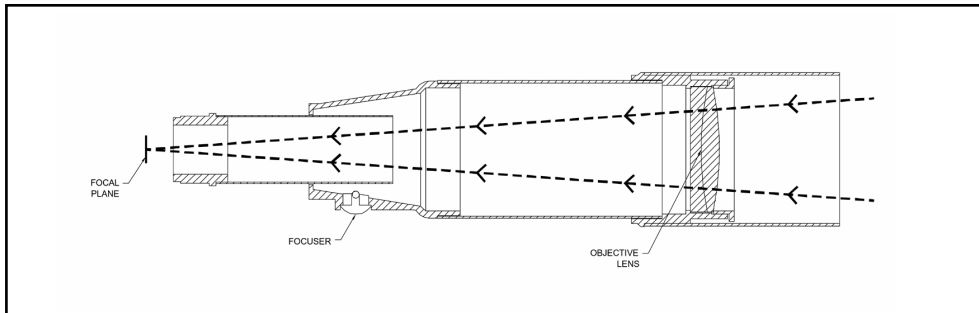


Figura 3-1
Vista in sezione del percorso della luce del modello ottico a rifrattore

Messa a fuoco

Per il telescopio da 80 mm Ambassador, basta girare la manopola di messa a fuoco (situata sulla parte anteriore del diagonale – vedere la Figura 3-2). Girando la manopola in senso orario si mette a fuoco un oggetto più lontano di quello che si sta attualmente osservando. Girando la manopola in senso antiorario si mette a fuoco un oggetto più vicino di quello che si sta attualmente osservando.

Per il telescopio da 50 mm Ambassador, basta girare il grosso anello zigrinato mostrato nella Figura 3-3. Ruotando l'anello di messa a fuoco in senso antiorario si mette a fuoco un oggetto più vicino di quello che si sta osservando attualmente. Girando l'anello di messa a fuoco in senso orario si mette a fuoco un oggetto più lontano di quello che si sta attualmente osservando. Ricordarsi di rimuovere il cappuccio dell'obiettivo anteriore prima di guardare attraverso il telescopio.

Nota: se si portano lenti correttive (in particolare gli occhiali da vista), si consiglia di toglierli quando si osserva con il telescopio. Se si soffre di astigmatismo, le lenti correttive vanno indossate sempre.

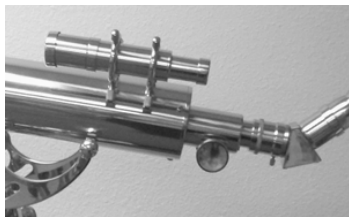


Figura 3-2



Figura 3-3

Calcolo dell'ingrandimento

Il modello 50AZ Ambassador presenta un oculare fisso con una potenza di ingrandimento di 16x. Questo modello è stato concepito per l'osservazione terrestre, e questa potenza è ideale per un uso generale.

Il modello 80AZ Ambassador ha in dotazione standard un oculare da 25 mm con una potenza di ingrandimento di 32x. Si possono acquistare oculari opzionali (non con finitura in ottone) per ottenere potenze superiori o inferiori. Presso il sito Web Celestron si troveranno tutti gli oculari disponibili.

Si può modificare la potenza del telescopio da 80 mm cambiando l'oculare. Per determinare la potenza di ingrandimento del telescopio, basta dividere la lunghezza focale del telescopio per la lunghezza focale dell'oculare usato. La formula dell'equazione è la seguente:

$$\text{Ingrandimento} = \frac{\text{Lunghezza focale del telescopio (mm)}}{\text{Lunghezza focale dell'oculare (mm)}}$$

Supponiamo per esempio che si stia usando l'oculare da 25 mm in dotazione al telescopio. Per determinare l'ingrandimento, basta dividere la lunghezza focale del telescopio (l'Ambassador 80AZ per questo esempio ha una lunghezza focale di 800 mm) per la lunghezza focale dell'oculare, ovvero 25 mm. Dividendo 800 per 25 si ottiene come risultato un ingrandimento di 32x.

Sebbene la potenza sia variabile, ogni strumento che osserva il normale cielo ha un limite al più alto ingrandimento utile. La regola generale è che la potenza 60 può essere usata per ogni pollice di apertura. Per esempio, l'Ambassador 80AZ ha un diametro di 80 mm (3,1 pollici). Moltiplicando 3,1 per 80 si ottiene un ingrandimento utile massimo pari 186. Sebbene questo sia l'ingrandimento utile massimo, le osservazioni vengono eseguite per lo più ad una bassa potenza.

Una nota sull'uso delle alte potenze – Le potenze superiori vengono usate principalmente per le osservazioni lunari e a volte planetarie, dove si può ingrandire molto l'immagine, ma occorre ricordare che il contrasto e la luminosità saranno molto bassi a causa dell'alto ingrandimento. Per ottenere le immagini più luminose con i più alti livelli di contrasto, usare le potenze inferiori.

Suggerimenti generali per l'osservazione

Quando si usa qualsiasi strumento ottico, ci sono alcune cose da ricordare per ottenere la migliore immagine possibile.

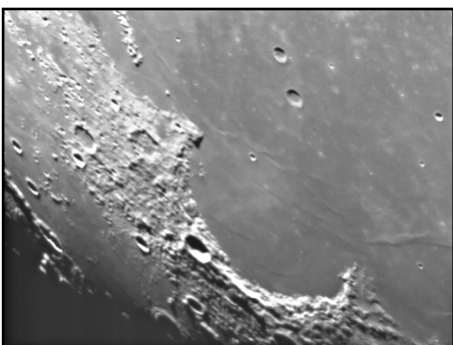
- Non guardare mai attraverso il vetro della finestra. Il vetro delle normali finestre domestiche è otticamente imperfetto, e quindi può variare in spessore da una parte all'altra della stessa finestra. Questa mancanza di omogeneità influisce sulla capacità di focalizzazione del telescopio. Nella maggior parte dei casi non si potrà ottenere un'immagine davvero nitida, e in altri casi si potrebbe addirittura ottenere un'immagine doppia.
- Non guardare mai attraverso o sopra oggetti che producono ondate di calore. Tali oggetti includono parcheggi in asfalto d'estate o tetti di edifici.
- Cieli velati, nebbia e foschia possono anch'essi rendere difficile la focalizzazione quando si eseguono osservazioni terrestri. La quantità di dettagli visibili in queste condizioni è decisamente ridotta.
- Se si portano lenti correttive (in particolare gli occhiali da vista), si consiglia di toglierli quando si osserva con un oculare collegato al telescopio. Se si soffre di astigmatismo, le lenti correttive vanno indossate sempre.

CELESTRON **Osservazioni celesti**

I telescopi Ambassador sono stati progettati principalmente per le osservazioni terrestri. Se si è interessati a esplorare il cielo, tuttavia, si possono osservare facilmente la luna ed i pianeti. Se interessa (specialmente nel caso del modello da 80 mm) individuare qualche oggetto del cielo profondo (galassie, nebulose o ammassi di stelle), occorrerà trovarli con il metodo “star hopping”. Il metodo “star hopping” è una tecnica che aiuta a individuare oggetti del cielo profondo, che si può imparare cercando le informazioni relative sul Web.

Un limite alle osservazioni astronomiche è dovuto al fatto che i telescopi Ambassador possono visualizzare una porzione limitata del cielo (non si possono osservare oggetti ad una distanza dallo zenit inferiore a circa 30° con il modello da 50 mm e circa 45° con il modello da 80 mm). Questo limite è dovuto al design meccanico d'epoca della montatura altazimutale.

Osservazione della Luna



È spesso una grande tentazione osservare la Luna quando è piena. In questa fase Lunare, la faccia che vediamo è completamente illuminata, e la sua luce può essere eccessiva. Inoltre, si può vedere un contrasto minimo o addirittura nullo.

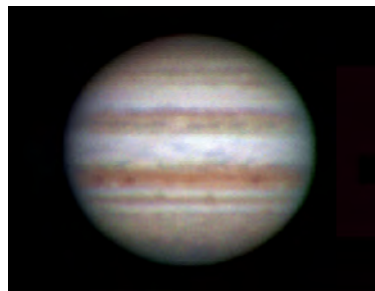
Uno dei momenti migliori per osservare la Luna è durante le sue fasi parziali (quando si trova in prossimità del suo primo o del suo terzo quarto). Lunghe ombre rivelano una quantità eccezionale di dettagli sulla superficie lunare. Ad una bassa potenza, si potrà vedere in una sola volta la maggior parte del disco lunare. Si può passare ad oculari opzionali per ottenere una potenza (ingrandimento) maggiore con il modello da 80 mm in modo da focalizzare un'area più piccola.

Suggerimenti per l'osservazione lunare

Per aumentare il contrasto e far risaltare i dettagli sulla superficie lunare, usare i filtri opzionali. Un filtro giallo funziona bene per migliorare il contrasto, mentre un filtro polarizzatore o a densità neutra riduce il riflesso e la luminosità generali della superficie.

Osservazione dei pianeti

Altri oggetti affascinanti da osservare includono i cinque pianeti visibili ad occhio nudo. Si può vedere Venere mentre passa attraverso le sue fasi simili a quelle della Luna. Marte può rivelare una miriade di dettagli della superficie ed una, se non entrambe, le sue calotte polari. Si potranno vedere le cinture di nubi di Giove ed il suo grande punto rosso (se è visibile nel momento in cui si esegue l'osservazione). Inoltre, si potranno vedere anche le lune di Giove mentre orbitano attorno al pianeta gigante. Saturno, con i suoi bellissimi anelli, è facilmente visibile ad una potenza di ingrandimento moderata.



Suggerimenti per l'osservazione dei pianeti

- Tenere presente che le condizioni atmosferiche sono di solito il fattore che limita la quantità di dettagli visibili sui pianeti. Si consiglia quindi di evitare di osservare i pianeti quando si trovano bassi sull'orizzonte o direttamente al di sopra di una superficie che irradia calore, come il tetto di un palazzo o un camino.
- Per aumentare il contrasto e far risaltare i dettagli sulla superficie dei pianeti, si consiglia di provare a usare i filtri per oculare opzionali Celestron.



Manutenzione del telescopio

Sebbene il telescopio richieda poca manutenzione, sarà bene ricordare alcune cose per assicurare le prestazioni ottimali del dispositivo.

Cura e pulizia delle parti meccaniche

Per mantenere la finitura in ottone pulita e luminosa, usare un materiale apposito per la lucidatura dell'ottone. Per il legno sul treppiedi, usare un prodotto per lucidare il mobilio. Seguire le istruzioni allegate ai materiali per la lucidatura.

Cura e pulizia dell'ottica

Occasionalmente, potrebbero accumularsi sulla lente dell'obiettivo o dell'oculare polvere e/o umidità. Va prestata un'attenzione particolare quando si pulisce qualsiasi strumento, per non danneggiarne l'ottica.

Se si è accumulata polvere sull'ottica, rimuoverla con una spazzolina (di peli di cammello) o con una lattina di aria pressurizzata. Spruzzare l'aria in posizione angolata rispetto alla superficie del vetro, per un periodo compreso fra due e quattro secondi. Usare quindi una soluzione detergente per componenti ottici ed una salvietta di carta bianca per eliminare eventuali residui restanti. Applicare la soluzione alla salvietta e poi usare la salvietta di carta per pulire l'ottica. I passaggi vanno applicati con una leggera pressione e devono andare dal centro della lente (o dello specchio) verso l'esterno. **NON strofinare con movimenti circolari!**

Si può usare un detergente per lenti disponibile in commercio o si può preparare la propria miscela. Una buona soluzione detergente è composta da alcol isopropilico miscelato con acqua distillata. Le proporzioni della soluzione dovrebbero essere per il 60% alcol isopropilico e per il 40% acqua distillata. Oppure si può usare detergente liquido per stoviglie diluito con acqua (un paio di gocce di detergente in 1 litro d'acqua).

Per ridurre al minimo l'esigenza di pulire il telescopio, rimettere al loro posto tutti i coperchi delle lenti non appena si finisce di usare il dispositivo. Poiché le celle NON sono sigillate, i coperchi vanno disposti sopra le aperture quando non si usa il telescopio. Così facendo si impedisce agli agenti contaminanti di penetrare nel tubo ottico. La pulizia e le regolazioni interne vanno eseguite solo dalla divisione Celestron addetta alle riparazioni. Se il telescopio necessita di pulizia interna, si prega di chiamare il produttore per ottenere un numero di autorizzazione alla restituzione ed una stima del prezzo richiesto per la pulizia.

DATI TECNICI DEI TELESCOPI AMBASSADOR

Specifiche	Modello n. 21033 Ambassador 50AZ	Modello n. 21034 Ambassador 80AZ
Design ottico	Rifrattore	Rifrattore
Apertura	50 mm (2,0 pollici)	80 mm (3,1 pollici)
Lunghezza focale	360 mm	800 mm
Rapporto focale	f/7,2	f/10,0
Rivestimenti ottici	Completamente rivestiti	Completamente rivestiti
Cannocchiale cercatore	N/D	Immagine dritta 6x30
Diagonale	N/D	Diagonale raddrizzatore d'immagine 45° 1,25 pollici (31 mm)
Oculari	H 22 mm (16x) incorporato	P 25 mm 1,25 pollici (31 mm) (32x)
Campo visivo apparente – con oculare standard	25°	45°
Campo visivo angolare con oculare standard	1,6°	1,4°
Campo visivo lineare con oculare standard – metri a 1000 m/piedi a 1000 iarde	28/84	25/74
Messa a fuoco minima – metri/piedi	15/50	31/100
Montatura	Altazimutale	Altazimutale
Blocco dell'altezza	Sì	Sì
Manopola di bloccaggio altazimutale	Sì	Sì
Lunghezza del tubo ottico	61 cm (24 pollici)	84 cm (33 pollici)
Peso del telescopio – chilogrammi/libbre	5,7/12,5	12,9/28,5
Nota: i dati tecnici sono soggetti a cambiamenti senza obbligo di notifica.		



Celestron
2835 Columbia Street
Torrance, CA 90503 U.S.A.
Tel. (310) 328-9560
Fax. (310) 212-5835
Website www.celestron.com

Copyright 2007 Celestron - All rights reserved.
Copyright 2007 Celestron - Alle Rechte vorbehalten.
Copyright 2007 Celestron - Todos los derechos reservados.
Copyright 2007 Celestron - Tous droits réservés.
Copyright 2008 Celestron - Tutti i diritti sono riservati.

(Products or instructions may change without notice or obligation.)
(Produkte oder Anleitung können ohne Mitteilung oder Verpflichtung geändert werden.)
(Los productos o instrucciones pueden cambiar sin notificación u obligación).
(Les produits ou instructions peuvent changer sans notification ou obligation).
(I prodotti e le istruzioni sono soggetti a cambiamenti senza obbligo di notifica.)

Item # 21041-INST
Artikel-Nr. 21041-INST
Artículo N° 21041-INST
Article n° 21041-INST
Articolo n. 21041-INST

Printed in China
Gedruckt in China
Impreso en China
Imprimé en Chine
Stampato in Cina

\$10.00
01-09
REV. 1 071808